

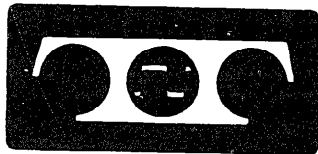
TM-11-5815-365-14-4-3  
NAVELEX 0967-426-2030  
TO 31W4-2FG-1351-4-3

**BULLETIN 302B  
VOL 3 OF 3**

**TECHNICAL MANUAL  
MASTER AND SUPPLEMENTARY  
HIGH SPEED TAPE SENDER,  
AND HIGH SPEED TAPE RECEIVER  
FOR THE MULTIPLE ADDRESS  
PROCESSING SYSTEM (MAPS)**

(A MODEL)

This publication replaces all previously dated Army and Navy manuals, and the Air Force TO 31W4-2FG-1351 Vol 4 of 6 in part.



**TELETYPE®  
CORPORATION**

5655 TOUHY AVENUE, SKOKIE, ILLINOIS

MARCH 1972

TM-11-5815-365-14-4-3  
NAVELEX 0967-426-2030  
TO 31W4-2FG-1351-4-3

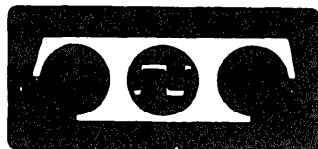
REPRINTED BY COURTESY OF THE TELETYPE CORPORATION.  
(Reprinted by FMC-98230, MARCH 1972)

**BULLETIN 302B  
VOL 3 OF 3**

**TECHNICAL MANUAL  
MASTER AND SUPPLEMENTARY  
HIGH SPEED TAPE SENDER,  
AND HIGH SPEED TAPE RECEIVER  
FOR THE MULTIPLE ADDRESS  
PROCESSING SYSTEM (MAPS)  
(A MODEL)**

This publication replaces all previously dated Army and Navy manuals, and the Air Force TO 31W4-2FG-1351 Vol 4 of 6 in part.

READER PLEASE NOTE: As of 8 September 1971, this BULLETIN consists of Five Volumes.



**TELETYPE®  
CORPORATION**

5555 TOUHY AVENUE, SKOKIE, ILLINOIS

MARCH 1972

3 0 2 B  
VOLUME 3

3 - 3

## INTRODUCTION

Bulletin 302B is a technical manual for the Master and Supplementary High Speed Tape Sender, and High Speed Tape Receiver used in the Multiple Address Processing System (MAPS).

This bulletin now consists of three volumes. Volume 1 contains the Master, Supplementary, and Receiver sections, which provides description and theory of operation, installation, troubleshooting, adjustments, removal and replacement of components, and lubrication. Volume 1 must be used in conjunction with Bulletins 279B Technical Manual High Speed Tape Punch (DRPE), and 301B High Speed Tape Reader (DX Type).

Volume 2 contains the master sender wiring diagrams, (actuals, circuit cards, and schematics). Volume 3 contains the supplementary sender, and receiver cabinet wiring diagrams, (actuals, circuit cards, and schematics).

Each volume is made up of a group of individual sections. The sections are separately identified by title and section number, and the pages are numbered consecutively, independent of other sections. The identifying nine-digit number appears on each page of the section in the upper right-hand corner of right-hand pages, and in the upper left-hand corner of left-hand pages.

To locate specific information, refer to the table of contents on the following page. Look for the name of the equipment involved in the left-hand column, the associated section title is found in the next column, and the identifying section number is found in the right-hand column.

The sections are arranged in the bulletin, in the order shown in the table of contents. Turn to page one of the indicated section where the table of contents will be **found** (except where a section is small and does not require a listing of contents).

Note: For parts ordering information refer to Bulletin 1208B.

## TABLE OF CONTENTS

<u>Equipment</u>	<u>contents</u>	<u>Section</u>	<u>Issue</u>
High Speed Tape Receiver for the Multiple Address Processing System (MAPS)	Schematic Wiring Diagrams	592-852-430TC	2*
<i>High Speed Tape Receiver for the Multiple Address Processing System (MAPS)</i>	<i>Circuit Cards</i>	592-852-431TC	2*
<i>High Speed Tape Receiver for the Multiple Address Processing System (MAPS)</i>	<i>Actual Wiring : Diagrams</i>	592-852-432TC	1**
Supplementary High Speed Tape Sender for the Multiple Address Processing System (MAPS)	Schematic Wiring Diagrams	592-851-433TC	1**
Supplementary High Speed Tape Sender for the Multiple Address Processing System (MAPS)	circuit Cards	592-851-434TC	1 * *
Supplementary High Speed Tape Sender for the Multiple Address Processing System (MAPS)	<i>Actual Wiring Diagrams</i>	592-851-435TC	1**

\* *Indicates changes.*

\*\*Indicates a new section added to this bulletin.

*Note:* **Circuit** Description information formerly in Section 592-852-430TC can now be **found** in Section 592-852-130TC, Volume 1.

**TELETYPE CORPORATION**  
**Skokie, Illinois, U.S.A.**

3-5  
 SECTION 592-852-430TC  
 Issue 2, September 1969

HIGH SPEED TAPE RECEIVER FOR THE MULTIPLE  
 ADDRESS PROCESSING SYSTEM (MAPS)  
 SCHEMATIC WIRING DIAGRAMS

1. GENERAL

1.01 This section provides schematic wiring diagram information for the high speed tape receiver, used in the multiple address processing system. It is reissued to change the title, removed circuit description (which can be found now in Section 592-852-130TC), remove preliminary designation, and change this section to the standard format. Since this is a general revision

marginal arrows that indicate changes have been omitted.

1.02 A complete listing of the schematic wiring diagrams is presented in the wiring diagram index. The location of each diagram, which is attached as part of this publication, is indicated by its position in the index. The index also lists the subject matter, the current issue, and total number of sheets in each diagram.

2. WIRING DIAGRAM INDEX

TITLE	DIAGRAM NUMBER	TOTAL CONTROL AND DIAGRAM SHEETS	CONTROL SHEET OR DIAGRAM ISSUE
Schematic Wiring Diagram for Receiver Set VS234	<b>7730WD</b>	<b>12</b>	<b>11</b>
schematic Wiring Diagram for DRPE807	<b>7751WD</b>	<b>1</b>	<b>1</b>



1. ALL VOLTAGES DC UNLESS OTHERWISE SPECIFIED

2. TERMINAL DESIGNATIONS ENCLOSED IN PARENTHESES ( ) ARE FOR REFERENCE AND ARE NOT MARKED ON COMPONENT

3. ALL RESISTORS 1/2 WATT AND RESISTANCE VALUES IN OHMS, UNLESS OTHERWISE SPECIFIED.

4. ALL CAPACITANCE VALUES IN MICRO-FARADS, UNLESS OTHERWISE SPECIFIED.

5. COMPONENTS ENCLOSED IN SOLID DOUBLE LINE ARE PRESENTED FOR REFERENCE ONLY A COMPLETE SCHEMATIC OF THESE COMPONENTS IS AVAILABLE AT THE WD OR AREA INDICATED.

6. DASHED --- SINGLE LINE ENCLOSING COMPONENTS INDICATES ONE CARD OR ASSEMBLY LOCATION FOR ALL THE ENCLOSED COMPONENTS.

7. THE FOLLOWING CIRCUIT CARDS ARE LOCATED IN THE FOLLOWING POSITIONS:

**MODULE - C**  
 303730, EARLY  
 ZC121 THRU ZC123, --- VERSIONS CONTAIN  
 ZC319 THRU ZC324 303672  
 ZC110, ZC112, ZC116, --- 303685  
 ZC307, ZC316  
 ZC309, ZC311 --- 303686  
 ZC108 --- 303625  
 ZC114, ZC115, ZC315 --- 303688  
 ZC120 --- 303690  
 ZC313 --- 303626  
 ZC418 --- 149247  
 ZC318 --- 149248  
 ZC808 --- 149254  
 ZC107, ZC207 --- 149261

**MODULE - D**  
 ZD107, ZD118, ZD120, ZD305 --- 303685  
 ZD313, ZD307, ZD316, ZD320  
 ZD103, ZD105, ZD109, ZD111 --- 303686  
 ZD113, ZD115, ZD303, ZD305,  
 ZD309, ZD311, ZD313, ZD315  
 ZD307, ZD317 --- 303688  
 ZD122, THRU ZD124, --- 303689  
 ZD322 THRU ZD324  
 ZD308, ZD315 --- 303627  
 ZD117, ZD317 --- 149243  
 ZD125, ZD325 --- 149244  
 ZD226, ZD326 --- 149248  
 ZD127, ZD327 --- 149252  
 ZD227, ZD327 --- 149253  
 ZD126, ZD326 --- 177530  
 ZD308, ZD318 --- 149261

8. SPARE CIRCUITS AVAILABLE

**MODULE C**  
 ZC108-DYA,  
 PAF  
 ZC313-PAF  
 ZC307-LA-ID, IE, IF  
 ZC318-K1  
 ZC418-K2, K3  
 ZC107-A, C

(SEE NOTE 28 FOR MODULE D)

9. THE RESISTANCE OF ALL RELAY COILS IS IN OHMS UNLESS OTHERWISE SPECIFIED.

10. KC119-A IN MODULE C CONTAINS A 304147 RELAY.

11. ZC127 OF MODULE C CONTAINS 9 148840 POWER RESISTORS

12. ZC128 OF MODULE C CONTAINS 9 148843 POWER DIODES.

13. FOR ADDITIONAL WIRING INFORMATION ON TAPE REPERFORATOR REFER TO DRPE 7751 WD SCHEMATIC

14. REFER TO SPECIFICATION 610475 OR BULLETIN 592-852-730 FOR THEORY OF OPERATION AND ADJUSTMENT OF TIMING CIRCUITS.

15. ——— INDICATES FEMALE AND ——— INDICATES MALE TERMINAL ON CONNECTORS

16. ALL REVISION INFORMATION IS REFLECTED ON THE ISSUE CONTROL RECORD.

17. LAMP COLORS ARE CLEAR UNLESS OTHERWISE SPECIFIED

THE SYMBOLS ON THE FOLLOWING PAGES HAVE DESIGNATIONS THAT MAKE REFERENCE TO THE BOTTOM REPERFORATOR. THE FOLLOWING TABLE GIVES THE CORRESPONDING DESIGNATIONS FOR THE UPPER REPERFORATOR :

**MODULE D**

BOTTOM REPERF.	TOP REPERF.
ZD503	ZD103
ZD505	ZD105
ZD507	ZD107
ZD509	ZD109
ZD511	ZD111
ZD513	ZD113
ZD515	ZD115
ZD517	ZD117
ZD519	ZD119
ZD520	ZD120
ZD522	ZD122
ZD523	ZD123
ZD524	ZD124
ZD525	ZD125
ZD526	ZD126
ZD527	ZD127
ZD528	ZD128
ZD529	ZD129
ZD530	ZD130
ZD307	ZD317
ZD308	ZD318
SWD5	SWD1
SWD7	SWD3
SWD8	SWD4
SWD6	SWD2
JD428	JD328

**MODULE C**

18. THERE IS ONE MODULE C FOR EACH REPERFORATOR; THEREFORE, THE DESIGNATIONS FOR EACH MODULE ARE IDENTICAL

**CONTROL PANEL**

BOTTOM REPERF.	TOP REPERF.
DS101	DS201
DS102	DS202
DS103	DS203
DS104	DS204
DS105	DS205
DS106	DS206
DS107	DS207
DS108	DS208
DS109	DS209
DS110	DS210
SW101	SW201
SW102	SW202
SW103	SW203
SW105	SW205
SW106	SW206
SW107	SW207
SW108	SW208
SW109	SW209
SW110	SW210
R1	R7
R2	R8
R3	R9
R4	R10
R5	R11
R6	R12

**CABINET CONNECTORS**

BOTTOM REPERF.	TOP REPERF.
KLB	KLT
NB	NT
DAB	DAT
DDB	DDT
SPB	SPT
BPC328	TPC328
PD428	PD328
BPC428-A	TPC428-A
BPC428-B	TPC428-B

19. THE TERMINALS INDICATED AS "LEVEL" ON THE 149243 CIRCUIT CARD ARE STRAPPED TO THE "INVERTED" OR "NORMAL" TERMINALS DEPENDING ON THE APPLICATION. THIS CARD MUST BE IDENTICALLY WIRED IN BOTH THE TRANSMITTER AND THE RECEIVER.

20. THE R C NETWORKS ON EACH CIRCUIT CARD ARE IDENTICAL; HOWEVER THE VALUES PER CARD ARE DEPENDENT ON THE DESIRED WAVESHAPES.

21. INDUCTANCE VALUE IN MICROHENRIES

FOR ACTUAL WIRING DIAGRAMS REFER TO :

MODULE C 7731WD  
 MODULE D 7732WD  
 VS234 CABINET 7733WD  
 REPERF. SHELF 7734WD  
 KEY & LAMP PANEL 7735WD  
 MODULE C POWER SUPPLY 7736WD

22. REFERENCE WIRING DIAGRAMS:  
 ACTUAL DRPE 807 7736WD  
 SCHEMATIC DRPE 807 7731WD

23. ONLY ONE CONNECTOR IS INDICATED IN THE CASES WHERE PLUG AND RECEPTACLE ARE THE SAME OR THEY ONLY DIFFER BY A J & P. THE PIN NUMBERS ON PLUG AND RECEPTACLE ARE THE SAME

24. THE HALF ARROWS (⇄) INPUT TO A DIGITAL POTTED MODULE CIRCUIT INDICATES THAT CIRCUIT IS SENSITIVE TO A VOLTAGE OR CURRENT LEVEL AT THAT INPUT.

25. THE FULL ARROW (→) INPUT TO A DIGITAL POTTED MODULE CIRCUIT INDICATES THAT CIRCUIT IS SENSITIVE TO A VOLTAGE CHANGE OR PULSE AT THAT INPUT

26. WHEN 15 PIN CARDS ARE USED, TWO ARE PLACED IN ONE 36 PIN CARD CONNECTOR. THE ACTUAL WD INDICATES ONLY ONE LOCATION NUMBER FOR THE ENTIRE 36 PIN CONNECTOR. THIS SCHEMATIC WD DESIGNATES A POSITION NUMBER FOR EACH CARD. EG: ZE103 ON ACTUAL WOULD BE ZE103 AND ZE203 ON SCHEMATIC DEPENDING ON LOCATION. SEE MODULE CO-ORDINATE SYSTEM

27. CROSS REFERENCE LEGEND:  
 3-82-AA  
 LEGEND DESIGNATION WHEN NEEDED  
 CO-ORDINATE SYSTEM  
 SHEET NUMBER

28. ▽ INDICATES CIRCUIT COMMON  
 ▽ INDICATES LAMP AND SWITCH COMMON

29. THESE ARE CONNECTED TOGETHER IN MODULE C (310902)

30. SPARE CIRCUITS AVAILABLE.

**MODULE D**

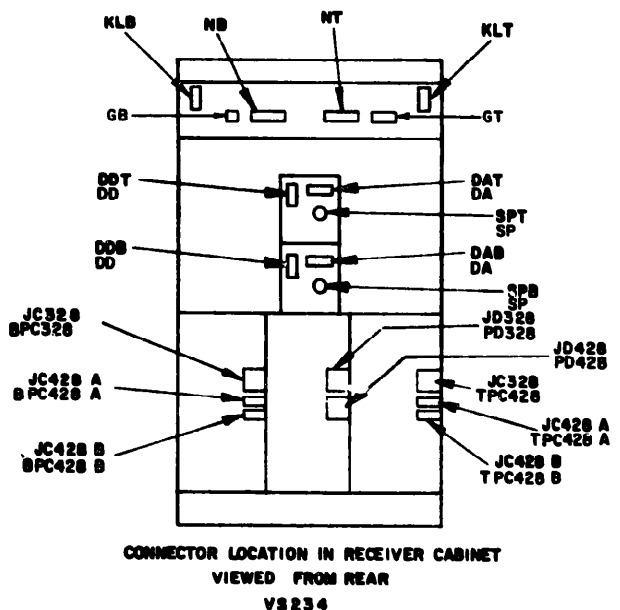
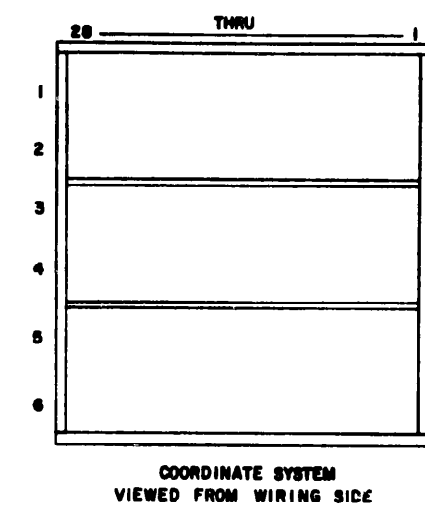
ZD103-D-F, CR-B  
 ZD503-D-F, CR-B  
 ZD105-CR-B, CR-C  
 ZD505-CR-B, CR-C  
 ZD109-D-F, CR-F  
 ZD509-D-F, CR-F  
 ZD111-D-F, CR-B, CR-C  
 ZD511-D-F, CR-B, CR-C  
 ZD113-CR-B, CR-C  
 ZD513-CR-B, CR-C  
 ZD115-CR-B, CR-C  
 ZD515-CR-B, CR-C  
 ZD125-IO  
 ZD325-IO  
 ZD126-3  
 ZD326-3  
 ZD226-K4  
 ZD326-K4

31. CERTAIN LOGIC SYMBOLS USED ON THIS WIRING DIAGRAM DO NOT CONFORM TO TELETYPE DESIGN STANDARDS THE SYMBOLS ARE EXPLAINED ON THE RESPECTIVE CIRCUIT CARD DRAWINGS.

32. WIRING TO PUSHBUTTON LIGHT SOCKETS HAS BEEN PROVIDED

33. ON SOME SETS CAPACITOR C3 IS NOT PRESENT AND RESISTOR R1 IS 27K OHMS

34. ON ISSUE 5, THE TYPE NUMBER OF DIODES CR1 THRU CR9 WAS IN3492



**7730 WD**

REVISIONS

ISSUE	DATE	AUTH. NO.
1	1-21-66	18983-R
2	2-17-66	90299
3	7-12-66	90997
4	8-28-67	94199-A
5	3-8-68	97263
6	11-25-68	96458
7	5-1-69	96773

NOTE: REVISION INFORMATION MUST ALSO BE REFLECTED ON THE ISSUE CONTROL RECORD WHICH IS A PART OF THIS DRAWING

SEE ISSUE CONTROL RECORD FOR COMPLETE LIST OF SHEETS COMPRISING THIS WD

**SHEET 1**

**SCHEMATIC WIRING DIAGRAM FOR RECEIVER SET VS234**

APPROVALS

D AND R	E OF M
<i>497</i>	<i>cr</i>

E-NUMBER  
 PROD. NO. 7730 WD

DATE 11-26-65  
 P.D. FILE NO. 38-A2/65 AA

DRAWN N A R  
 ENGR R H K

CHKD. *[Signature]*  
 APPD. *[Signature]*

**TELETYPE CORPORATION**

**7730 WD**





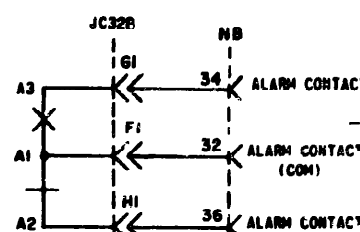
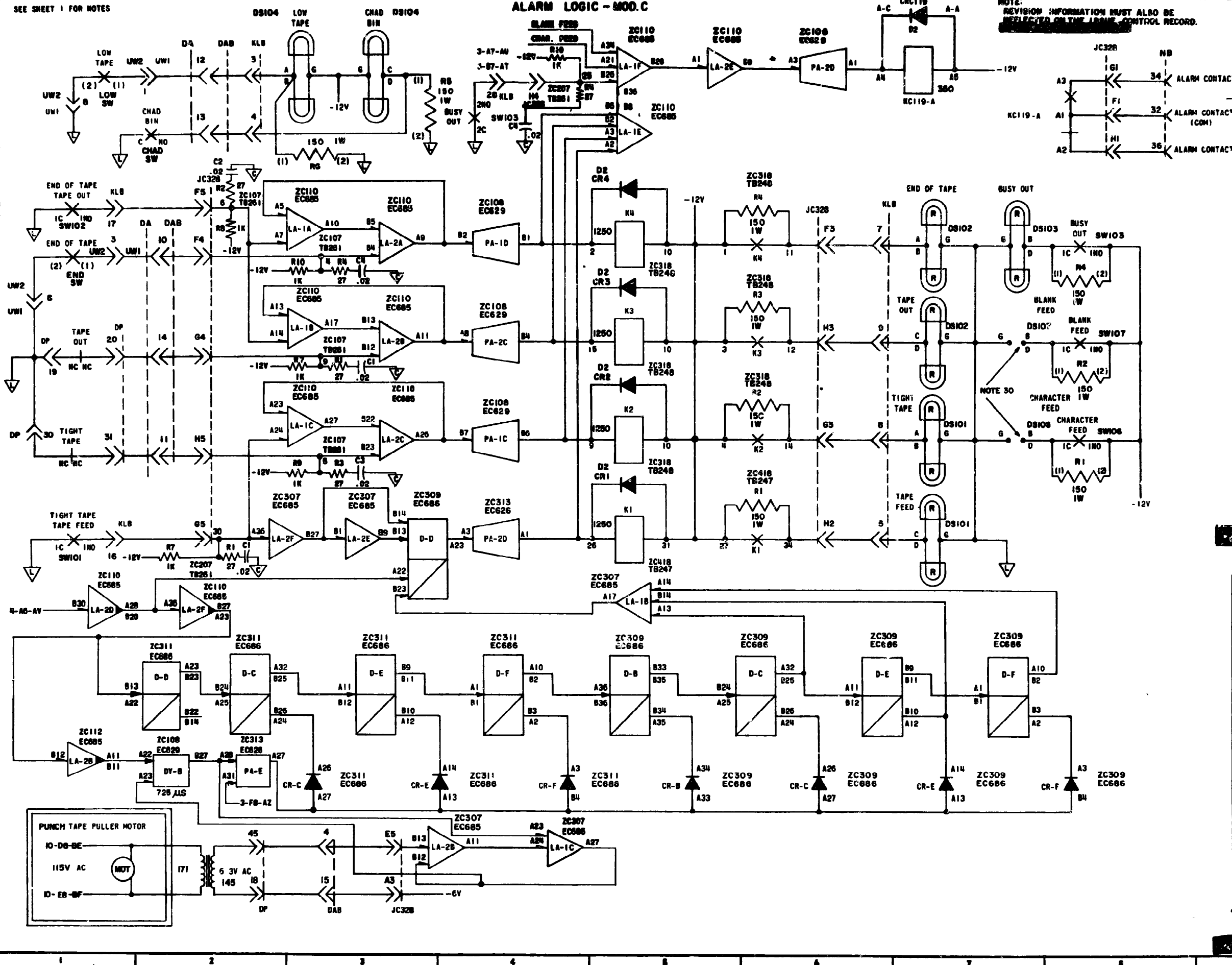
SEE SHEET 1 FOR NOTES

ALARM LOGIC - MOD.C

NOTE: REVISION INFORMATION MUST ALSO BE REFLECTED ON THE ISSUE CONTROL RECORD.

7730 WD

REVISIONS		
ISSUE	DATE	AUTH. NO.
1	1-21-66	6885-R
2	2-17-66	90299
3	3-14-66	90303
4	3-8-68	97263



REVISION INFORMATION MUST ALSO BE REFLECTED ON THE ISSUE CONTROL RECORD.

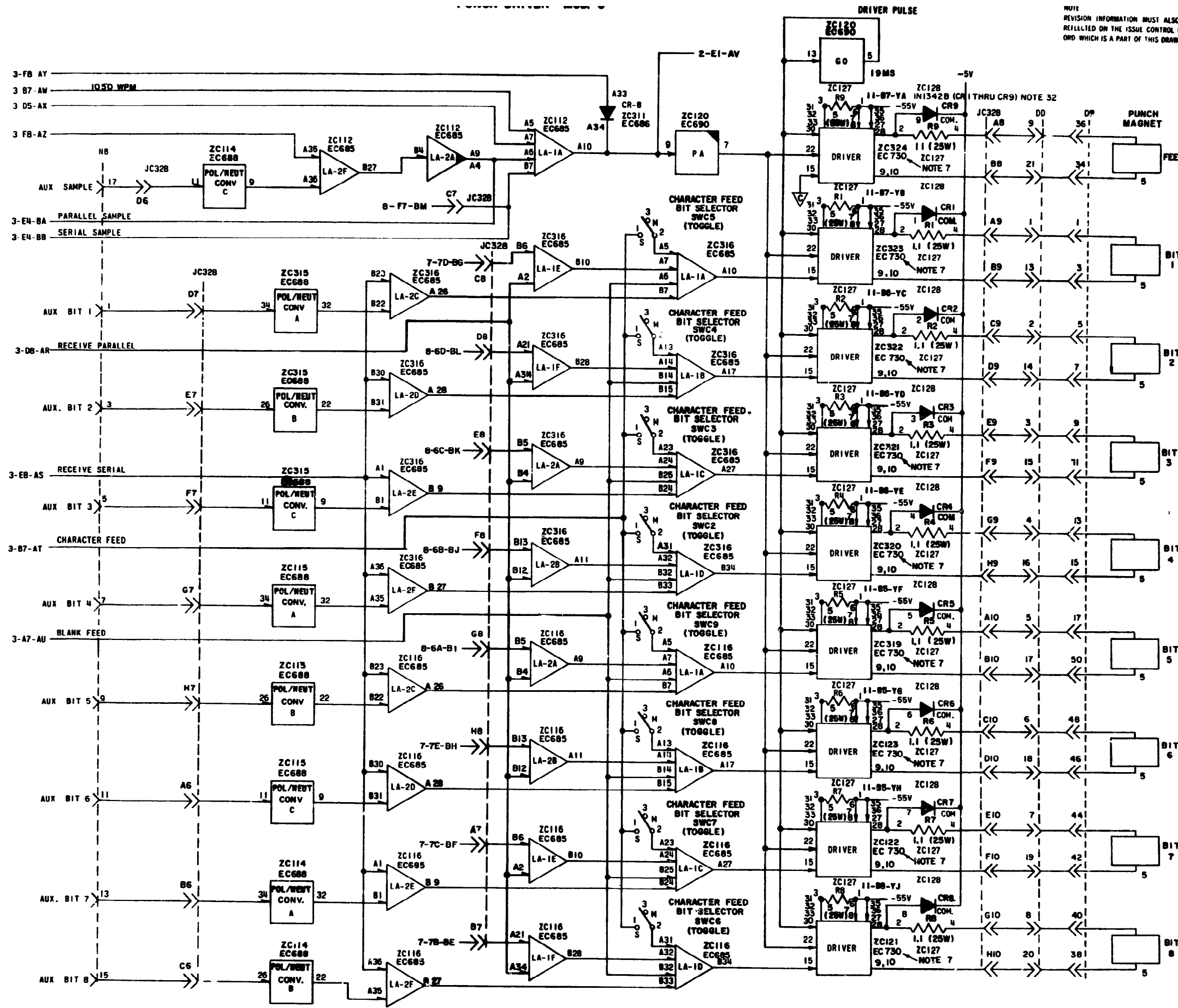
SHEET 2

SCHEMATIC  
WIRING DIAGRAM  
FOR  
RECEIVER SET  
VS234

APPROVALS	
D AND R <i>AR</i>	E OF M <i>✓</i>
E-NUMBER	
PROD. NO. 7730WD	
DATE 11-26-65	
P.D. FILE NO. 36-A2/85AA	
DRAWN N.A.R.	CHKD <i>[initials]</i>
ENDD R.H.K.	APPD <i>[initials]</i>

TELETYPE  
CORPORATION

7730WD



### 7730 WD

#### REVISIONS

ISSUE	DATE	AUTH. NO.
1	1-21-66	10003-R
2	2-17-66	90290
3	3-14-66	90303
4	12-27-66	92226
5	8-28-67	94188-A
6	5-1-69	96773

SEE ISSUE CONTROL RECORD FOR COMPLETE LIST OF SHEETS COMPRISING THIS W.D. SHEET #

#### SCHEMATIC WIRING DIAGRAM FOR RECEIVER SET VS234

#### APPROVALS

D AND R: *[Signature]* E OF M: *[Signature]*

#### E-NUMBER

PROD. NO. 7730WD

DATE 11-26-65

P.D. FILE NO. 38-A2/65 AA

DRAWN N.A.R. *[Signature]* CHKD. *[Signature]*

ENGD. R.H.K. *[Signature]* APPD. *[Signature]*

### TELETYPE CORPORATION

### 7730 WD

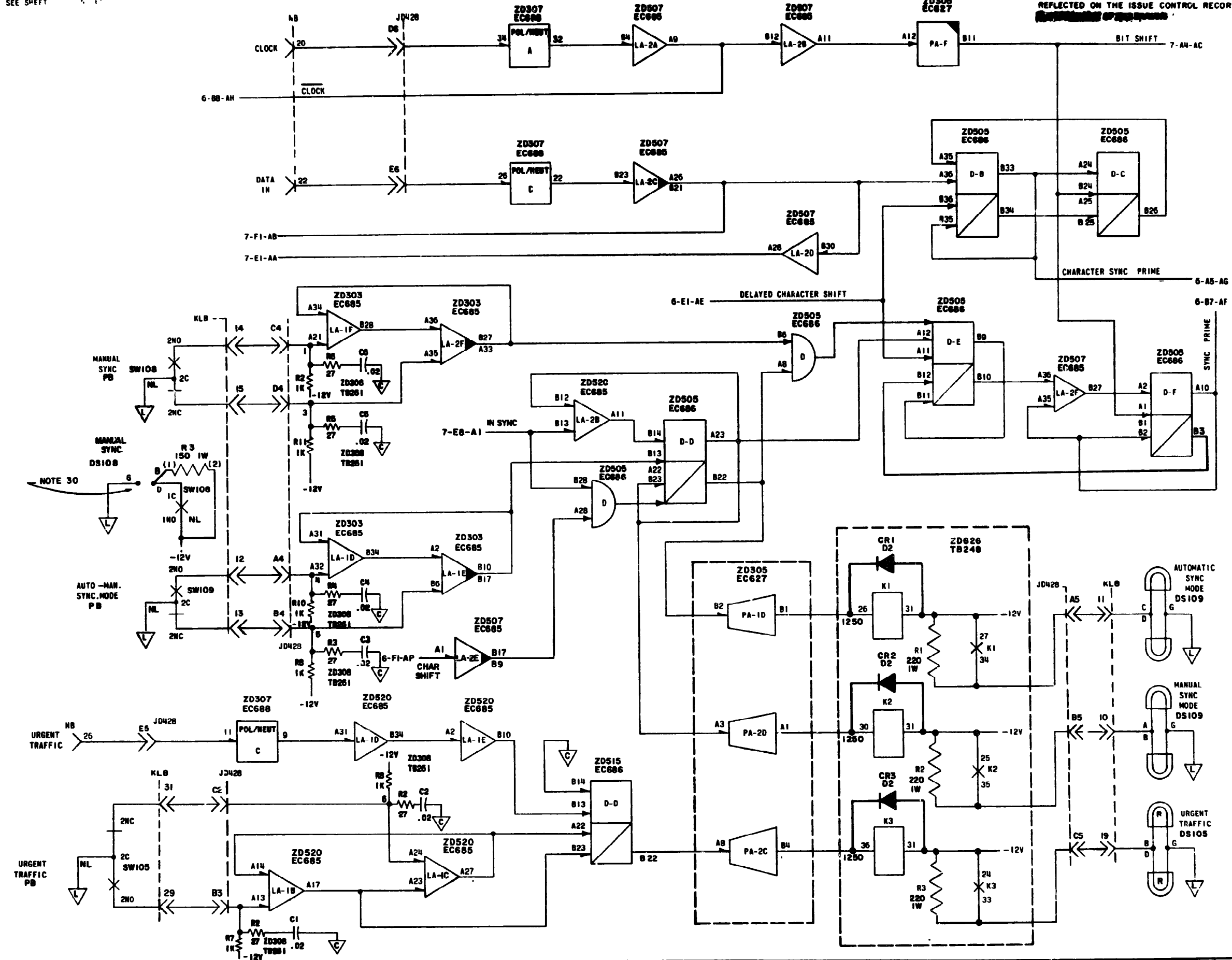
RECEIVER CONTROL LOGIC - MOD. D

NOTE: REVISION INFORMATION MUST ALSO BE REFLECTED ON THE ISSUE CONTROL RECORD.

7730 WD

REVISIONS		
ISSUE	DATE	AUTH. NO.
1	1-21-66	16883-R
2	2-17-66	90299
3	3-14-66	90303
4	3-8-68	97263

SEE SHEET 1



SEE SHEET CONTROL LOGIC FOR COMPLETE LIST OF PARTS CONTAINING THIS NO.

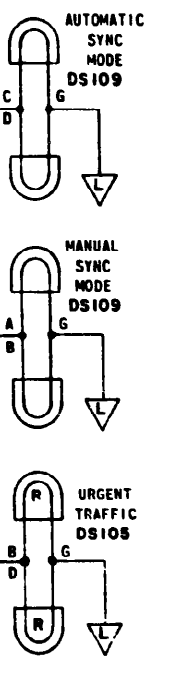
SHEET 5

SCHMATIC WIRING DIAGRAM FOR RECEIVER SET VS234

APPROVALS	
D AND R	E OF M
<i>[Signature]</i>	<i>[Signature]</i>
E-NUMBER	
PRG. NO. 7730WD	
DATE 11-26-65	
P.D. FILE NO. 38-A2/65AA	
DRAWN N.A.R.	CHKD. <i>[Signature]</i>
ENGR. R.N.K.	APPD. <i>[Signature]</i>

TELETYPE CORPORATION

7730 WD



SEE SHEET 1 FOR NOTIC

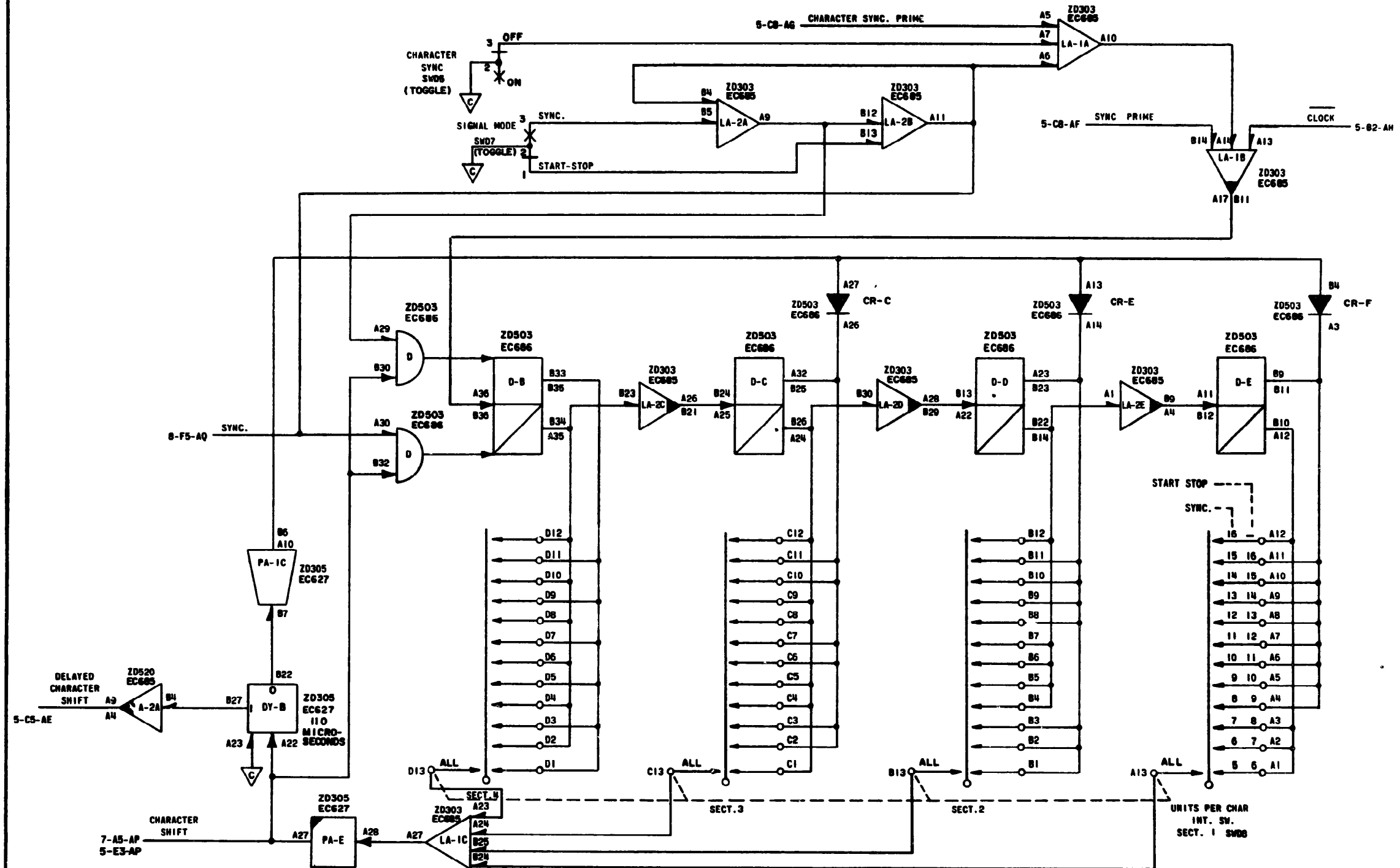
UNITS COUNTER - MOD. D

REVISION INFORMATION MUST ALSO BE REFLECTED ON THE ISSUE CONTROL RECORD

7730 WD

REVISIONS

ISSUE	DATE	AUTH. NO.
1	1-21-66	16903-R



REVISION INFORMATION MUST ALSO BE REFLECTED ON THE ISSUE CONTROL RECORD SHEET 6

SHEET 6

SCHMATIC WIRING DIAGRAM FOR RECEIVER SET VS234

APPROVALS

D AND R <i>AK</i>	E OF M <i>C</i>
----------------------	--------------------

E-NUMBER

PROD. NO. 7730WD

DATE 11-26-65

R.D. FILE NO. 38-A2/65 AA

DRAWN N.A.R. *AK*

ENGR. R.H.K. *AK*

TELETYPE CORPORATION

7730 WD

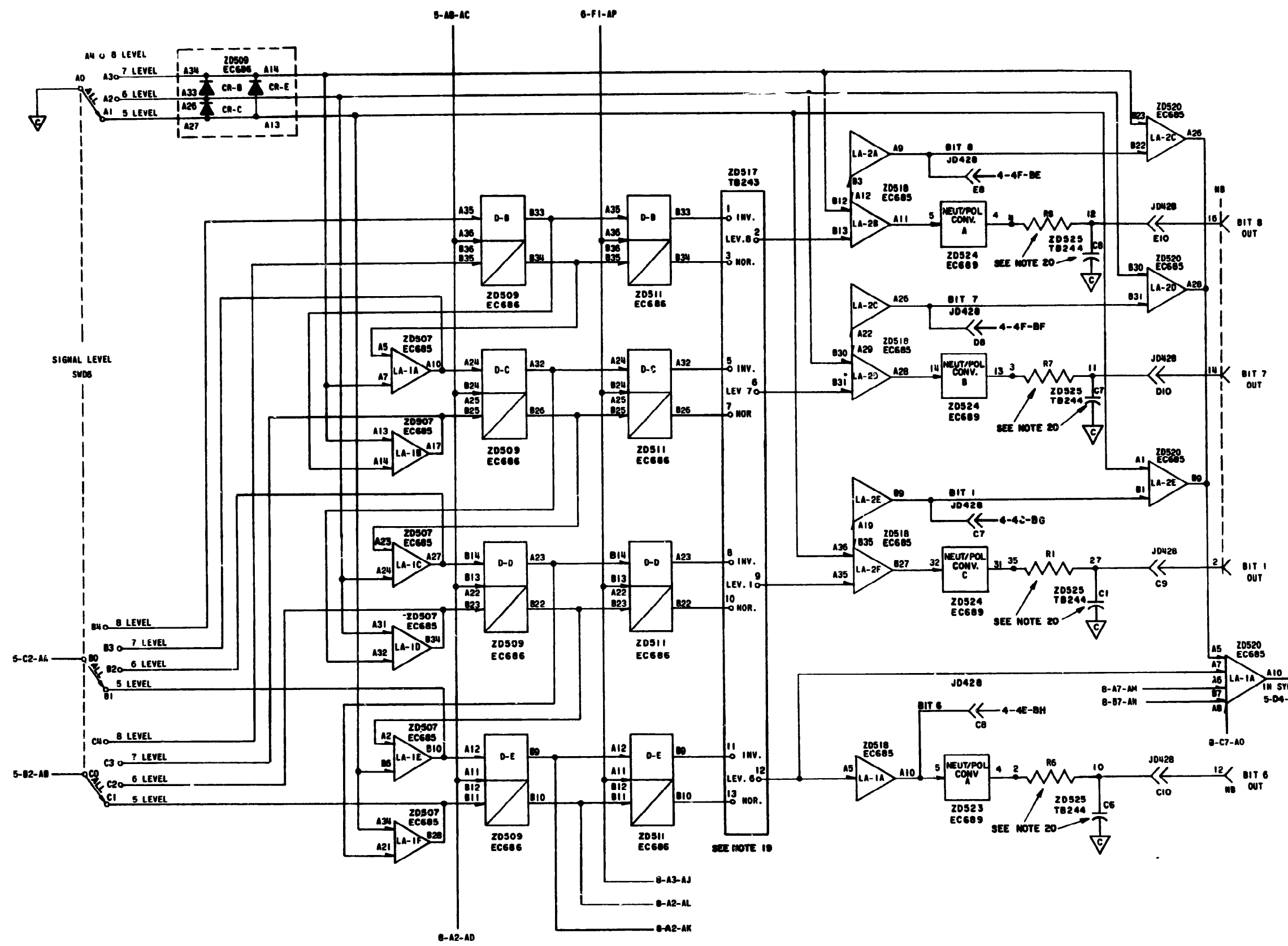
SERIAL TO PARALLEL CONVERTER - MOD. D

NOTE: REVISION INFORMATION MUST ALSO BE REFLECTED ON THE ISSUE CONTROL RECORD

7730 WD

REVISIONS		
ISSUE	DATE	AUTH. NO.
1	1-21-66	10003-R
2	2-17-66	90239

SEE SHEET 1 FOR CONTS



DO NOT REMOVE THESE VPS UNLESS YOU ARE A QUALIFIED PERSONNEL

SHEET 7

SCHEMATIC WIRING DIAGRAM FOR RECEIVER SET VS234

APPROVALS

D AND R	E OF M
<i>APK</i>	<i>U</i>

E-NUMBER

PROB. NO. 7730WD

DATE 11-26-65

R.D. FILE NO. 38-A2/65AA

DRAWN N.A.R. CHKD *[Signature]*

ENDD. R.H.K. APPD. *[Signature]*

TELETYPE CORPORATION

7730 WD

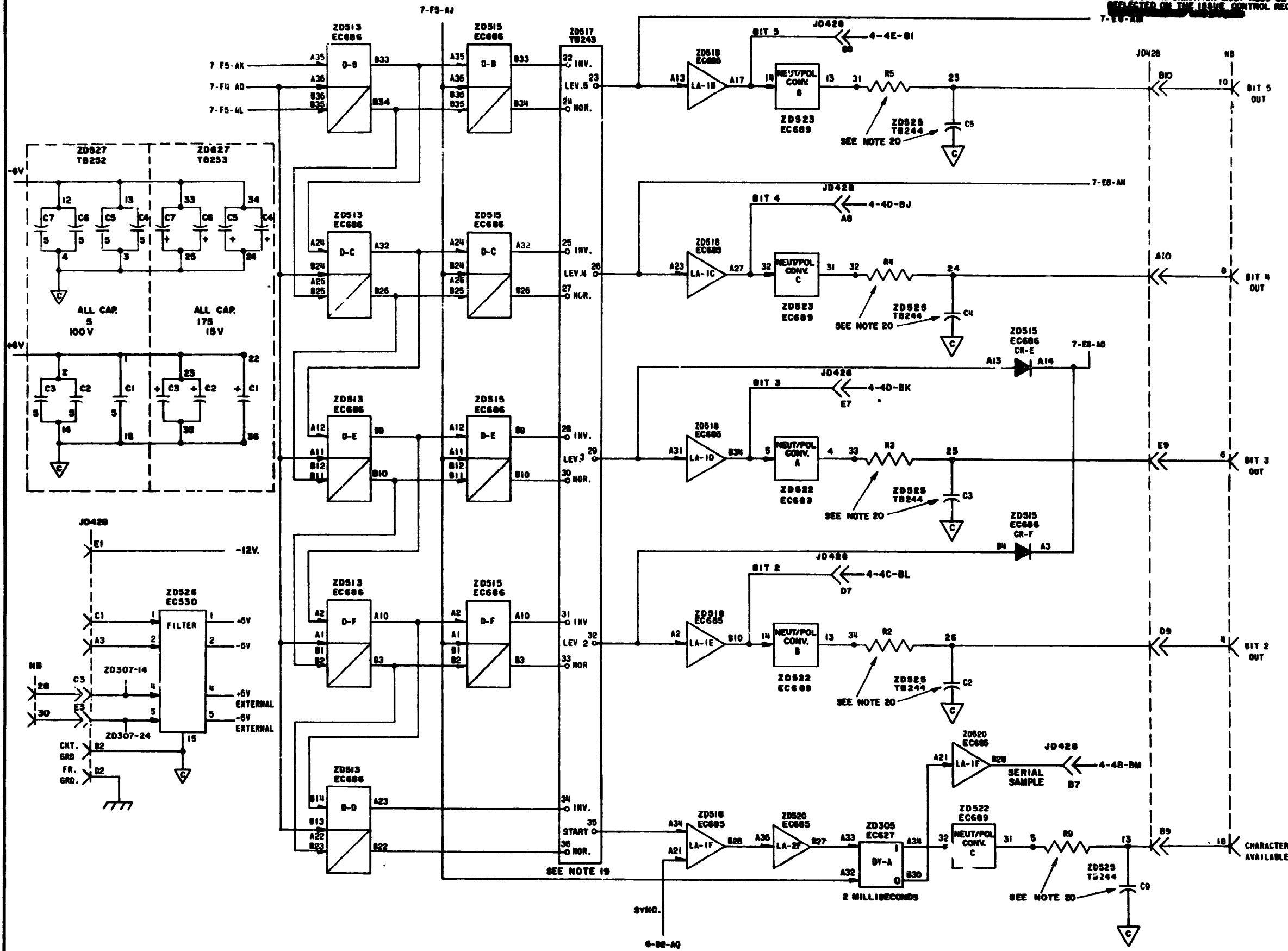
SEE SHEET 1 FOR NOTES

SERIAL TO PARALLEL CONVERTER - MOD. D

NOTE: REVISION INFORMATION MUST ALSO BE REFLECTED ON THE ISSUE CONTROL RECORD  
7-EB-AM

7730 WD

REVISIONS		
ISSUE	DATE	AUTH. NO.
1	1-21-66	18983-R
2	2-17-66	90299
3	3-14-66	90303



THE ISSUE CONTROL CENTER FOR THE RECORD SET OF THIS DOCUMENT THIS SHEET 6

SCHEMATIC WIRING DIAGRAM FOR RECEIVER SET VS234

APPROVALS	
D AND R <i>AK</i>	E OF M <i>u</i>
E-NUMBER	
PROD. NO. 7730W	
DATE 11-26-65	
R.D. FILE NO. 38-A2/65 AA	
DRWN. N.A.R.	CHKD. <i>AK</i>
ENGR. R.H.K.	APPR. <i>AK</i>

TELETYPE CORPORATION  
7730 WD

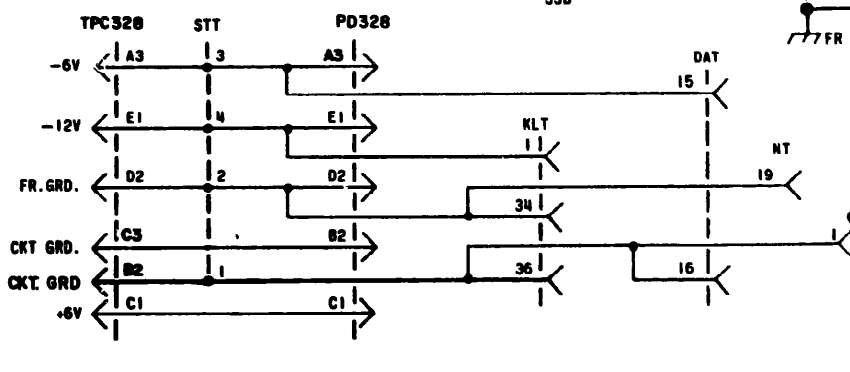
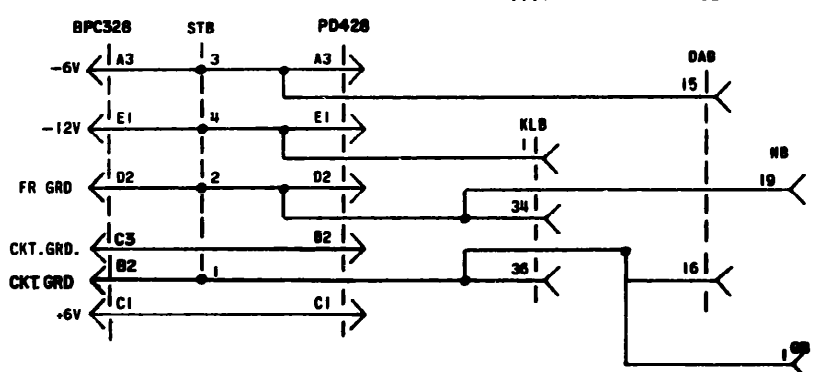
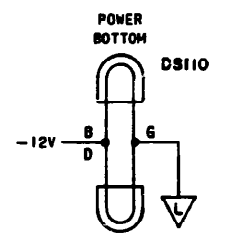
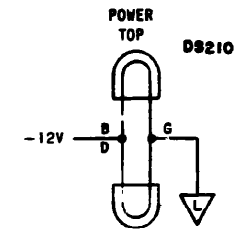
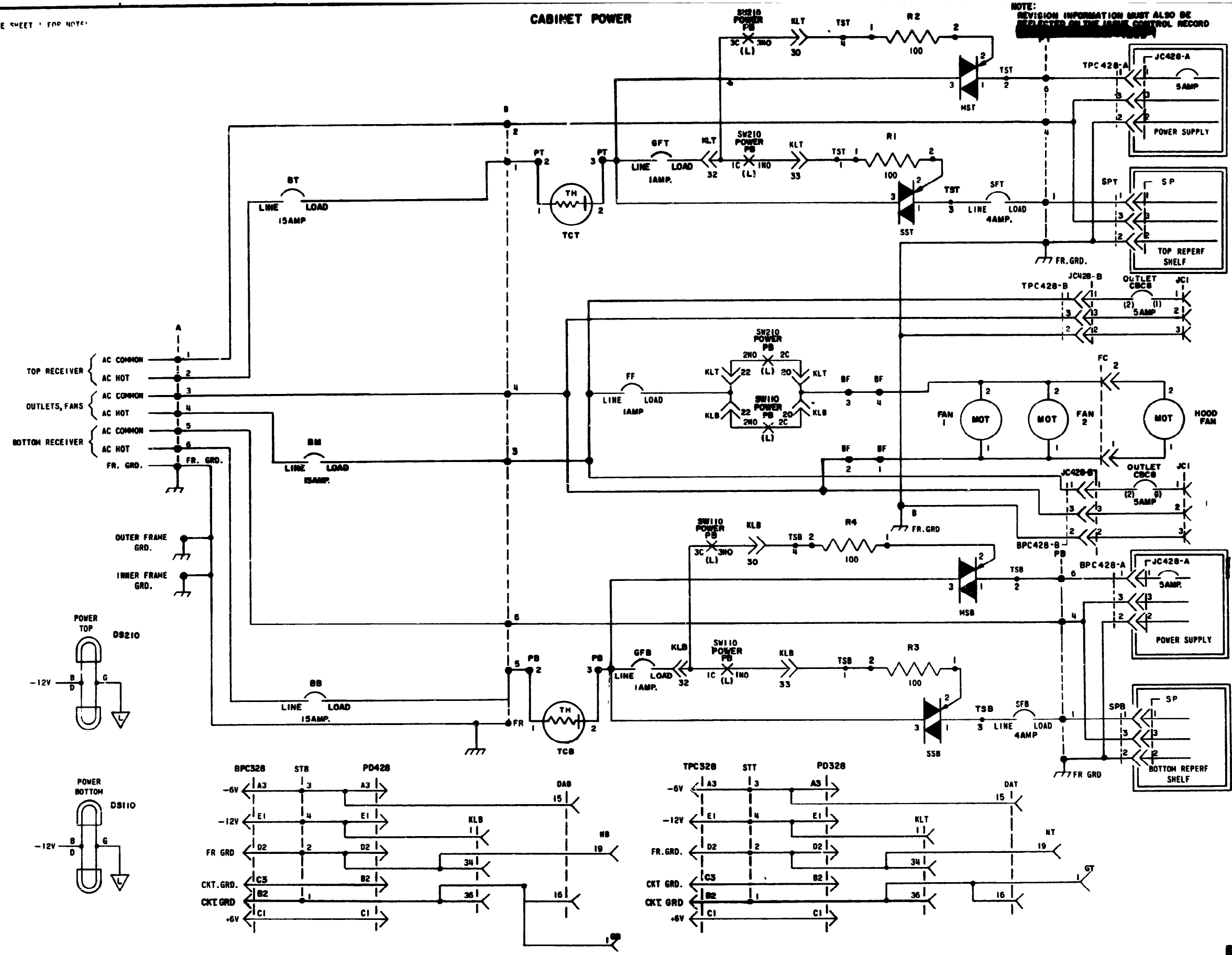
SEE SHEET 1 FOR NOTES

### CABINET POWER

NOTE: REVISION INFORMATION MUST ALSO BE REFLECTED ON THE ISSUE CONTROL RECORD

## 7730 WD

REVISIONS		
ISSUE	DATE	AUTH. NO.
1	1-21-66	18988-R
2	2-17-66	90299
3	7-12-66	90907
4	4-4-67	93097



SHEET 0

SCHEMATIC WIRING DIAGRAM FOR RECEIVER SET VS234

APPROVALS

D AND R: [Signature]

E OF M: [Signature]

E-NUMBER

PROD. NO. 7730WD

DATE 11-26-65

PS. FILE NO. 38-A2/85 AA

DRAWN N A R

ENGR R H K

TELETYPE CORPORATION

7730 WD

NOTE: REVISION INFORMATION MUST ALSO BE REFLECTED ON THE ISSUE CONTROL RECORD

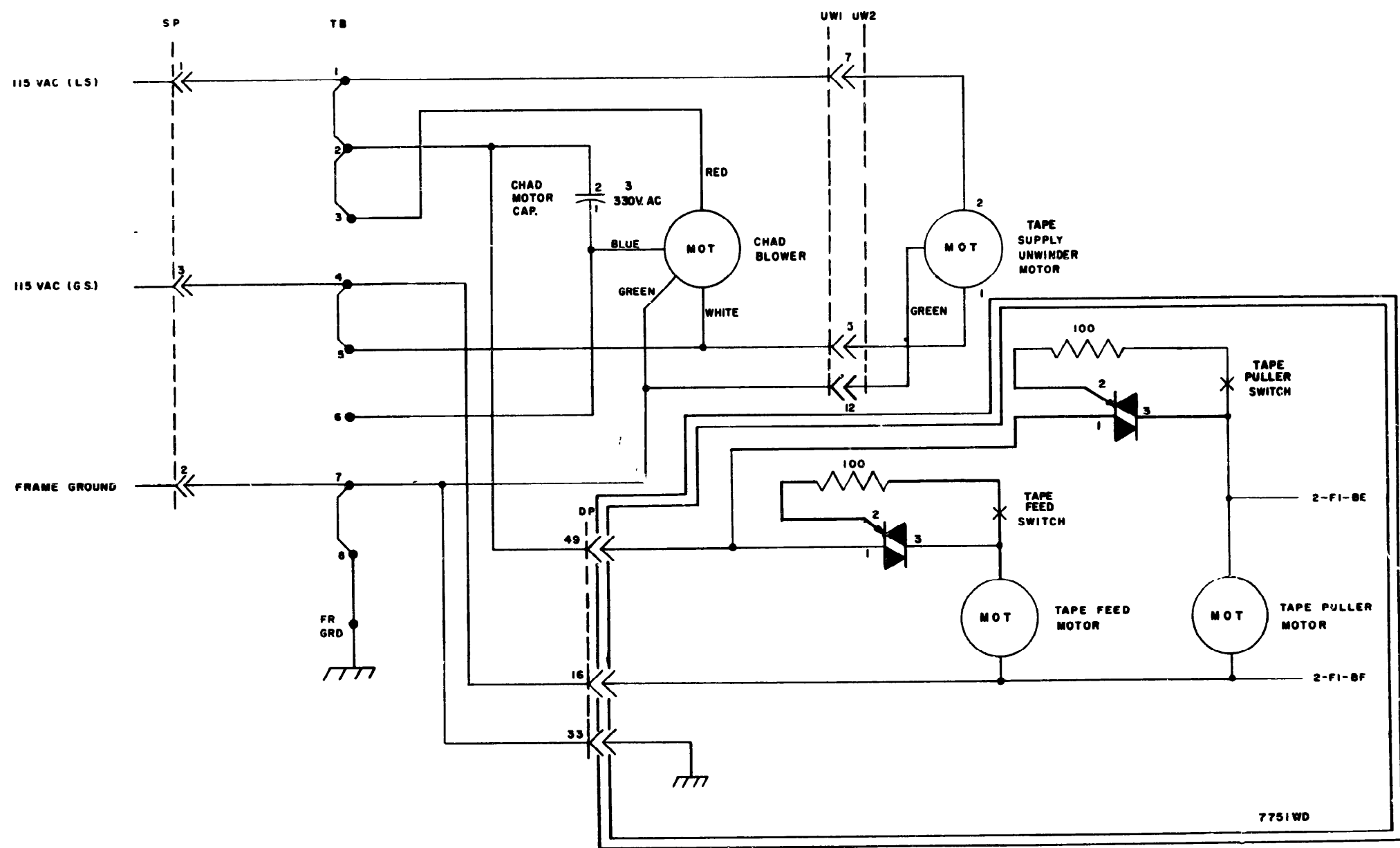
7730 WD

REVISIONS

ISSUE	DATE	AUTH. NO.
1	1-21-66	18985-R
2	2-17-66	90299

REPERFORATOR SHELF POWER.

SEE SHEET 1 FOR NOTES



SEE ISSUE CONTROL RECORD FOR COMPLETE LIST OF SHEETS COMPRISING THIS WD

SHEET 10

SCHEMATIC WIRING DIAGRAM FOR REPERFOR SET V5234

APPROVALS

D AND R: *AK* E OF M: *[Signature]*

E-NUMBER: PROD. NO. 7730 WD DATE 11-26-65 P.D. FILE NO. 38 A2/65AA DRAWN NAR: *[Signature]* ENGR. RNK: *[Signature]* APPD. *[Signature]*

TELETYPE CORPORATION

7730 WD



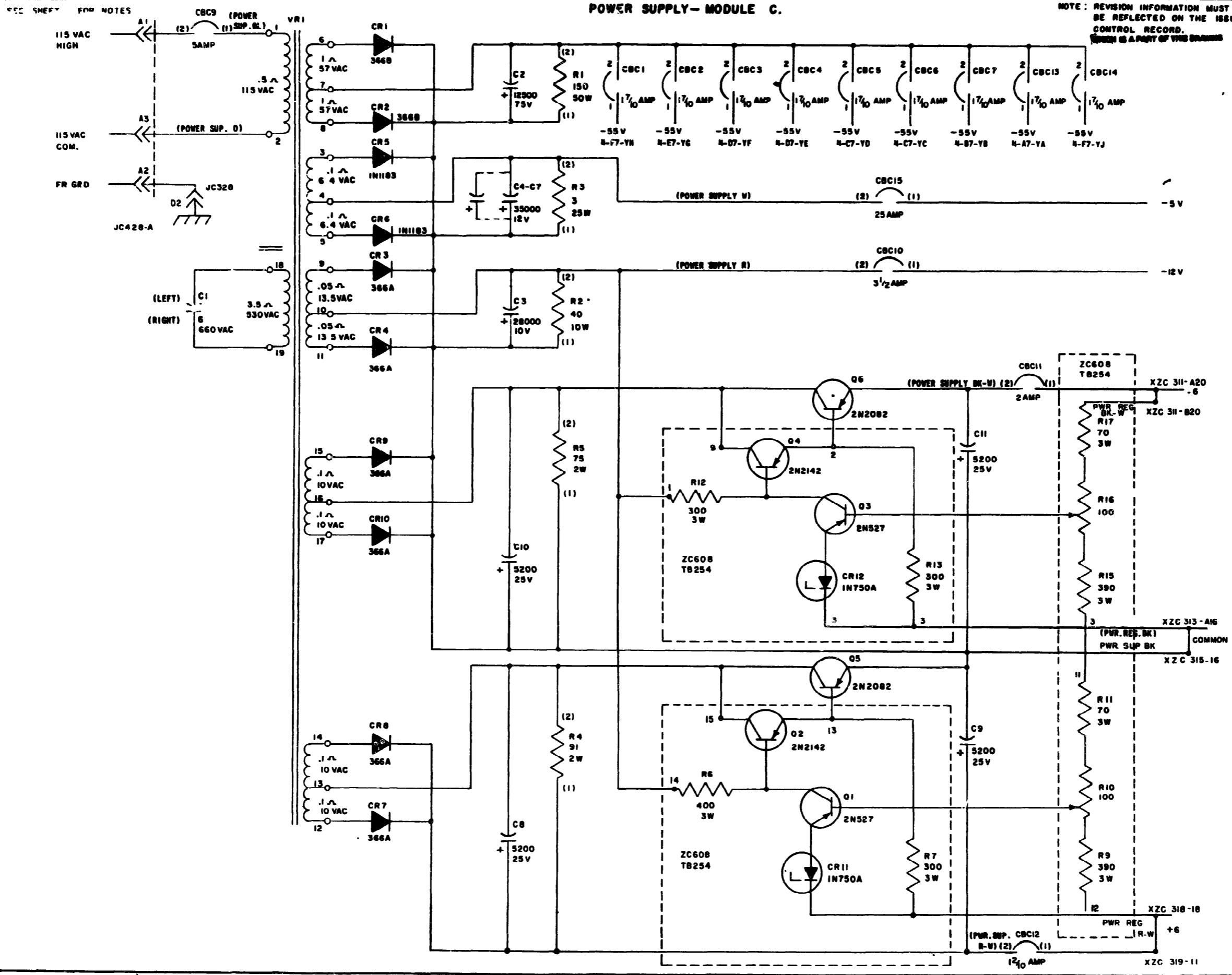
POWER SUPPLY - MODULE C.

NOTE: REVISION INFORMATION MUST ALSO BE REFLECTED ON THE ISSUE CONTROL RECORD. THIS IS A PART OF THE DRAWING

7730 WD

REVISIONS

ISSUE	DATE	AUTH. NO.
1	1-21-66	18863-R
2	2-17-66	92299
3	2-2-67	92247



SEE ISSUE CONTROL RECORD FOR COMPLETE LIST OF SHEETS COMPRISING THIS NO.

SHEET II

SCHEMATIC  
WIRING DIAGRAM  
FOR  
RECEIVER SET  
V5234

APPROVALS

D AND R *AK* E OF M *L*

E-NUMBER  
PROD. NO. 7730WD  
DATE 11-27-65  
P.D.F. NO. 38 A2/63AA  
DRAWN WO *CHD*  
ENGD. RHK *APPD*

TELETYPE CORPORATION

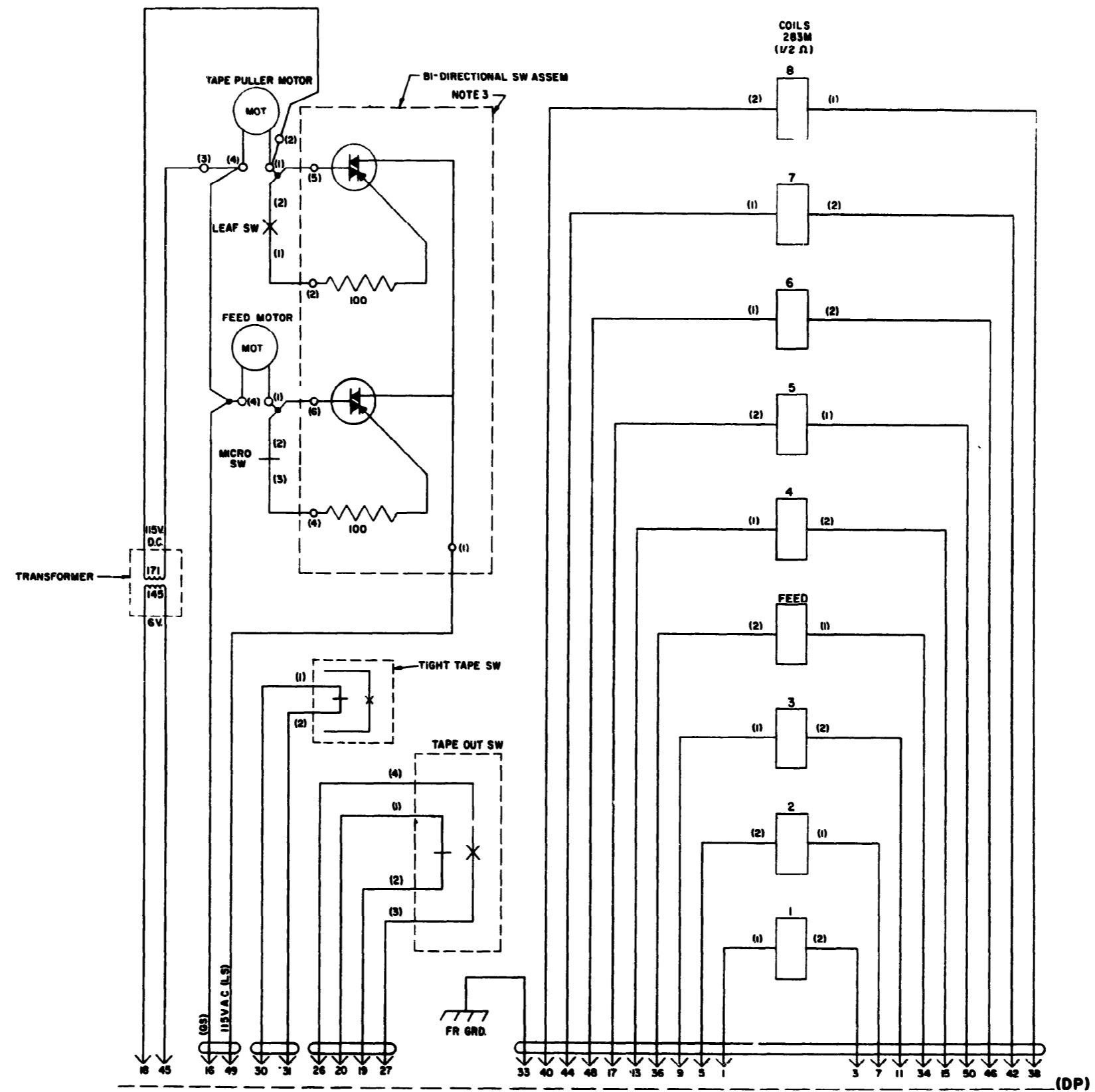
7730 WD

A  
B  
C  
D  
E  
F

A  
B  
C  
D  
E  
F

1 2 3 4 5 6 7 8 9

NO	NOTES
1	REFER TO 7750 WD FOR ACTUAL WIRING DIAGRAM
2	FOR TELETYPE PERSONNEL REFERENCE SPECIFICATION NO 608665
3	REFER TO 7557 WD FOR BI-DIRECTIONAL SWITCH ASSEMBLY (147609)
4	→ INDICATES MALE TERMINAL ON RECEPTACLE
5	ALL RESISTORS 1/2 WATT AND RESISTANCE VALUES IN OHMS, UNLESS OTHERWISE SPECIFIED.
6	ALL VOLTAGES DC UNLESS OTHERWISE SPECIFIED
7	TERMINAL DESIGNATIONS ENCLOSED IN PARENTHESES ARE FOR REFERENCE AND ARE NOT MARKED ON COMPONENT
8	ASSOCIATED CABLE ASSEMBLY: 147606 - (283M COILS) 147607 - (TAPE PULLER MOTOR) 147594 - (TAPE OUT SWITCH-174570) 31153 - (TIGHT TAPE SWITCH-174570)



7751 WD		
REVISIONS		
ISSUE	DATE	AUTH. NO.
1	3-12-66	17693-R

SCHEMATIC WIRING DIAGRAM FOR DRPE 807

APPROVALS

D AND R <i>[Signature]</i>	E OF B <i>[Signature]</i>
-------------------------------	------------------------------

E-NUMBER

PROD. NO. 7751 WD

DATE 2-16-66

R.D. FILE NO. 3-35136 AA

DRAWN FCS	CHKD. <i>[Signature]</i>
ENGR. R.L.F.	APPR. <i>[Signature]</i>

**TELETYPE CORPORATION**

**7751 WD**

HIGH SPEED TAPE RECEIVER FOR THE  
MULTIPLE ADDRESS PROCESSING SYSTEM (MAPS)  
CIRCUIT CARDS

1. GENERAL

1.01 This section provides circuit card information for the high speed tape receiver, used in the removable logic assemblies on the multiple address processing system. It is re-issued to provide the latest engineering changes, remove preliminary designation, and make this a standard publication. Since this is a general revision marginal arrows that indicate changes have been omitted.

1.02 The following information can be found on each circuit card diagram: physical component layout, schematic of the circuit card, circuit description, wiring symbols, and bill of material. Notes are included on the diagrams

to explain the symbols used, and point out special conditions.

1.03 The circuit cards are identified by two numbers; one is a six digit part number, the other is a three digit EC number (certain terminal board cards have a TB number). In either case the three digit number is identical to the last three digits of the six digit part number. The circuit card diagrams are listed in the WIRING DIAGRAM INDEX.

1.04 There are six different types of potted modules attached to the circuit cards. They are identified on the bills of material by a Teletype part number. Following the WIRING DIAGRAM INDEX is the MODULE NUMBER CHART which shows the appropriate government part number for each module.

2. WIRING DIAGRAM INDEX

TITLE	DIAGRAM NUMBER	TOTAL CONTROL AND DIAGRAM SHEETS	CONTROL SHEET OR DIAGRAM ISSUE
Terminal Board TB243	149243	1	2
Terminal Board TB244	149244	1	5
Terminal Board TB247	149247	1	2
Terminal Board TB248	149248	1	1
Terminal Board TB252	149252	1	1
Terminal Board TB253	149253	1	1
Terminal Board TB261	149261	1	3
Circuit Board EC530	177530	1	4
Circuit Board EC626	303626	1	1
Circuit Board EC627	303627	1	1
Circuit Board EC629	303629	1	1
Circuit Board EC685	303685	1	1
Circuit Board EC686	303686	1	1
Circuit Board EC688	303688	1	2
Circuit Board EC689	303689	1	1
Circuit Board EC690	303690	1	5
Circuit Board EC730	303730	1	5

MODULE NUMBER CHART

<b>MODULE NUMBER</b>	<b>TELETYPE PART NUMBER</b>	<b>GOVERNMENT PART NUMBER</b>
<b>Flip-Flop D</b>	<b>TP310879</b>	<b>ON161602</b>
<b>Supplementary D</b>	<b>TP310880</b>	<b>ON161608</b>
<b>Power Amplifier</b>	<b>TP310881</b>	<b>ON161701</b>
<b>Delay Alarm Generator</b>	<b>TP310882</b>	<b>ON161611</b>
<b>Pulse Amplifier</b>	<b>TP310883</b>	<b>ON161610</b>
<b>NOF Logic A</b>	<b>TP310884</b>	<b>ON161603</b>

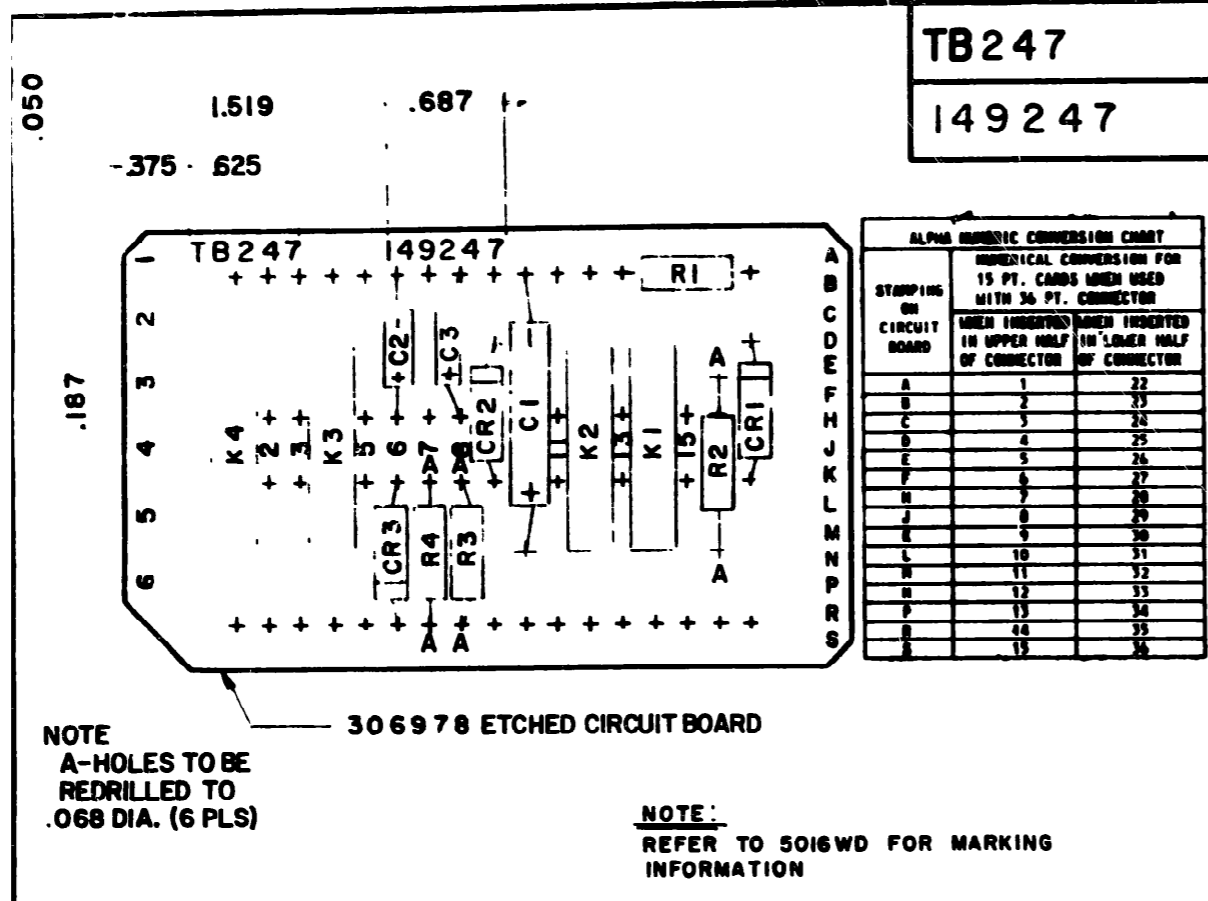












**TB247**  
**149247**

ALPHA NUMERIC CONVERSION CHART

STAMPING ON CIRCUIT BOARD	NUMERICAL CONVERSION FOR 15 PT. CARDS WHEN USED WITH 36 PT. CONNECTOR	NUMERICAL CONVERSION FOR 15 PT. CARDS WHEN USED WITH 36 PT. CONNECTOR WHEN INSERTION BAR IS INSERTED IN UPPER HALF IN LOWER HALF OF CONNECTOR
A	1	22
B	2	23
C	3	24
D	4	25
E	5	26
F	6	27
G	7	28
H	8	29
I	9	30
J	10	31
K	11	32
L	12	33
M	13	34
N	14	35
O	15	36

NOTE  
A-HOLES TO BE REDRILLED TO .068 DIA. (6 PLS)

NOTE:  
REFER TO 5016WD FOR MARKING INFORMATION

REF. DESIGN	TELETYPE PART NO.	TOTAL QTY	NAME AND DESCRIPTION
K1	306843	3	RELAY, REED MAKE 12 VOLT
K2			SAME AS K1
K3			SAME AS K1
K4	306844	1	RELAY, REED BREAK 12 VOLT
CR1	177108	3	DIODE D2
CR2			SAME AS CR1
CR3			SAME AS CR1
R1	143667	1	RESISTOR, FIXED 39 K OHMS. 1/2 WATT. SEE NOTE 1
R2	310988	3	" " 150 " "
R3			SAME AS R2
R4			SAME AS R2
C1	146736	1	CAPACITOR, 175 MFD 15 VOLT
C2	306088	2	" 68 " 15 "
TB	306978	1	ETCHED CIRCUIT BOARD
C3			SAME AS C2 SEE NOTE 1

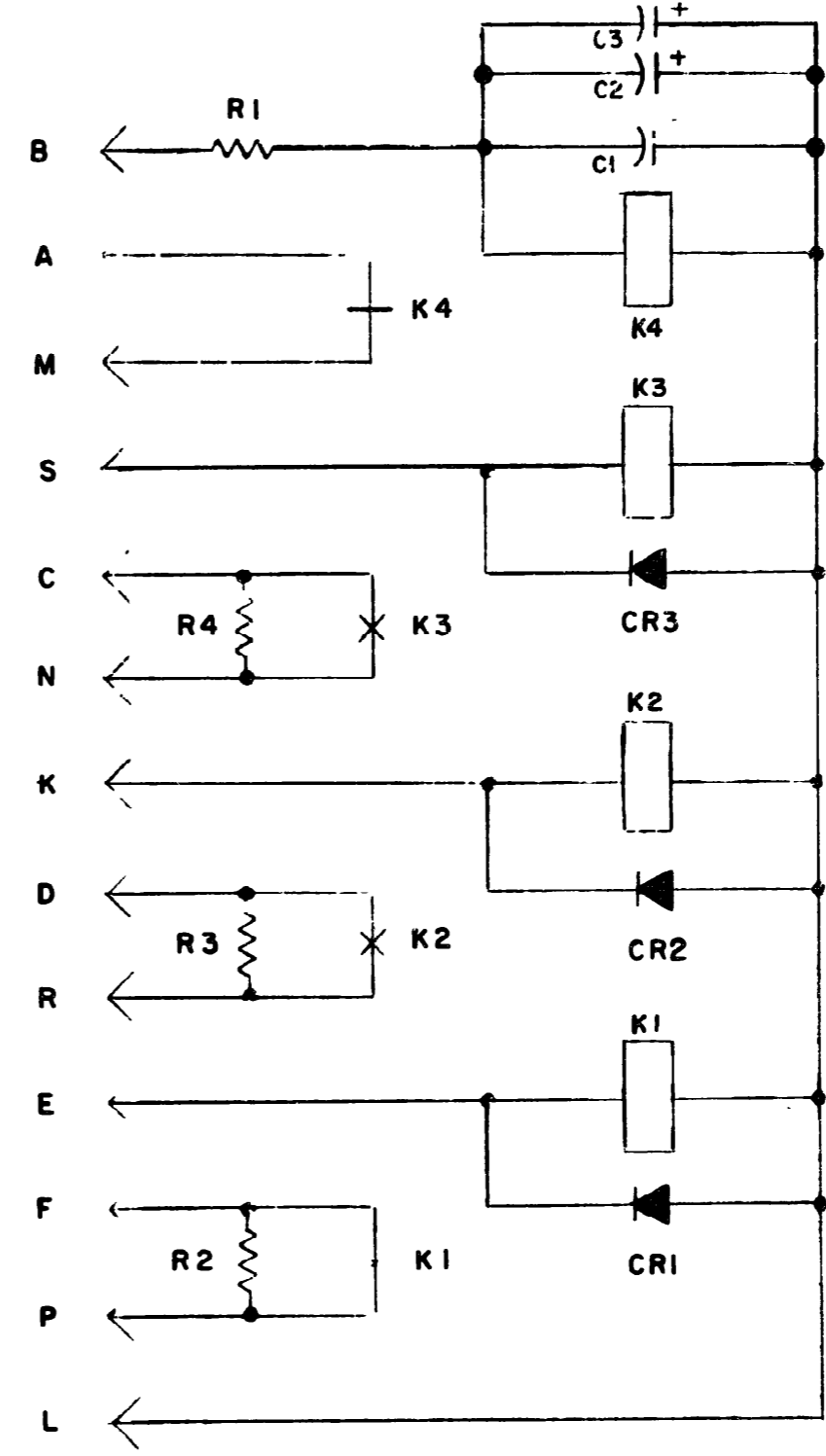
**TERMINAL BOARD TB247**

**149247**

REVISIONS

ISSUE	DATE	AUTH NO
1		99 A
2	11-21-68	53450

NOTE: ON ISSUE 1, R1 WAS 2.7 K OHMS AND C3 WAS NOT PRESENT



FOR PROPER OPERATION OF K4 POINT 3 IS MORE NEGATIVE THAN POINT L

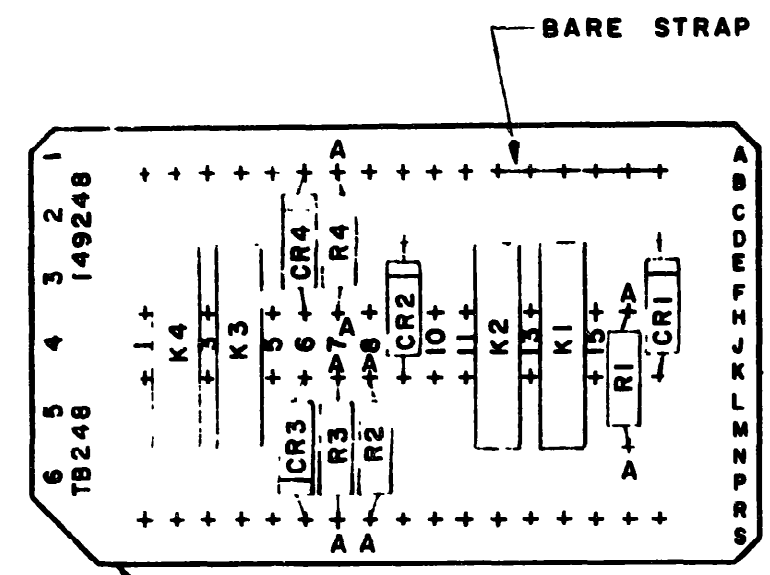
NOTE:  
CARD CONNECTIONS ARE REPRESENTED BY LETTERS  
TEST POINTS ARE REPRESENTED BY NUMBERS

APPROVALS

D AND R	E OF M

E-NUMBER  
PROD NO 149247  
DATE 3-11-65  
PD FILE NO 33-A2/AA  
DRAWN WO CHKD  
ENGR RHK APPD  
**TELETYPE CORPORATION**  
**149247**

**TB248**  
**149248**



ALPHA NUMERIC CONVERSION CHART		
STAMPING ON CIRCUIT BOARD	NUMERICAL CONVERSION FOR 15 PT. CARDS WHEN USED WITH 36 PT. CONNECTOR	
	WHEN INSERTED IN UPPER HALF OF CONNECTOR	WHEN INSERTED IN LOWER HALF OF CONNECTOR
A	1	22
B	2	23
C	3	24
D	4	25
E	5	26
F	6	27
G	7	28
H	8	29
I	9	30
J	10	31
K	11	32
L	12	33
M	13	34
N	14	35
P	15	36

**NOTE:**  
A-HOLES TO BE REDRILLED TO .068 DIA.(8 PLS)

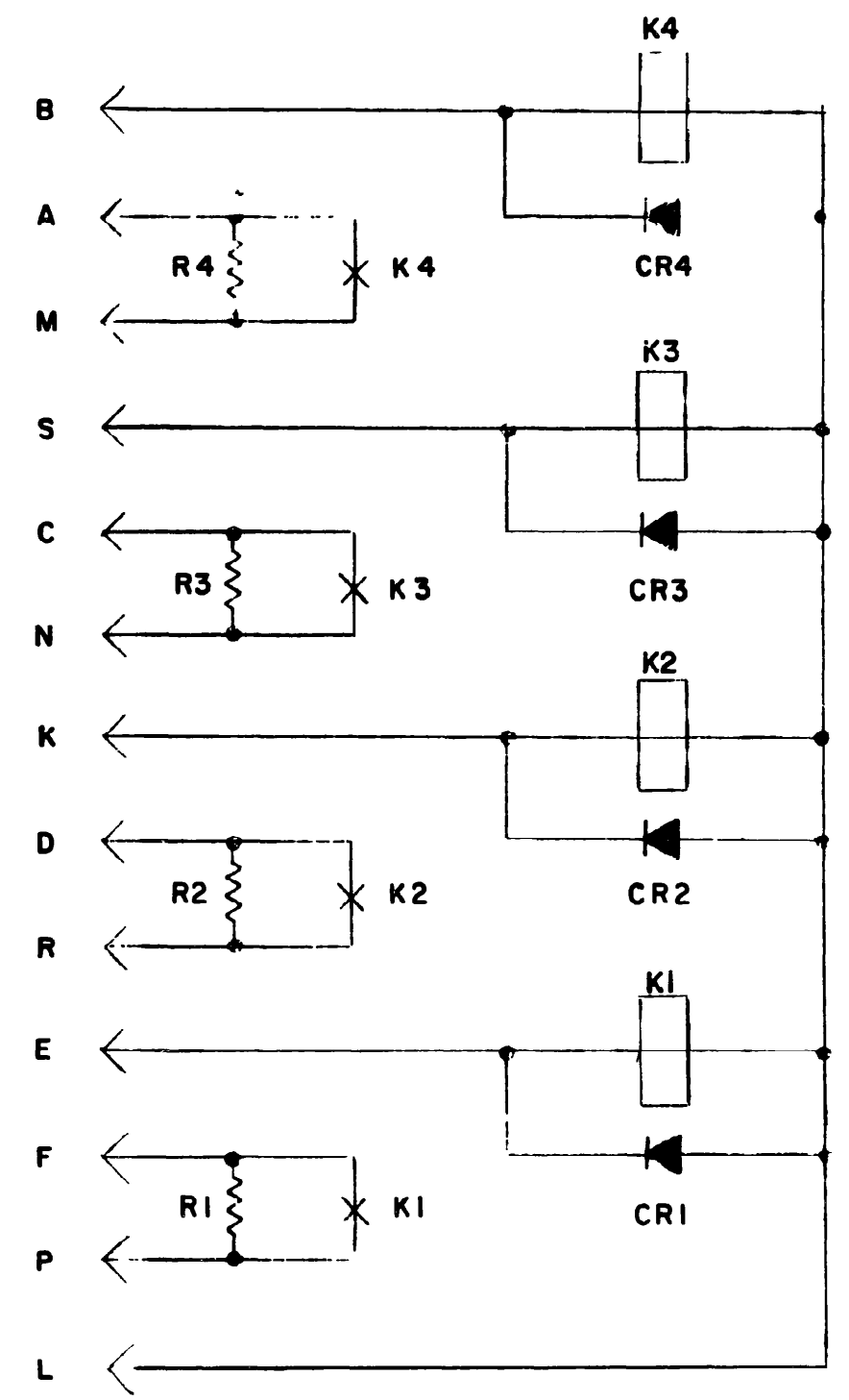
**NOTE:**  
REFER TO 5016WD FOR MARKING INFORMATION

REF. DESIGN	TELETYPE PART NO.	TOTAL QTY	NAME AND DESCRIPTION
K1	306843	4	RELAY, REED MAKE, 12 VOLTS
K2			SAME AS K1
K3			SAME AS K1
K4			SAME AS K1
CR1	177108	4	DIODE D2
CR2			SAME AS CR1
CR3			SAME AS CR1
CR4			SAME AS CR1
R1	310988	4	RESISTOR, FIXED 150 OHMS, 1W.
R2			SAME AS R1
R3			SAME AS R1
R4			SAME AS R1
		1	STRAP, 24 AWG BARE WIRE
TB	306978	1	ETCHED CIRCUIT BOARD

**TERMINAL BOARD TB248**

**149248**

REVISIONS		
ISSUE	DATE	AUTH NO
1		



**NOTE:**  
CARD CONNECTIONS ARE REPRESENTED BY LETTERS  
TEST POINTS ARE REPRESENTED BY NUMBERS

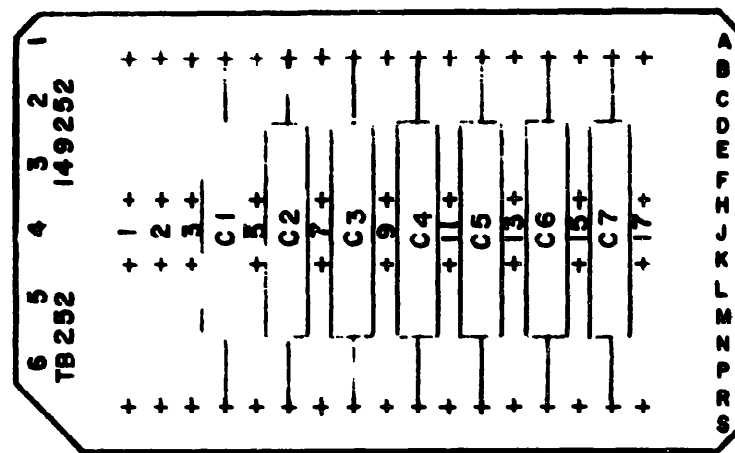
APPROVALS	
D AND R	E OF M
E-NUMBER	
PROD NO 149248	
DATE 5-11-65	
PD FILE NO 33-A2/65AA	
DRAWN WO	CHKD
ENGD RHK	APPD 11
<b>TELETYPE CORPORATION</b>	
<b>149248</b>	

TB 252

149252

TERMINAL BOARD TB252

149252



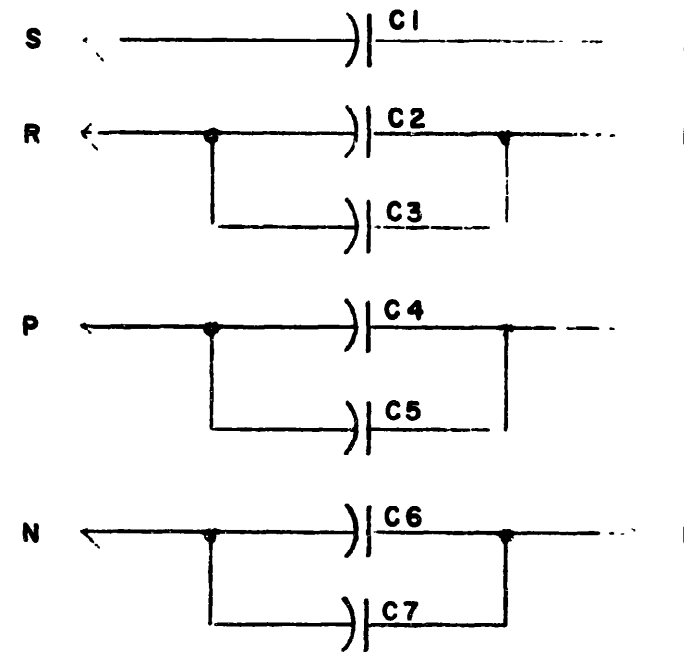
ALPHA NUMERIC CONNECTION GRID		
STAMPING ON CIRCUIT BOARD	NUMERICAL CONNECTION FOR 15 PT. CARDS WHEN USED WITH 36 PT. CONNECTOR	
	WHEN INSERTED IN UPPER HALF OF CONNECTOR	WHEN INSERTED IN LOWER HALF OF CONNECTOR
A	1	22
B	2	23
C	3	24
D	4	25
E	5	26
F	6	27
G	7	28
H	8	29
I	9	30
J	10	31
K	11	32
L	12	33
M	13	34
N	14	35
P	15	36

172366 ETCHED CIRCUIT BOARD

**NOTE:**  
REFER TO 5016WD FOR MARKING INFORMATION

REF. DESIGN	TELETYPE PART NO.	TOTAL QTY	NAME AND DESCRIPTION
C1	306798	7	CAPACITOR, 5 MFD, 100 VDC
C2			SAME AS C1
C3			" " "
C4			" " "
C5			" " "
C6			" " "
C7			" " "
	172366	1	CIRCUIT BOARD, ETCHED

FILTER CARD.



**NOTE:**  
ALL CAPACITORS 5 MFD.

**NOTE:**  
CARD CONNECTIONS ARE REPRESENTED BY LETTERS  
TEST POINTS ARE REPRESENTED BY NUMBERS

REVISIONS		
ISSUE	DATE	AUTH NO

APPROVALS

D AND R: \_\_\_\_\_ E OF M: \_\_\_\_\_

E-NUMBER: \_\_\_\_\_

PROD NO 149252

DATE 11-26-65

PD FILE NO 38-A2/65AA

DRAWN WO: \_\_\_\_\_ CHKD: \_\_\_\_\_

ENGD REP: \_\_\_\_\_ APPD: \_\_\_\_\_

TELETYPE CORPORATION

149252

TB253

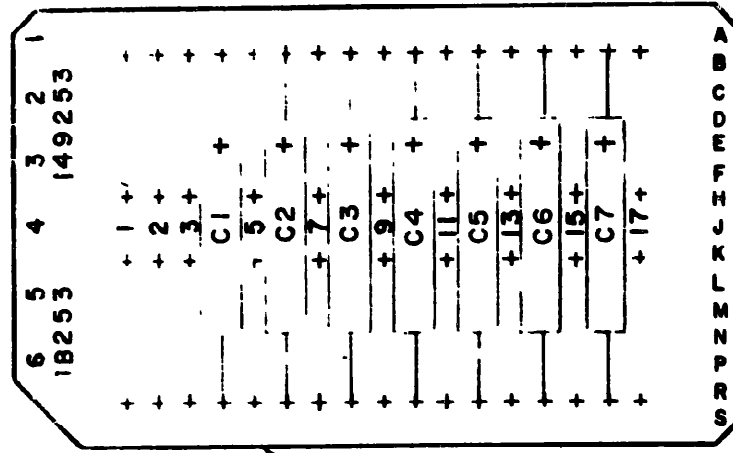
149253

TERMINAL BOARD TB253

149253

REVISIONS		
ISSUE	DATE	AUTH NC

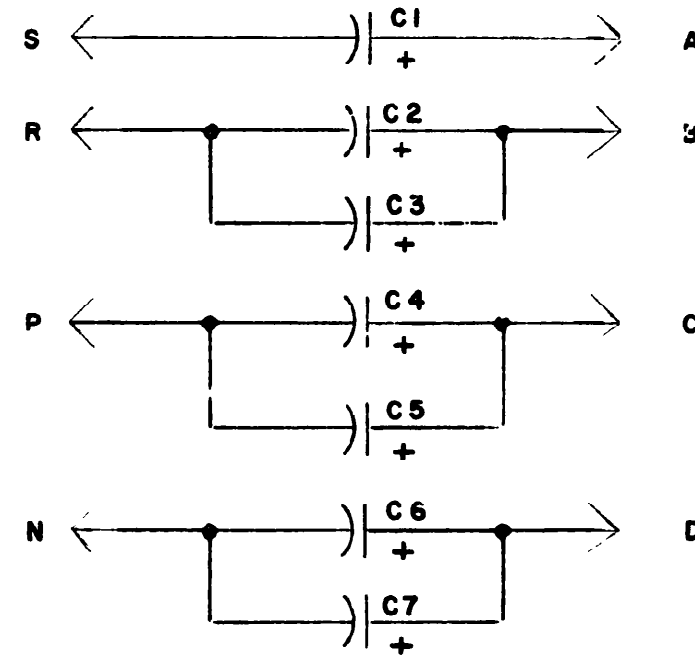
FILTER CARD.



17236 ETCHED CIRCUIT BOARD

NOTE:  
REFER TO 5016WD FOR MARKING  
INFORMATION

STAMPING ON CIRCUIT BOARD	ALPHA NUMERIC CONVERSION CHART	
	NUMERICAL CONVERSION FOR 15 PT CARDS WHEN USED WITH 36 PT. CONNECTOR	WHEN INSERTED IN UPPER HALF OF CONNECTOR
A	1	22
B	2	23
C	3	24
D	4	25
E	5	26
F	6	27
G	7	28
H	8	29
I	9	30
J	10	31
K	11	32
L	12	33
M	13	34
N	14	35
P	15	36



NOTE :  
ALL CAPACITORS 175 MFD.

REF. DESIGN	TELETYPE PART NO.	TOTAL QTY	NAME AND DESCRIPTION
C1	146736	7	CAPACITOR, 175 MFD, 15 VDC
C2			SAME AS C1
C3			" " "
C4			" " "
C5			" " "
C6			" " "
C7			" " "
	172366	1	CIRCUIT BOARD, ETCHED

NOTE:  
CARD CONNECTIONS ARE REPRESENTED BY LETTERS  
TEST POINTS ARE REPRESENTED BY NUMBERS

APPROVALS  
D AND R      E OF M

E-NUMBER  
PROD NO 149253  
DATE 11-26-65  
PD FILE NO 38 A2/65AA  
DRAWN WO      CHKD  
ENGD REP      APPD

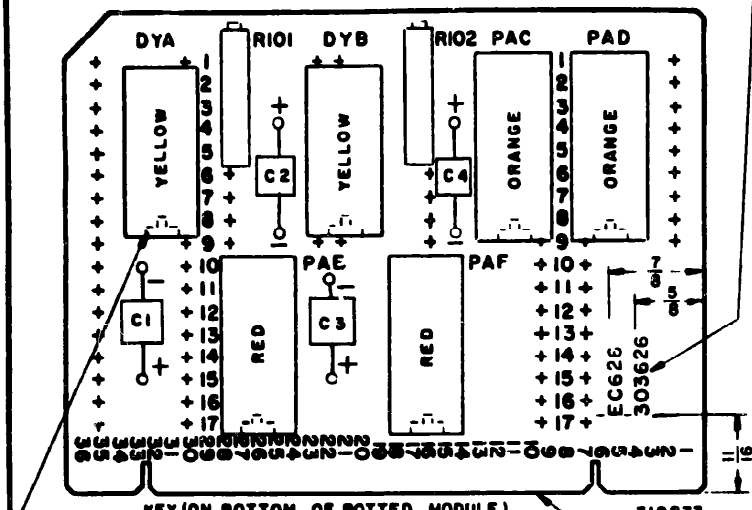
TELETYPE CORPORATION  
149253





SILK SCREEN DIMENSIONED CHARACTERS PLUS INFORMATION ON 6050WD. MAXIMUM SOLDER PROJECTION ON BACK OF CARD=1/16"

PLACE CHARACTERS .125 IN APPROX. POSITION SHOWN



KEY (ON BOTTOM OF POTTED MODULE) 310873 ETCHED CIRCUIT BOARD  
 NOTE 1) SIDE A OF BOARD HAS COMPONENTS  
 2) REFER TO 6050WD FOR BASIC MARKING INFORMATION. DOUBLE-SIDED

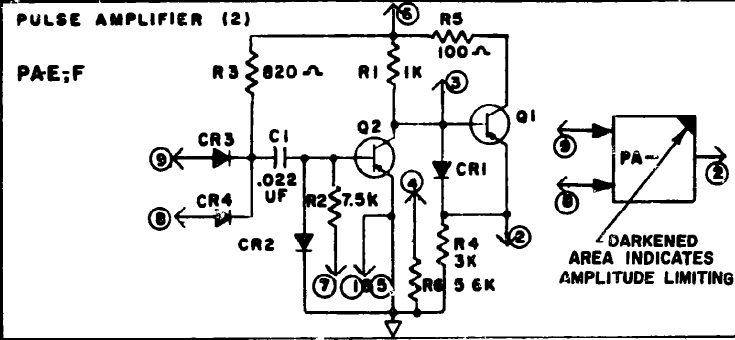
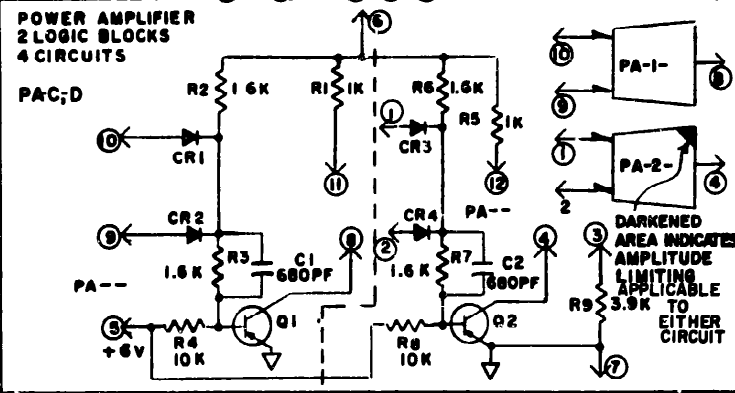
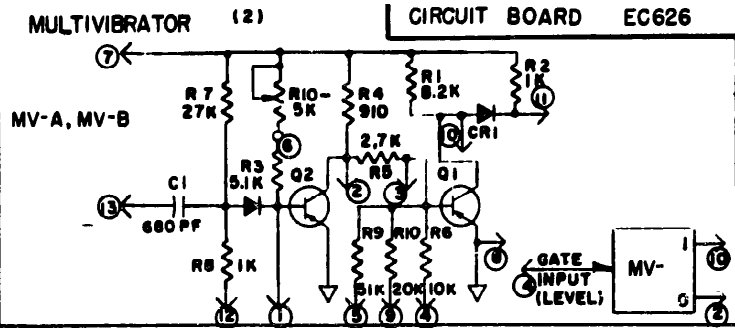
THIS CIRCUIT CARD USES SIX POTTED MODULES COMBINED WITH A FEW CONVENTIONAL COMPONENTS. THE YELLOW MODULES ARE USED AS ASTABLE MULTIVIBRATORS. DYA OSCILLATES AT 100 CPS AND HAS C1 EQUAL TO 1.0MFD AND C2 EQUAL TO .001MFD. DYB OSCILLATES AT 200 CPS AND HAS C3 EQUAL TO .001MFD AND C4 EQUAL TO .27MFD. C1 AND C3 ARE CONNECTED BETWEEN POINTS 1 AND 11 ON DYA AND DYB RESPECTIVELY. C2 AND C4 ARE CONNECTED BETWEEN POINTS 2 AND 3 ON DYA AND DYB RESPECTIVELY. ON BOTH DYA AND DYB, POINT 5 IS BROUGHT TO +6V. THE CIRCUITS WILL OSCILLATE WHEN -6V. IS APPLIED TO POINTS 4.

THE ORANGE MODULES EACH CONTAIN TWO POWER AMPLIFIERS. CR1, CR2, R2 AND CR3, CR4, R3 COMPRISE TWO SEPARATE OR GATED FOR THE INPUTS. IF EITHER OF THE INPUTS FROM ONE POWER AMP. IS 0V., THE OUTPUT IS -6V. IF BOTH OF THE INPUTS ARE -6V., THE OUTPUT IS 0V. AMPLITUDE LIMITING IS ACCOMPLISHED BY PLACING R4 IN PARALLEL WITH Q1 OR Q2. THIS RESISTOR CAN BE USED WITH ONLY ONE AMPLIFIER AT A TIME.

THE RED MODULES EACH CONTAIN ONE PULSE AMPLIFIER. CR3, CR4, AND R5 ACT AS AN OR GATE FOR THE INPUTS. A POSITIVE STEP AT EITHER OR BOTH INPUT (8) WILL NOT AFFECT THE OPERATION OF THIS CIRCUIT. HOWEVER, A NEGATIVE STEP AT ONE INPUT WHILE THE OTHER IS HELD AT -6V. WILL CAUSE THE OUTPUT TO GO TO 0V. THE OUTPUT WILL STAY AT 0V. UNTIL THE BASE OF Q2 GOES POSITIVE (CAUSED BY C3 CHARGING). THE OUTPUT STAYS AT 0V. FOR APPROXIMATELY 40μ SEC. AFTER 40μ SEC., THE OUTPUT GOES TO -6V. UNTIL THE TRAILING END OF THE NEXT INPUT PULSE. AMPLITUDE LIMITING IS ACCOMPLISHED BY TYPING POINT 3 TO POINT 4. THIS ALLOWS MORE CURRENT TO FLOW THROUGH R5 AND LESS CURRENT TO FLOW THROUGH Q1, THIS LOWERING THE VOLTAGE ACROSS R5.

IN THE TABLE AT THE RIGHT, THE FIRST VERTICAL COLUMN CORRESPONDS TO THE NUMERICAL DESIGNATIONS ON THE SCHEMATIC. THE FIRST HORIZONTAL ROW CORRESPONDS TO THE DESIGNATIONS GIVEN TO EACH MODULE ON THE CARD DRAWING. THE REMAINING PORTION OF THE TABLE INDICATES THE CARD PIN TO WHICH EACH MODULE PIN IS CONNECTED.

FOR FURTHER INFORMATION REFER TO DEPARTMENT OF DEFENSE SPECIFICATION NUMBERS: OR161623 OR161704, AND OR 161619; OR BEN-DIX CORPORATION SPECIFICATION NUMBERS 0652191-0501, 0652193-0501, 0652190-0501



	MV-A	MV-B	PAC	PAD	PAE	PAF	
①			B5	A4	B16	B16	A16 → GRD
②	B30	B22	A8	A3	A27	B11	B16 → GRD
③			A7	A2	A29	B10	A18 → +6V
④	B31	B23	B4	A1	A30	B9	B18 → +6V
⑤	B36	B25	A18	A18	B16	B16	B36 → +6V
⑥			A20	A20	A20	B20	B25 → +6V
⑦	A20	A20	B16	B16	A18	A18	A20 → -6V
⑧	B16	B16	B6	B1	A31	A11	B20 → -6V
⑨	A36	A25	B7	B2	A28	A12	
⑩	A34	B27	A9	B3			
⑪			A10	A5			
⑫	A33	A23	B8	A6			
⑬	A32	A22					

303626

REVISIONS		
NO.	DATE	AUTHOR
1	1-21-66	WDP

APPROVALS

R/AND D: *[Signature]* E OF M: *[Signature]*

E-NUMBER: *[Blank]*

PROD. NO. 303626

DATE: 2-10-66

R. & D. FILE NO. 38-A2/88AA

DRAWN W D CHKD. *[Signature]*

ENGR. R W B APPD. *[Signature]*

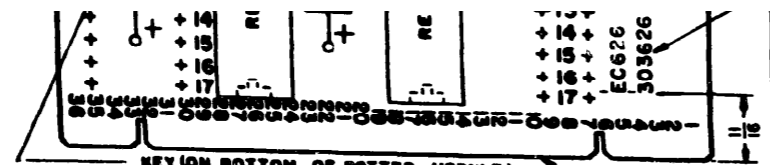
TELETYPE CORPORATION

303626

TM-11-5815-365-14-4-3

REF. DESIG.	TELETYPE PART NO.	TOTAL QTY.	NAME AND DESCRIPTION	LOCATING FUNCTION	REF. DESIG.	TELETYPE PART NO.	TOTAL QTY.	NAME AND DESCRIPTION	LOCATING FUNCTION
	310873	1	ETCHED CIRCUIT BOARD						
PAC, PAD	310881	2	POWER AMP POTTED MODULE						
DYA, DYB	310882	2	DELAY ALARM POTTED MODULE						
PAE, PAF	310883	2	PULSE AMP POTTED MODULE						
R10A, R10B	193299	2	5K 1W VARIABLE RESISTOR						
	144138	59	EYELETS						
C1	310929	1	1.0 MFD CAPACITOR 20VOLTS						
C2	310928	2	.68 " " 35VOLTS						
C3	310928	1	.68 " " 35VOLTS						
C4	310922	1	.27 " " 35VOLTS						

NOTE: THIS IS A NON-STANDARD ITEM AND IS NOT TO BE USED IN ANY NEW OR MODIFIED EQUIPMENT WITHOUT APPROVAL OF THE R & D STAFFING ORGANIZATION.



KEY (ON BOTTOM OF POTTED MODULE)  
 1) SIDE A OF BOARD HAS COMPONENTS.  
 2) REFER TO 6050MD FOR BASIC MARKING INFORMATION.

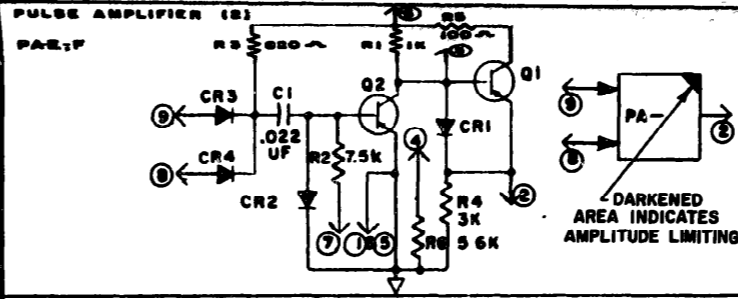
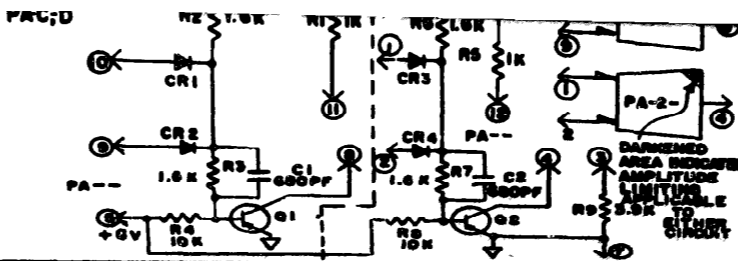
THIS CIRCUIT CARD USES SIX POTTED MODULES COMBINED WITH A FEW CONVENTIONAL COMPONENTS. THE YELLOW MODULES ARE USED AS ATTACK MULTIVIBRATORS. Q1A OSCILLATES AT 100 CPS AND Q1B AT 1.0 CPS AND Q2 OSCILLATES AT 100 CPS AND Q2B AT 1.0 CPS. Q3 AND Q4 ARE OSCILLATORS BETWEEN POINTS 4 AND 5 ON Q1A AND Q1B RESPECTIVELY. Q5 AND Q6 ARE CO-TESTED BETWEEN POINTS 2 AND 3 ON Q1A AND Q1B RESPECTIVELY. Q7 AND Q8 ARE CO-TESTED BETWEEN POINTS 2 AND 3 ON Q2A AND Q2B RESPECTIVELY. Q9 AND Q10 ARE CO-TESTED BETWEEN POINTS 2 AND 3 ON Q2A AND Q2B RESPECTIVELY. Q11 AND Q12 ARE CO-TESTED BETWEEN POINTS 2 AND 3 ON Q2A AND Q2B RESPECTIVELY. Q13 AND Q14 ARE CO-TESTED BETWEEN POINTS 2 AND 3 ON Q2A AND Q2B RESPECTIVELY. Q15 AND Q16 ARE CO-TESTED BETWEEN POINTS 2 AND 3 ON Q2A AND Q2B RESPECTIVELY. Q17 AND Q18 ARE CO-TESTED BETWEEN POINTS 2 AND 3 ON Q2A AND Q2B RESPECTIVELY. Q19 AND Q20 ARE CO-TESTED BETWEEN POINTS 2 AND 3 ON Q2A AND Q2B RESPECTIVELY. Q21 AND Q22 ARE CO-TESTED BETWEEN POINTS 2 AND 3 ON Q2A AND Q2B RESPECTIVELY. Q23 AND Q24 ARE CO-TESTED BETWEEN POINTS 2 AND 3 ON Q2A AND Q2B RESPECTIVELY. Q25 AND Q26 ARE CO-TESTED BETWEEN POINTS 2 AND 3 ON Q2A AND Q2B RESPECTIVELY. Q27 AND Q28 ARE CO-TESTED BETWEEN POINTS 2 AND 3 ON Q2A AND Q2B RESPECTIVELY. Q29 AND Q30 ARE CO-TESTED BETWEEN POINTS 2 AND 3 ON Q2A AND Q2B RESPECTIVELY. Q31 AND Q32 ARE CO-TESTED BETWEEN POINTS 2 AND 3 ON Q2A AND Q2B RESPECTIVELY. Q33 AND Q34 ARE CO-TESTED BETWEEN POINTS 2 AND 3 ON Q2A AND Q2B RESPECTIVELY. Q35 AND Q36 ARE CO-TESTED BETWEEN POINTS 2 AND 3 ON Q2A AND Q2B RESPECTIVELY. Q37 AND Q38 ARE CO-TESTED BETWEEN POINTS 2 AND 3 ON Q2A AND Q2B RESPECTIVELY. Q39 AND Q40 ARE CO-TESTED BETWEEN POINTS 2 AND 3 ON Q2A AND Q2B RESPECTIVELY. Q41 AND Q42 ARE CO-TESTED BETWEEN POINTS 2 AND 3 ON Q2A AND Q2B RESPECTIVELY. Q43 AND Q44 ARE CO-TESTED BETWEEN POINTS 2 AND 3 ON Q2A AND Q2B RESPECTIVELY. Q45 AND Q46 ARE CO-TESTED BETWEEN POINTS 2 AND 3 ON Q2A AND Q2B RESPECTIVELY. Q47 AND Q48 ARE CO-TESTED BETWEEN POINTS 2 AND 3 ON Q2A AND Q2B RESPECTIVELY. Q49 AND Q50 ARE CO-TESTED BETWEEN POINTS 2 AND 3 ON Q2A AND Q2B RESPECTIVELY.

THE ORANGE MODULES EACH CONTAIN TWO POWER AMPLIFIERS. CR1, CR2, CR3 AND CR4, CR5, CR6 COMPOSE THE SEPARATE OR GATES FOR THE INPUTS. IF EITHER OF THE INPUTS FROM ONE POWER AMP. IS 0V., THE OUTPUT IS -0V. IF BOTH OF THE INPUTS ARE -0V., THE OUTPUT IS 0V. AMPLITUDE LIMITING IS ACCOMPLISHED BY PLACING R9 IN PARALLEL WITH Q1 OR Q2. THIS RESISTOR CAN BE USED WITH ONLY ONE AMPLIFIER AT A TIME.

THE RED MODULES EACH CONTAIN ONE PULSE AMPLIFIER. CR7, CR8, AND CR9 ACT AS OR GATE FOR THE INPUTS. A POSITIVE STEP AT EITHER OR BOTH INPUT (8) WILL NOT AFFECT THE OPERATION OF THIS CIRCUIT. HOWEVER, A NEGATIVE STEP AT ONE INPUT WHILE THE OTHER IS HELD AT -0V. WILL CAUSE THE OUTPUT TO GO TO 0V. THE OUTPUT WILL STAY AT 0V. UNTIL THE EDGE OF CR9 GOES POSITIVE (CROSS BY C1 CHANGES). THE OUTPUT STAYS AT 0V. FOR APPROXIMATELY 40 μS SECS. AFTER 40 μS SECS., THE OUTPUT GOES TO -0V. UNTIL THE TRAILING END OF THE NEXT INPUT PULSE. AMPLITUDE LIMITING IS ACCOMPLISHED BY TYING POINT 3 TO POINT 4. THIS ALLOWS MORE CURRENT TO FLOW THROUGH R8 AND LESS CURRENT TO FLOW THROUGH Q3, THIS LOWERING THE VOLTAGE ACROSS R8.

IN THE TABLE AT THE RIGHT, THE FIRST VERTICAL COLUMN CORRESPONDS TO THE NUMERICAL DESIGNATIONS ON THE SCHEMATIC. THE FIRST HORIZONTAL ROW CORRESPONDS TO THE DESIGNATIONS GIVEN TO EACH MODULE ON THE CARD DRAWING. THE REMAINING PORTION OF THE TABLE INDICATES THE CARD PIN TO WHICH EACH MODULE PIN IS CONNECTED.

FOR FURTHER INFORMATION REFER TO DEPARTMENT OF DEFENSE SPECIFICATION NUMBERS: QM161623 QM161704, AND QM 161619, OR BENDIX CORPORATION SPECIFICATION NUMBERS 0652191-0501, 0652193-0501, 0652190-0501



	MV-A	MV-B	PAC	PAD	PAE	PAF	
①			B5	A4	B16	B16	A16 → GRD
②	B30	B22	A8	A3	A27	B11	B16 → GRD
③			A7	A2	A29	B10	A18 → +6V
④	B31	B23	B4	A1	A30	B9	B18 → +6V
⑤	B36	B25	A18	A18	B16	B16	B36 → +6V
⑥			A20	A20	A20	B20	B25 → +6V
⑦	A20	A20	B16	B16	A18	A18	A20 → -6V
⑧	B16	B16	B6	B1	A31	A11	B20 → -6V
⑨	A36	A25	B7	B2	A28	A12	
⑩	A34	B27	A9	B3			
⑪			A10	A5			
⑫	A33	A23	B8	A6			
⑬	A32	A22					

WDP

APPROVALS

R AND D E OF M

E-NUMBER

PROD. NO. 303626

DATE: 2-10-65

R. & D. FILE NO. 38-A2/3886

DRAWN W.D. CHKD. J.M.

ENGR. R.W.B. APPD. J.M.

TELETYPE CORPORATION

303626

REF. DESIG.	TELETYPE PART NO.	TOTAL QTY.	NAME AND DESCRIPTION	LOCATING FUNCTION	REF. DESIG.	TELETYPE PART NO.	TOTAL QTY.	NAME AND DESCRIPTION	LOCATING FUNCTION
	310873	1	ETCHED CIRCUIT BOARD						
PAC, PAD	310891	2	POWER AMP. POTTED MODULE						
PAC, PAD	310892	2	DELAY ALARM POTTED MODULE						
PAE, PAF	310893	2	PULSE AMP. POTTED MODULE						
RESISTOR	193289	2	5K 1W VARIABLE RESISTOR						
	144138	59	EYELETS						
C1	310929	1	1.0 MFD CAPACITOR 20VOLTS						
C2	310928	2	.68 " " 35VOLTS						
C3	310928	2	.68 " " 35VOLTS						
C4	310922	1	.27 " " 35VOLTS						

NOTE: THIS IS A NON-STANDARD ITEM AND IS NOT TO BE USED IN ANY NEW OR MODIFIED EQUIPMENT WITHOUT APPROVAL OF THE R & D STANDARD ORGANIZATION.

WDP

APPROVALS

R AND D E OF M

E-NUMBER

PROD. NO. 303626

DATE: 2-10-65

R. & D. FILE NO. 38-A2/3886

DRAWN W.D. CHKD. J.M.

ENGR. R.W.B. APPD. J.M.

TELETYPE CORPORATION

303626



**SILK SCREEN DIMENSIONED CHARACTERS PLUS INFORMATION ON 6050WD. MAXIMUM SOLDER PROJECTION ON BACK OF CARD=1/16"**  
**PLACE CHARACTERS 125 IN APPROX POSITION SHOWN**

**KEY (ON BOTTOM OF POTTED MODULE)**  
 310873 ETCHED CIRCUIT BOARD DOUBLE SIDED

**NOTE 1 SIDE A IS COMPONENT SIDE  
 2 REFER TO 6050WD FOR BASIC MARKING INFORMATION.**

THIS CIRCUIT CARD USES SIX POTTED MODULES COMBINED WITH A FEW CONVENTIONAL COMPONENTS. THE YELLOW MODULES ARE USED AS ONE-SHOT MULTIVIBRATORS. DYA PRODUCES AN OUTPUT PULSE OF 2 MS DURATION AND HAS C1 EQUAL TO .39 MFD. DYB PRODUCES AN OUTPUT PULSE OF 110 MS DURATION AND HAS C3 EQUAL TO .022 MFD. C1 IS BETWEEN POINTS 1 AND 11 ON DYA; AND C3 IS BETWEEN POINTS 1 AND 11 ON DYB. FOR BOTH CIRCUITS, POINT 9 IS AT +6V. AND POINT 12 IS GROUND. A POSITIVE PULSE OF AT LEAST 0.5 μS IN DURATION AT POINT 13 WILL PRODUCE A POSITIVE PULSE AT POINT 10 AND A NEGATIVE PULSE AT POINT 2. THE DURATION OF THESE OUTPUT PULSES IS DEPENDENT ON THE SETTING OF THE POT AND THE VALUE OF EXTERNAL CAPACITY USED.

THE ORANGE MODULES EACH CONTAIN TWO POWER AMPLIFIERS. CR1, CR2, R2 AND CR3, CR4, R6 COMPRISE TWO SEPARATE OR GATES FOR THE INPUTS. IF EITHER OF THE INPUTS FROM ONE POWER AMP. IS 0V., THE OUTPUT IS -6V. IF BOTH OF THE INPUTS ARE -6V., THE OUTPUT IS 0V. AMPLITUDE LIMITING IS ACCOMPLISHED BY PLACING R9 IN PARALLEL WITH Q1 OR Q2. THIS RESISTOR CAN BE USED WITH ONLY ONE AMPLIFIER AT A TIME.

THE RED MODULES EACH CONTAIN ONE PULSE AMPLIFIER. CR3, CR4, AND R3 ACT AS AN OR GATE FOR THE INPUTS. A POSITIVE STEP AT EITHER OR BOTH INPUT (8) WILL NOT AFFECT THE CONDITION OF THIS CIRCUIT. HOWEVER, A NEGATIVE STEP AT ONE INPUT WHILE THE OTHER IS HELD AT -6V WILL CAUSE THE OUTPUT TO GO TO 0V. THE OUTPUT WILL STAY AT 0V. UNTIL THE BASE OF Q2 GOES POSITIVE (CAUSED BY C1 CHARGING). THE OUTPUT STAYS AT 0V. FOR APPROX 0.40 MS SECS. AFTER 0.40 MS SECS. THE OUTPUT GOES TO -6V UNTIL THE TRAILING END OF THE NEXT INPUT PULSE. AMPLITUDE LIMITING IS ACCOMPLISHED BY TYPING POINT 3 TO POINT 9. THIS ALLOWS MORE CURRENT TO FLOW THROUGH R6 AND LESS CURRENT TO FLOW THROUGH R4, THUS LOWERING THE VOLTAGE ACROSS R4.

IN THE TABLE AT THE RIGHT, THE FIRST VERTICAL COLUMN CORRESPONDS TO THE NUMERICAL DESIGNATIONS ON THE SCHEMATIC. THE FIRST HORIZONTAL ROW CORRESPONDS TO THE DESIGNATIONS GIVEN TO EACH MODULE ON THE CARD DRAWING. THE REMAINING PORTION OF THE TABLE INDICATES THE CARD PIN TO WHICH EACH MODULE PIN IS CONNECTED.

FOR FURTHER INFORMATION REFER TO DEPARTMENT OF DEFENSE SPECIFICATION NUMBERS. 0816704, 08161610, AND 08161623. OR BENDIX CORPORATION SPECIFICATION NUMBERS 0652191-0501, 0652193-0501, 0652190-0501

**DELAY GENERATOR (2)  
 DY-A, B**

**CIRCUIT BOARD EC627**

**303627**

**POWER AMPLIFIER  
 2 LOGIC BLOCKS  
 4 CIRCUITS  
 PA-C-D**

**PULSE AMPLIFIER (2)  
 PA-E,-F**

	DY-A	DY-B	PA-C	PA-D	PA-E	PA-F	
①			B5	A4	B16	B16	A16 → GRD
②	B30	B22	A6	A3	A27	B11	B16 → GRD
③			A7	A2	A29	B10	A18 → +6V
④	B31	B23	B4	A1	A30	B9	B18 → +6V
⑤	B36	B25	A18	A18	B16	B16	A36 → +6V
⑥			A20	A20	A20	B20	A25 → +6V
⑦	A20	A20	B16	B16	A18	A18	A20 → -6V
⑧	B16	B16	B6	B1	A31	A11	B20 → -6V
⑨	A36	A25	B7	B2	A28	A12	
⑩	A34	B27	A9	B3			
⑪			A10	A5			
⑫	A33	A23	B8	A6			
⑬	A32	A22					

**APPROVALS**  
 R. AND D. E OF M  
 DATE: 2-10-68  
 R. & D. FILE NO. 68-AR/0044  
 DRAWN W.D. CHKD. W.D.  
 ENGR. R.W.B. APPD. W.D.  
**TELETYPE CORPORATION**  
 303627

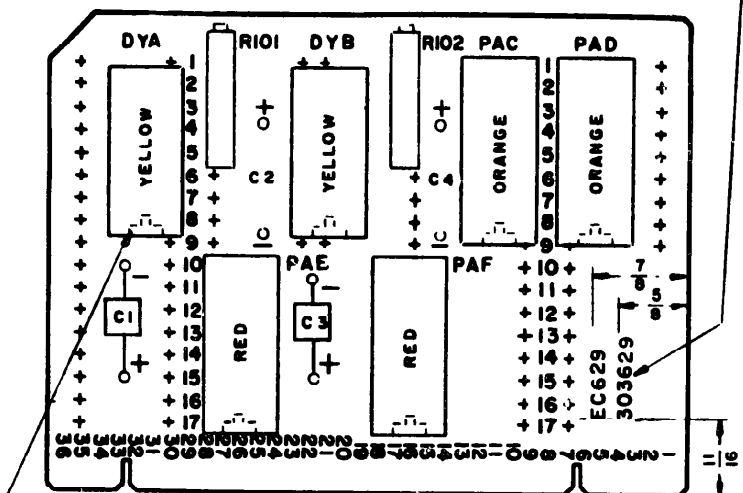
REF. DESIG.	TELETYPE PART NO.	TOTAL QTY.	NAME AND DESCRIPTION	LOCATING FUNCTION	REF. DESIG.	TELETYPE PART NO.	TOTAL QTY.	NAME AND DESCRIPTION	LOCATING FUNCTION
	310873	1	ETCHED CIRCUIT BOARD						
	310881	2	POWER AMP POTTED MODULE						
	310882	2	DELAY ALARM POTTED MODULE						
	310883	2	PULSE AMP. POTTED MODULE						
	193299	2	5K, 1W VARIABLE RESISTOR						
	144138	50	EYELETS						
	C1	310923	1	.39 MFD CAPACITOR, 35VOLTS					
	C3	310921	1	.022 " " " "					

**NOTE:** THIS IS A GEN-STANDARD ITEM AND SHOULD BE USED IN ANY NEW APPLICATION WITHOUT APPROVAL OF THE R & D STANDARDS ORGANIZATION.



SILK SCREEN DIMENSIONED CHARACTERS PLUS INFORMATION ON 6050WD. MAXIMUM SOLDER PROJECTION ON BACK OF CARD = 1/16

PLACE CHARACTERS 125 IN APPROX POSITION SHOWN



KEY (ON BOTTOM OF POTTED MODULE)  
 NOTES: 1. SIDE A MOUNTS COMPONENTS. DOUBLE-SIDED ETCHED CIRCUIT BOARD  
 2. REFER TO 6050WD FOR BASIC MARKING INFORMATION.

THIS CIRCUIT CARD USES SIX POTTED MODULES COMBINED WITH A FEW CONVENTIONAL COMPONENTS. THE YELLOW MODULES ARE USED AS ONE-SHOT MULTIVIBRATORS. DYA PRODUCES AN OUTPUT PULSE OF 1.6 MS DURATION AND HAS C1 EQUAL TO 33MFD. DYB PRODUCES AN OUTPUT PULSE OF 800µS DURATION AND HAS C2 EQUAL TO 10MFD. C1 IS BETWEEN POINTS 1 AND 11 ON DYA; AND C2 IS BETWEEN POINTS 1 AND 11 ON DYB. FOR BOTH CIRCUITS, POINT 9 IS AT +CV. AND POINT 12 IS GROUND. A POSITIVE PULSE OF AT LEAST 0.6µSECS. IN DURATION AT POINT 13 WILL PRODUCE A POSITIVE PULSE AT POINT 10 AND A NEGATIVE PULSE AT POINT 2. THE DURATION OF THESE OUTPUT PULSES IS DEPENDENT ON THE SETTING OF THE POT AND THE VALUE OF EXTERNAL CAPACITY USED.

THE ORANGE MODULES EACH CONTAIN TWO POWER AMPLIFIERS. CR1, CR2, R2 AND CR3, C4, R3 COMPRISE TWO SEPARATE OR GATES FOR THE INPUTS. IF EITHER OF THE INPUTS FROM ONE POWER AMP. IS 0V., THE OUTPUT IS -6V. IF BOTH OF THE INPUTS ARE -6V., THE OUTPUT IS 0V. AMPLITUDE LIMITING IS ACCOMPLISHED BY PLACING R9 IN PARALLEL WITH Q1 OR Q2. THIS RESISTOR CAN BE USED WITH ONLY ONE AMPLIFIER AT A TIME.

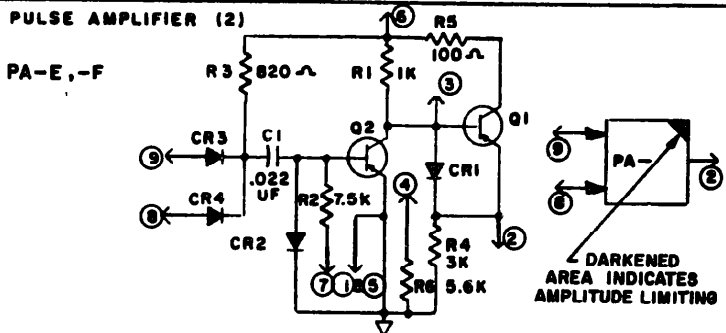
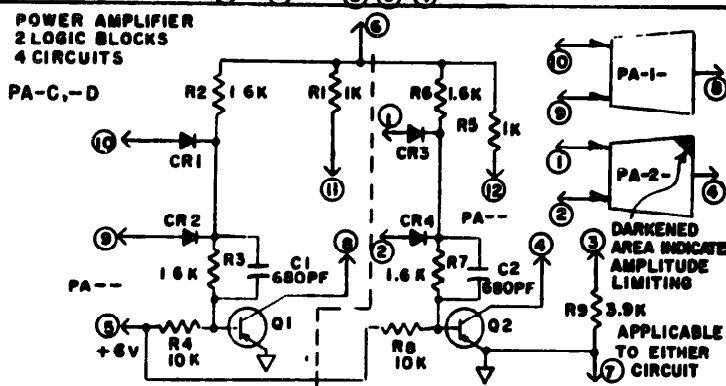
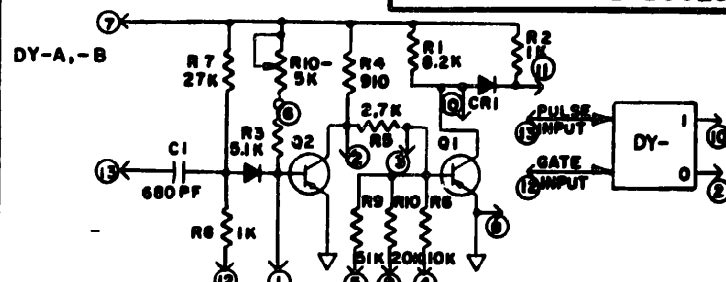
THE RED MODULES EACH CONTAIN ONE PULSE AMPLIFIER. CR3, CR4, AND R3 ACT AS AN OR GATE FOR THE INPUTS. A POSITIVE STEP AT EITHER OR BOTH INPUT(S) WILL NOT AFFECT THE CONDITION OF THIS CIRCUIT. HOWEVER, A NEGATIVE STEP AT ONE INPUT WHILE THE OTHER IS HELD AT -6V. WILL CAUSE THE OUTPUT TO GO TO 0V. THE OUTPUT WILL STAY AT 0V. UNTIL THE BASE OF Q2 GOES POSITIVE (CAUSED BY C1 CHARGING). THE OUTPUT STAYS AT 0V. FOR APPROXIMATELY 40µSECS AFTER 40µSECS THE OUTPUT GOES TO -6V. UNTIL THE TRAILING END OF THE NEXT INPUT PULSE. AMPLITUDE LIMITING IS ACCOMPLISHED BY TYPING POINT 3 TO POINT 4. THIS ALLOWS MORE CURRENT TO FLOW THROUGH R6 AND LESS CURRENT TO FLOW THROUGH R4, THIS LOWERING THE VOLTAGE ACROSS R4.

IN THE TABLE AT THE RIGHT, THE FIRST VERTICAL COLUMN CORRESPONDS TO THE NUMERICAL DESIGNATIONS ON THE SCHEMATIC. THE FIRST HORIZONTAL ROW CORRESPONDS TO THE DESIGNATIONS GIVEN TO EACH MODULE ON THE CARD DRAWING. THE REMAINING PORTION OF THE TABLE INDICATES THE CARD PIN TO WHICH EACH MODULE PIN IS CONNECTED.

FOR FURTHER INFORMATION REFER TO DEPARTMENT OF DEFENSE SPECIFICATION NUMBERS: ON161603, ON161704, AND ON161619 OR BENDIX CORPORATION SPECIFICATION NUMBERS: 0652191-0501, 0652190-0801, 0652193-0501

CIRCUIT BOARD EC629

303629



	DY-A	DY-B	PA-C	PA-D	PA-E	PA-F	
①			B5	A4	B16	B16	A16 → GRD
②	B30	B22	A8	A3	A27	B11	B16 → GRD
③			A7	A2	A29	B10	A10 → +6V
④	B31	B23	B4	A1	A30	B9	B18 → +6V
⑤	B36	B25	A18	A18	B16	B16	A36 → +6V
⑥			A20	A20	A20	B20	A25 → +6V
⑦	A20	A20	B16	B16	A18	A18	A20 → -6V
⑧	B16	B16	B6	B1	A31	A11	B20 → -6V
⑨	A36	A25	B7	B2	A28	A12	
⑩	A34	B27	A9	B3			
⑪			A10	A5			
⑫	A33	A23	B8	A6			
⑬	A32	A22					

REV	DATE	BY	CHKD
1	4-21-66	16970-B	

APPROVALS

R. AND D. E. OF M.

E-NUMBER

PROD. NO. 303629

DATE: 2-10-66

R. & D. FILE NO. 30-62/3000

DRAWN BY: [Signature]

ENGR. R.W.B. APPD. [Signature]

TELETYPE CORPORATION

303629

REF. DESIG.	TELETYPE PART NO.	TOTAL QTY.	NAME AND DESCRIPTION	LOCATING FUNCTION	REF. DESIG.	TELETYPE PART NO.	TOTAL QTY.	NAME AND DESCRIPTION	LOCATING FUNCTION
	310873	1	ETCHED CIRCUIT BOARD						
	310881	2	POWER AMP POTTED MODULE						
	310882	2	DELAY ALARM POTTED MODULE						
	310883	2	PULSE AMP. POTTED MODULE						
	193299	2	5K 1W VARIABLE RESISTOR						
	144138	50	EYELETS						
	C1	310927	1	.33 MFD CAPACITOR, 35 VOLT					
	C3	310926	1	15 " " 35 VOLT					

IS A HIGH STRENGTH ITEM AND NOT TO BE USED AS A TOOL OR FOR OTHER PURPOSES UNLESS SPECIFICALLY AUTHORIZED.

**4 CIRCUITS**  
PA-C, -D  
PA-E, -F

**PULSE AMPLIFIER (B)**

KEY ON BOTTOM OF POTTED MODULE  
NOTE: 1. MAKE A COMPLETE COMPONENTS DOUBLE-SIDED ETCHED CIRCUIT BOARD.  
2. REFER TO DRAWING FOR BASIC MARKING INFORMATION.

NEGATIVE PULSE AT POINT 2. THE DURATION OF THESE OUTPUT PULSES IS DEPENDENT ON THE SETTING OF THE POT AND THE VALUE OF EXTERNAL CAPACITY USED.

THE ORANGE MODULES EACH CONTAIN TWO POWER AMPLIFIERS. CR1, CR2, R2 AND CR3, CR4, R6 COMPRISE TWO SEPARATE OR GATES FOR THE INPUTS. IF EITHER OF THE INPUTS FROM ONE POWER AMP. IS 0V., THE OUTPUT IS -6V. IF BOTH OF THE INPUTS ARE -6V., THE OUTPUT IS 0V. AMPLITUDE LIMITING IS ACCOMPLISHED BY PLACING R9 IN PARALLEL WITH Q1 OR Q2. THIS RESISTOR CAN BE USED WITH ONLY ONE AMPLIFIER AT A TIME.

THE RED MODULES EACH CONTAIN ONE PULSE AMPLIFIER. CR3, CR4, AND R5 ACT AS AN OR GATE FOR THE INPUTS. A POSITIVE STEP AT EITHER OR BOTH INPUT(S) WILL NOT AFFECT THE CONDITION OF THIS CIRCUIT. HOWEVER, A NEGATIVE STEP AT ONE INPUT WHILE THE OTHER IS HELD AT -6V. WILL CAUSE THE OUTPUT TO GO TO 0V. THE OUTPUT WILL STAY AT 0V. UNTIL THE BASE OF Q2 GOES POSITIVE (CAUSED BY C1 CHARGING). THE OUTPUT STAYS AT 0V. FOR APPROXIMATELY 40 μSECS AFTER 40 μSECS THE OUTPUT GOES TO -6V. UNTIL THE TRAILING END OF THE NEXT INPUT PULSE. AMPLITUDE LIMITING IS ACCOMPLISHED BY TYPING POINT 3 TO POINT 4. THIS ALLOWS MORE CURRENT TO FLOW THROUGH R6 AND LESS CURRENT TO FLOW THROUGH R5, THUS LOWERING THE VOLTAGE ACROSS R5.

IN THE TABLE AT THE RIGHT, THE FIRST VERTICAL COLUMN CORRESPONDS TO THE NUMERICAL DESIGNATIONS ON THE SCHEMATIC. THE FIRST HORIZONTAL ROW CORRESPONDS TO THE DESIGNATIONS GIVEN TO EACH MODULE ON THE BOARD DRAWING. THE REMAINING PORTION OF THE TABLE INDICATES THE CARD PIN TO WHICH EACH MODULE PIN IS CONNECTED.

FOR FURTHER INFORMATION REFER TO DEPARTMENT OF DEFENSE SPECIFICATION NUMBERS: ON181603, ON181704, AND ON181810 OR BENDIX CORPORATION SPECIFIC ON NUMBERS: 0852191-0501, 0852190-0501, 0852193-0501

	DY-A	DY-B	PA-C	PA-D	PA-E	PA-F	
①			B5	A4	B16	B16	A16 → GRD
②	B30	B22	A6	A3	A27	B11	B16 → GRD
③			A7	A2	A29	B10	A18 → +6V
④	B31	B23	B4	A1	A30	B9	B18 → +6V
⑤	B36	B25	A18	A18	B16	B16	A36 → +6V
⑥			A20	A20	A20	B20	A25 → +6V
⑦	A20	A20	B16	B16	A18	A18	A20 → -6V
⑧	B16	B16	B6	B1	A31	A11	B20 → -6V
⑨	A36	A25	B7	B2	A28	A12	
⑩	A34	B27	A9	B3			
⑪			A10	A5			
⑫	A33	A23	B8	A6			
⑬	A32	A22					

DARKENED AREA INDICATES AMPLITUDE LIMITING

APPROVALS  
R AND D E OF M  
E-NUMBER  
PROD. NO. 303629  
DATE: 2-10-65  
R. & D. FILE NO. 38-42/4300  
DRAWN W O CHD.  
ENGD. R W B APPD. W J T

TELETYPE CORPORATION  
303629

REF. DESIG.	TELETYPE PART NO.	TOTAL QTY.	NAME AND DESCRIPTION	LOCATING FUNCTION	REF. DESIG.	TELETYPE PART NO.	TOTAL QTY.	NAME AND DESCRIPTION	LOCATING FUNCTION
	310873	1	ETCHED CIRCUIT BOARD						
PAC, PAD	310881	2	POWER AMP POTTED MODULE						
DYA, DYB	310882	2	DELAY ALARM POTTED MODULE						
PAE, PAF	310883	2	PULSE AMP. POTTED MODULE						
R10, R102	193299	2	5K 1W VARIABLE RESISTOR						
	144138	50	EYELETS						
C1	310927	1	.33 MFD CAPACITOR, 35 VOLT						
C3	310926	1	15 " " 35 VOLT						

NOTE: THIS IS A NEW STANDARD ITEM AND IS NOT TO BE USED IN ANY CASE OF APPLICATIONS UNLESS APPROVED BY THE R & D STAFFING DEPARTMENT.

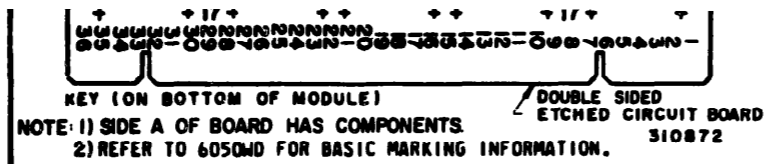
APPROVALS  
R AND D E OF M  
E-NUMBER  
PROD. NO. 303629  
DATE: 2-10-65  
R. & D. FILE NO. 38-42/4300  
DRAWN W O CHD.  
ENGD. R W B APPD. W J T

TELETYPE CORPORATION  
303629









THIS CIRCUIT CARD USES 7 POTTED MODULES INSTEAD OF THE CONVENTIONAL COMPONENTS. THE BLACK MODULES CONTAIN ONE FLIP-FLOP EACH; THE RED MODULES CONTAIN RESISTOR, CAPACITOR, DIODE COMBINATIONS TO BE USED AS ADDITIONAL INPUTS FOR THE FLIP FLOPS

IF THE "1" OUTPUT IS SETTING AT -6V, A POSITIVE PULSE ON EITHER SET OF THE "1" SIDE COMBINED WITH ITS ASSOCIATED PRIME WILL CAUSE THE "1" OUTPUT TO SWITCH TO ZERO VOLTS. THE SAME CONDITIONS HOLD TRUE FOR THE "0" SIDE

WHEN THE FLIP-FLOP IS OPERATED IN THE COMPLEMENT MODE, EVERY INCOMING PULSE WILL CHANGE THE STATE OF THE FLIP-FLOP

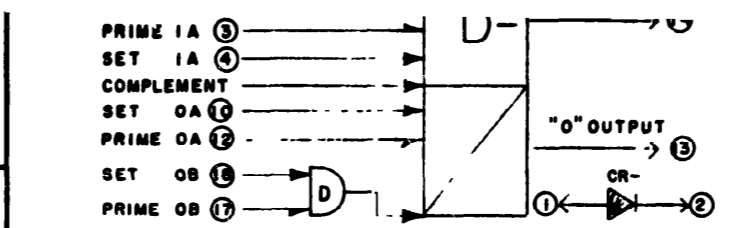
FOR MORE DETAILED INFORMATION SEE DEPARTMENT OF DEFENSE SPEC ONIGIG7 & ONIGIG22 OR BENDIX SPECIFICATION NUMBER 0652192-0301, 0652189-0301

ON THE SECOND CHART AT THE RIGHT THE FIRST VERTICAL COLUMN INDICATES THE REFERENCE DESIGNATIONS ON THE SCHEMATIC. THE FIRST TWO HORIZONTAL ROWS INDICATE WHICH FLIP-FLOPS USE WHICH SUPPLEMENTARY "D"'S. THE REMAINING ROWS MAKE REFERENCE TO THE PIN NUMBERS AT THE BOTTOM OF THE SUPPLEMENTARY D MODULES

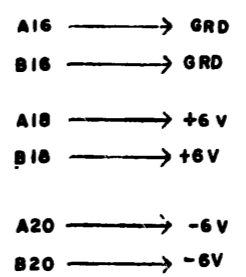
IN THE FIRST CHART AT THE RIGHT, THE TOP HORIZONTAL ROW INDICATES THE FIVE FLIP-FLOPS

IN THE FIRST VERTICAL ROW THE NUMBERS 1 THRU 14 INDICATE THE PIN NUMBERS OF THE FLIP-FLOP POTTED MODULES. THE NUMBERS 15 THROUGH 18 ARE REFERENCE NUMBERS FOR THE SECOND CHART. THE REMAINING PORTION OF THE FIRST CHART INDICATES THE CARD PINS TO WHICH THE MODULES ARE CONNECTED

IN SCHEMATIC ALL DESIGNATED COMPONENTS ARE LOCATED IN BLACK MODULE; ALL NON-DESIGNATED COMPONENTS ARE LOCATED IN RED MODULE



	D-B	D-C	D-D	D-E	D-F
1	A33	A27		A13	B4
2	A34	A26		A14	A3
3	A35	A24	B14	A12	A2
4	A36	B24	B13	A11	A1
6	A18	A18	A18	A18	A18
7	A16	A16	A16	A16	A16
8	B20	B20	B20	B20	B20
9	A18	A18	A18	A18	A18
10	B36	A25	A22	B12	B1
12	B35	B25	B23	B11	B2
13	B34	B26	B22	B10	B3
14	B33	A32	A23	B9	A10
15	A29	A31	B7	A8	A4
16	B30	B31	A9	B6	A5
17	A30	B29	B28	A7	A6
18	B32	B27	A28	B8	B5



	SUDA			SUDG		
	D-B	D-C	D-D	D-D	D-E	D-F
15	11	12		12	11	6
16	4	13		13	4	5
17	15	14		14	15	7
18	3	10	6		3	10
19	2	9	5		2	9
20	1	8	7		1	8

APPROVALS

R AND D E OF M

E-NUMBER

PROD. NO. 303686

DATE: 2-10-65

R. & D. FILE NO. 38-A2/65AA

DRAWN WO CHKD.

ENGR. RWB APPD.

TELETYPE CORPORATION

303686

REF. DESIG.	TELETYPE PART NO.	TOTAL QTY.	NAME AND DESCRIPTION	LOCATING FUNCTION	REF. DESIG.	TELETYPE PART NO.	TOTAL QTY.	NAME AND DESCRIPTION	LOCATING FUNCTION
	310872	1	ETCHED CIRCUIT BOARD						
FFB FFF	310879	5	POTTED MODULE FLIP-FLOP						
FFB FFF	310880	2	POTTED MODULE SUPP.-D						
	144138	39	EYELETS						

NOTE: THIS IS A NON-STANDARD ITEM AND IS NOT TO BE USED IN ANY NEW APPLICATION WITHOUT APPROVAL OF THE R & D STIMULANS ORGANIZATION.

APPROVALS

R AND D E OF M

E-NUMBER

PROD. NO. 303686

DATE: 2-10-65

R. & D. FILE NO. 38-A2/65AA

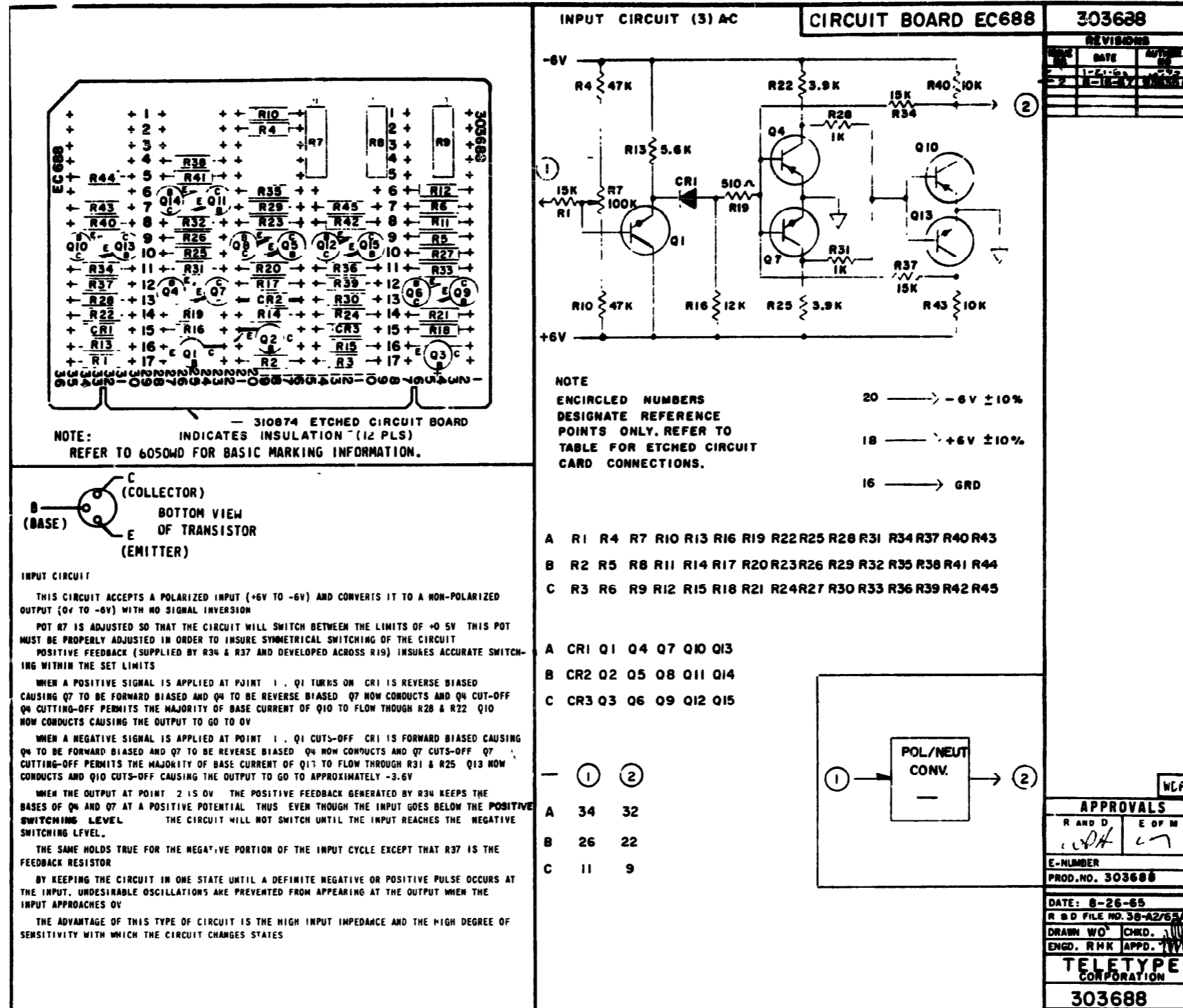
DRAWN WO CHKD.

ENGR. RWB APPD.

TELETYPE CORPORATION

303686



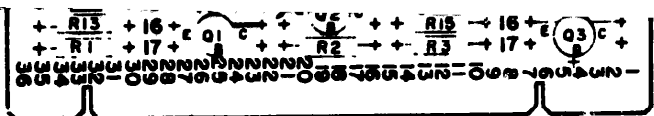


303688		
REVISIONS		
NO.	DATE	AUTHOR
1	11-21-65	WCP
2	11-21-65	WCP

APPROVALS	
R AND D	E OF M
WCP	WCP
E-NUMBER	
PROD. NO. 303688	
DATE: 8-26-65	
R & D FILE NO. 38-A2/65AA	
DRAWN WO	CHKD.
ENGD. R H K	APPD.
<b>TELETYPE CORPORATION</b>	
<b>303688</b>	

REF. DESIG.	TELETYPE PART NO.	TOTAL QTY.	NAME AND DESCRIPTION	LOCATING FUNCTION	REF. DESIG.	TELETYPE PART NO.	TOTAL QTY.	NAME AND DESCRIPTION	LOCATING FUNCTION
CR1	181619	3	DIODE, SILICON	COUPLING DIODE	R22	143667	6	RESISTOR FIXED, 3.9K	COLLECTOR LOAD
CR2			SAME AS CR1	COUPLING DIODE	R23			SAME AS R22	COLLECTOR LOAD
CR3			SAME AS CR1	COUPLING DIODE	R24			SAME AS R22	COLLECTOR LOAD
Q1	192769	3	TRANSISTOR, 2N929	INPUT AMPLIFIER	R25			SAME AS R22	COLLECTOR LOAD
Q2			SAME AS Q1	INPUT AMPLIFIER	R26			SAME AS R22	COLLECTOR LOAD
Q3			SAME AS Q1	INPUT AMPLIFIER	R27			SAME AS R22	COLLECTOR LOAD
Q4	182690	3	TRANSISTOR, 2N1305	AMPLIFIER	R28	137440	6	RESISTOR, FIXED 1K	BASE BIAS
Q5			SAME AS Q4	AMPLIFIER	R29			SAME AS R28	BASE BIAS
Q6			SAME AS Q4	AMPLIFIER	R30			SAME AS R28	BASE BIAS
Q7	198422	3	TRANSISTOR, 2N1304	AMPLIFIER	R31			SAME AS R28	BASE BIAS
Q8			SAME AS Q7	AMPLIFIER	R32			SAME AS R28	BASE BIAS
Q9			SAME AS Q7	AMPLIFIER	R33			SAME AS R28	BASE BIAS
Q10	177105	3	TRANSISTOR, P-22	OUTPUT AMPLIFIER	R34			SAME AS R1	FEEDBACK RESISTOR
Q11			SAME AS Q10	OUTPUT AMPLIFIER	R35			SAME AS R1	FEEDBACK RESISTOR
Q12			SAME AS Q10	OUTPUT AMPLIFIER	R36			SAME AS R1	FEEDBACK RESISTOR
			TRANSISTOR, P-22	COMPLEMENTARY O.P.	R37			SAME AS R1	FEEDBACK RESISTOR
					R38			SAME AS R1	FEEDBACK RESISTOR



NOTE: INDICATES INSULATION (12 PLS)  
REFER TO 6050MD FOR BASIC MARKING INFORMATION.



**INPUT CIRCUIT**  
THIS CIRCUIT ACCEPTS A POLARIZED INPUT (+6V TO -6V) AND CONVERTS IT TO A NON-POLARIZED OUTPUT (0V TO -6V) WITH NO SIGNAL INVERSION  
POT R7 IS ADJUSTED SO THAT THE CIRCUIT WILL SWITCH BETWEEN THE LIMITS OF +0.5V. THIS POT MUST BE PROPERLY ADJUSTED IN ORDER TO INSURE SYMMETRICAL SWITCHING OF THE CIRCUIT POSITIVE FEEDBACK (SUPPLIED BY R34 & R37 AND DEVELOPED ACROSS R19) INSURES ACCURATE SWITCHING WITHIN THE SET LIMITS.  
WHEN A POSITIVE SIGNAL IS APPLIED AT POINT 1, Q1 TURNS ON, CRI IS REVERSE BIASED CAUSING Q7 TO BE FORWARD BIASED AND Q4 TO BE REVERSE BIASED. Q7 NOW CONDUCTS AND Q4 CUTS-OFF PERMITTING THE MAJORITY OF BASE CURRENT OF Q10 TO FLOW THROUGH R28 & R22. Q10 NOW CONDUCTS CAUSING THE OUTPUT TO GO TO 0V.  
WHEN A NEGATIVE SIGNAL IS APPLIED AT POINT 1, Q1 CUTS-OFF, CRI IS FORWARD BIASED CAUSING Q4 TO BE FORWARD BIASED AND Q7 TO BE REVERSE BIASED. Q4 NOW CONDUCTS AND Q7 CUTS-OFF. Q7 CUTTING-OFF PERMITTS THE MAJORITY OF BASE CURRENT OF Q13 TO FLOW THROUGH R31 & R25. Q13 NOW CONDUCTS AND Q10 CUTS-OFF CAUSING THE OUTPUT TO GO TO APPROXIMATELY -3.6V  
WHEN THE OUTPUT AT POINT 2 IS 0V, THE POSITIVE FEEDBACK GENERATED BY R34 KEEPS THE BASES OF Q4 AND Q7 AT A POSITIVE POTENTIAL, THUS EVEN THOUGH THE INPUT GOES BELOW THE POSITIVE SWITCHING LEVEL, THE CIRCUIT WILL NOT SWITCH UNTIL THE INPUT REACHES THE NEGATIVE SWITCHING LEVEL.  
THE SAME HOLDS TRUE FOR THE NEGATIVE PORTION OF THE INPUT CYCLE EXCEPT THAT R37 IS THE FEEDBACK RESISTOR  
BY KEEPING THE CIRCUIT IN ONE STATE UNTIL A DEFINITE NEGATIVE OR POSITIVE PULSE OCCURS AT THE INPUT, UNDESIRABLE OSCILLATIONS ARE PREVENTED FROM APPEARING AT THE OUTPUT WHEN THE INPUT APPROACHES 0V.  
THE ADVANTAGE OF THIS TYPE OF CIRCUIT IS THE HIGH INPUT IMPEDANCE AND THE HIGH DEGREE OF SENSITIVITY WITH WHICH THE CIRCUIT CHANGES STATES

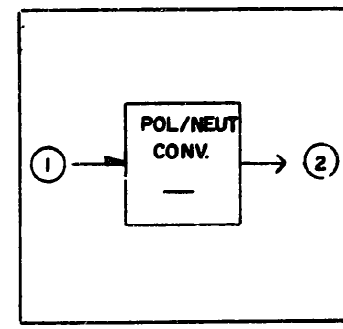
NOTE  
ENCIRCLED NUMBERS DESIGNATE REFERENCE POINTS ONLY. REFER TO TABLE FOR ETCHED CIRCUIT CARD CONNECTIONS.

20 → -6V ±10%  
18 → +6V ±10%  
16 → GRD

- A R1 R4 R7 R10 R13 R16 R19 R22 R25 R28 R31 R34 R37 R40 R43
- B R2 R5 R8 R11 R14 R17 R20 R23 R26 R29 R32 R35 R38 R41 R44
- C R3 R6 R9 R12 R15 R18 R21 R24 R27 R30 R33 R36 R39 R42 R45

- A CRI Q1 Q4 Q7 Q10 Q13
- B CR2 Q2 Q5 Q8 Q11 Q14
- C CR3 Q3 Q6 Q9 Q12 Q15

- ① ②
- A 34 32
- B 26 22
- C 11 9



APPROVALS

R AND D: [Signature] E OF M: [Signature]

E-NUMBER: [Blank]

PROD. NO. 303688

DATE: 8-26-65

R & D FILE NO 38-A2/65AA

DRAWN WO: [Signature] CHKD: [Signature]

ENGD. RPK APPD: [Signature]

TELETYPE CORPORATION

303688

REF. DESIG.	TELETYPE PART NO.	TOTAL QTY.	NAME AND DESCRIPTION	LOCATING FUNCTION	REF. DESIG.	TELETYPE PART NO.	TOTAL QTY.	NAME AND DESCRIPTION	LOCATING FUNCTION
CRI	181619	3	DIODE, SILICON	COUPLING DIODE	R22	148607	6	RESISTOR FIXED, 3.0K	COLLECTOR LOAD
Q2			SAME AS CRI	COUPLING DIODE	R23			SAME AS R22	COLLECTOR LOAD
CR3			SAME AS CRI	COUPLING DIODE	R24			SAME AS R22	COLLECTOR LOAD
Q1	192769	1	TRANSISTOR, 2N929	INPUT AMPLIFIER	R25			SAME AS R22	COLLECTOR LOAD
Q2			SAME AS Q1	INPUT AMPLIFIER	R26			SAME AS R22	COLLECTOR LOAD
Q3			SAME AS Q1	INPUT AMPLIFIER	R27			SAME AS R22	COLLECTOR LOAD
Q4	182840	3	TRANSISTOR, 2N1305	AMPLIFIER	R28	137440	6	RESISTOR, FIXED 1K	BASE BIAS
Q5			SAME AS Q4	AMPLIFIER	R29			SAME AS R28	BASE BIAS
Q6			SAME AS Q4	AMPLIFIER	R30			SAME AS R28	BASE BIAS
Q7	198422	3	TRANSISTOR, 2N1304	AMPLIFIER	R31			SAME AS R28	BASE BIAS
Q8			SAME AS Q7	AMPLIFIER	R32			SAME AS R28	BASE BIAS
Q9			SAME AS Q7	AMPLIFIER	R33			SAME AS R28	BASE BIAS
Q10	177105	3	TRANSISTOR, P-22	OUTPUT AMPLIFIER	R34			SAME AS R1	FEEDBACK RESISTOR
Q11			SAME AS Q10	OUTPUT AMPLIFIER	R35			SAME AS R1	FEEDBACK RESISTOR
Q12			SAME AS Q10	OUTPUT AMPLIFIER	R36			SAME AS R1	FEEDBACK RESISTOR
Q13	177106	3	TRANSISTOR, 33	COMPLEMENTARY O.P.	R37			SAME AS R1	FEEDBACK RESISTOR
Q14			SAME AS Q13	COMPLEMENTARY O.P.	R38			SAME AS R1	FEEDBACK RESISTOR
Q15			SAME AS Q13	COMPLEMENTARY O.P.	R39			SAME AS R1	FEEDBACK RESISTOR
R1	118150	9	RESISTOR FIXED 15K	INPUT RESISTOR	R40	118180	6	RESISTOR FIXED, 10K	COLLECTOR LOAD
R2			SAME AS R1	INPUT RESISTOR	R41			SAME AS R40	COLLECTOR LOAD
R3			SAME AS R1	INPUT RESISTOR	R42			SAME AS R40	COLLECTOR LOAD
R4	118154	6	RESISTOR FIXED 47K	INPUT NETWORK	R43			SAME AS R40	COLLECTOR LOAD
R5			SAME AS R4	INPUT NETWORK	R44			SAME AS R40	COLLECTOR LOAD
R6			SAME AS R4	INPUT NETWORK	R45			SAME AS R40	COLLECTOR LOAD
R7	177317	3	RESISTOR, VARIABLE 100K	INPUT BALANCE		144495	12	PAD TRANSISTOR	
R8			SAME AS R7	INPUT BALANCE		144138	33	EYELETS	
R9			SAME AS R7	INPUT BALANCE		310874	1	CIRCUIT BOARD, ETCHED	
R10			SAME AS R4	INPUT NETWORK		RM60340	12	INSULATOR	
R11			SAME AS R4	INPUT NETWORK					
R12			SAME AS R4	INPUT NETWORK					
R13	118186	3	RESISTOR FIXED 5.6K	EMITTER LOAD		300116	1	TRANSISTOR CAP Q5	
R14			SAME AS R13	EMITTER LOAD					
R15			SAME AS R13	EMITTER LOAD					
R16	118149	3	RESISTOR, FIXED 12K	BASE BIAS		324147	3	PAD, TRANSISTOR	Q1, Q2, Q3
R17			SAME AS R16	BASE BIAS					
R18			SAME AS R16	BASE BIAS					
R19	137603	3	RESISTOR FIXED 510 OHMS	FEEDBACK RESISTOR					
R20			SAME AS R19	FEEDBACK RESISTOR					
R21			SAME AS R19	FEEDBACK RESISTOR					

APPROVALS

R AND D: [Signature] E OF M: [Signature]

E-NUMBER: [Blank]

PROD. NO. 303688

DATE: 8-25-65

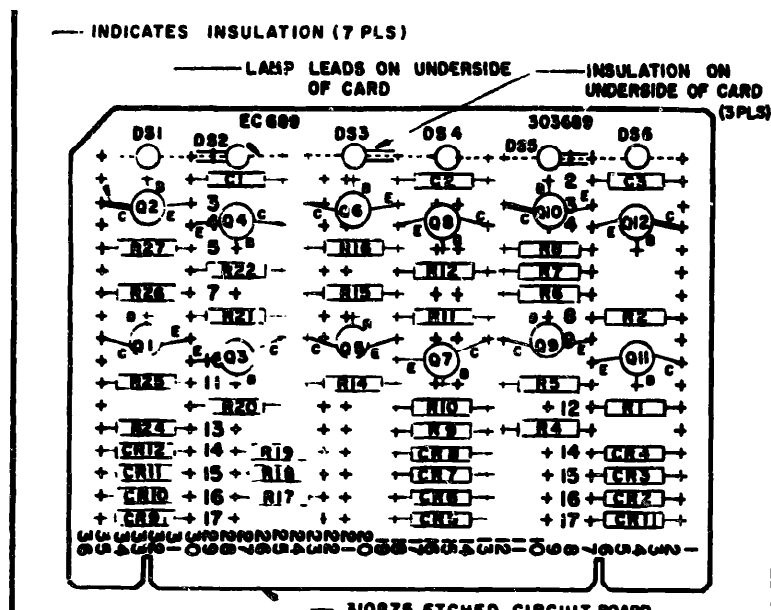
R & D FILE NO 38-A2/65AA

DRAWN WO: [Signature] CHKD: [Signature]

ENGD. RPK APPD: [Signature]

TELETYPE CORPORATION

303688



NOTE:  
 REFER TO 6050MD FOR BASIC MARKING INFORMATION.

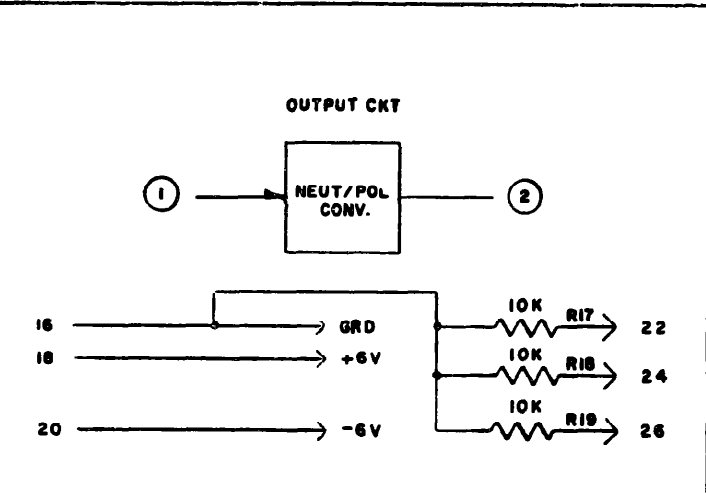
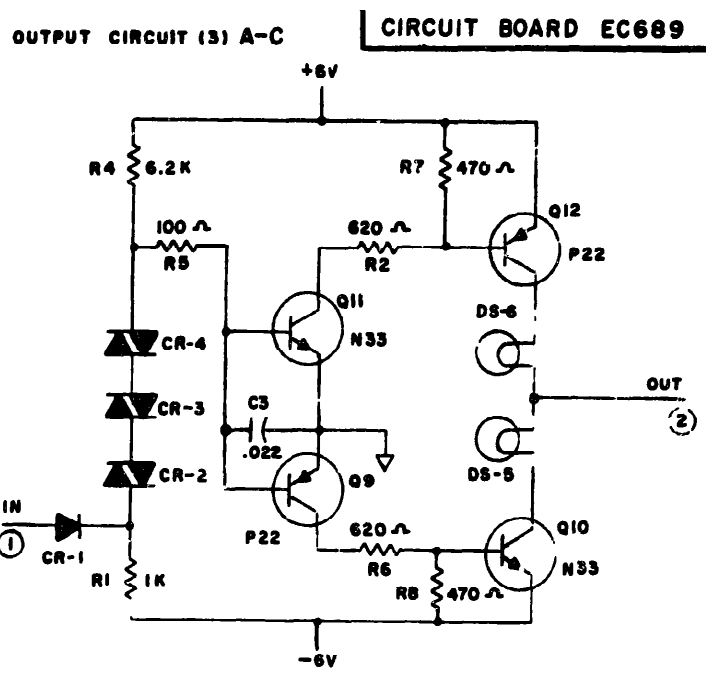


THIS CIRCUIT ACCEPTS A NON-POLARIZED INPUT (0V TO -6V.) AND CONVERTS IT TO A POLARIZED OUTPUT (+6V TO -6V) WITH NO SIGNAL INVERSION.

WHEN THE INPUT AT POINT 1 IS 0V., VARISTORS CR2 TO CR4 ACT AS A HIGH RESISTANCE PERMITTING THE MAJORITY OF THE CURRENT THROUGH R4 TO FLOW THROUGH R5 & THE BASE-EMITTER JUNCTION OF Q11. THUS, Q11 IS CONDUCTING, AND Q9 IS CUT-OFF. THE COLLECTOR CURRENT OF Q11 FLOWS THROUGH R2 AND THE BASE-EMITTER JUNCTION OF Q12. THEREFORE, Q12 IS CONDUCTING CAUSING THE OUTPUT AT POINT 2 TO GO TO +6V.

WHEN THE INPUT AT POINT 1 IS -6V. CR2 TO CR4 ACT AS A LOW RESISTANCE PERMITTING THE MAJORITY OF THE CURRENT THROUGH R1 TO FLOW THROUGH CR2, CR3, CR4, R5 AND THE BASE-EMITTER JUNCTION OF Q9. THUS, Q9 IS CONDUCTING AND Q11 IS CUT-OFF. THE COLLECTOR CURRENT OF Q9 FLOWS THROUGH R8 AND THE BASE-EMITTER JUNCTION OF Q10. THEREFORE Q10 IS CONDUCTING CAUSING THE OUTPUT AT POINT 2 TO GO TO -6V.

IF POINT 2 WERE TO BE GROUNDED, 40MA WOULD FLOW THROUGH Q10 OR Q12 (DETERMINED BY WHICH TRANSISTOR HAPPENS TO BE ON) THE LAMP WOULD LIMIT CURRENT TO THIS 40MA VALUE.



A	CR1	CR2	CR3	CR4	R4	R1	R5	R7	R6	R7	R8	C3	Q11	Q9	Q12	Q10	DS-3	DS-5
B	CR5	CR6	CR7	CR8	R9	R10	R14	R11	R15	R12	R16	C2	Q7	Q5	Q8	Q6	DS-4	DS-3
C	CR9	CR10	CR11	CR12	R24	R20	R25	R21	R76	R22	R27	C1	Q3	Q1	Q4	Q2	DS-2	DS-1

	(1)	(2)
A	5	4
B	14	13
C	32	31

APPROVALS

R. AND D. E. OF M

E-NUMBER

PROD. NO. 303689

DATE: 2-17-68

R. & D. FILE NO. 38-A2/85A

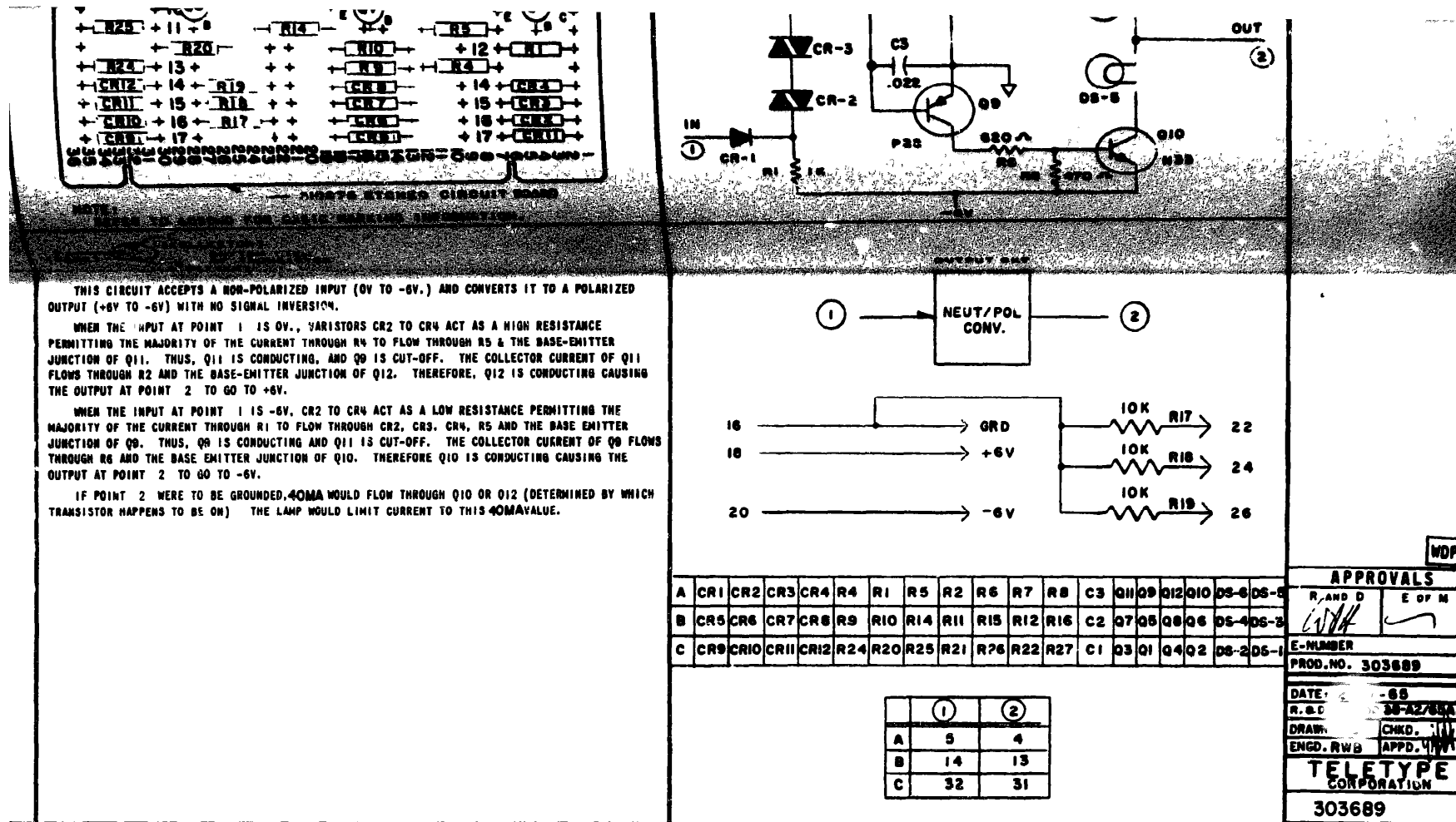
DRAWN WQ CHKD. WDP

ENGR. RWB APPD. WDP

TELETYPE CORPORATION

303689

REF. DESIG.	TELETYPE PART NO.	TOTAL QTY.	NAME AND DESCRIPTION	LOCATING FUNCTION	REF. DESIG.	TELETYPE PART NO.	TOTAL QTY.	NAME AND DESCRIPTION	LOCATING FUNCTION
R1	137440	3	RESISTOR, FIXED 1000 OHMS	BIAS RESISTOR	Q1	177105	6	TRANSISTOR, P22	AMPLIFIER
R2	137604	6	RESISTOR, FIXED 620 OHMS	COLLECTOR LOAD	Q2	177106	6	TRANSISTOR, N33	AMPLIFIER
R9	143663	3	RESISTOR, FIXED 6.2K OHMS	BIAS RESISTORS	Q8			SAME AS Q2	
R5	137436	3	RESISTOR, FIXED 100 OHMS	CURRENT LIMITING	Q4			SAME AS Q1	
R6			SAME AS R2		Q5			SAME AS Q1	
R7	137602	6	RESISTOR, FIXED 470 OHMS	BASE LOAD	Q6			SAME AS Q2	
R8			SAME AS R7		Q7			SAME AS Q2	
R9			SAME AS R4		Q8			SAME AS Q1	
R10			SAME AS R1		Q9			SAME AS Q1	
R11			SAME AS R2		Q10			SAME AS Q2	
R12			SAME AS R7		Q11			SAME AS Q2	
					Q12			SAME AS Q1	
R14			SAME AS R5		DS1	310885	6	LAMP	CURRENT LIMITING
R15			SAME AS R2		DS2			SAME AS DS1	
					DS3			SAME AS DS1	



APPROVALS

R AND D E OF M

E-NUMBER

PROD. NO. 303689

DATE: 2-17-63

R & D FILE NO. 38-A2/63AA

DRAWN: W.D. CHKD. J.W.

ENGR. R.W.B. APPD. J.W.

TELETYPE CORPORATION

303689

REF. DESIG.	TELETYPE PART NO.	TOTAL QTY.	NAME AND DESCRIPTION	LOCATING FUNCTION	REF. DESIG.	TELETYPE PART NO.	TOTAL QTY.	NAME AND DESCRIPTION	LOCATING FUNCTION
R1	137440	3	RESISTOR, FIXED 1000 OHMS	BIAS RESISTOR	Q1	177105	6	TRANSISTOR, P22	AMPLIFIER
R2	137604	6	RESISTOR, FIXED 620 OHMS	COLLECTOR LOAD	Q2	177106	6	TRANSISTOR, N33	AMPLIFIER
R4	143663	3	RESISTOR, FIXED 6.2K OHMS	BIAS RESISTORS	Q8			SAME AS Q2	
R5	137438	3	RESISTOR, FIXED 100 OHMS	CURRENT LIMITING	Q9			SAME AS Q1	
R6			SAME AS R2		Q5			SAME AS Q1	
R7	137602	6	RESISTOR, FIXED 470 OHMS	BASE LOAD	Q6			SAME AS Q2	
R8			SAME AS R7		Q7			SAME AS Q2	
R9			SAME AS R4		Q8			SAME AS Q1	
R10			SAME AS R1		Q9			SAME AS Q1	
R11			SAME AS R2		Q10			SAME AS Q2	
R12			SAME AS R7		Q11			SAME AS Q2	
R12			SAME AS R7		Q12			SAME AS Q1	
R14			SAME AS R5		DS1	310885	6	LAMP	CURRENT LIMITING
R15			SAME AS R2		DS2			SAME AS DS1	
R16			SAME AS R7		DS3			SAME AS DS1	
R17	118180	3	RESISTOR, FIXED 10K	EXTERNAL RESISTOR	DS4			SAME AS DS1	
R18			SAME AS R17	EXTERNAL RESISTOR	DS5			SAME AS DS1	
R19			SAME AS R17	EXTERNAL RESISTOR	DS6			SAME AS DS1	
R20			SAME AS R1						
R21			SAME AS R2						
R22			SAME AS R7						
R24			SAME AS R4						
R25			SAME AS R5						
R26			SAME AS R2						
R27			SAME AS R7						
CR1	177108	3	DIODE, D2	INPUT DIODE					
CR2	178844	9	VARISTOR, 100A	COUPLING DIODE					
CR3			SAME AS CR2						
CR4			SAME AS CR2						
CR5			SAME AS CR1						
CR6			SAME AS CR2						
CR7			SAME AS CR2						
CR8			SAME AS CR2						
CR9			SAME AS CR1						
CR10			SAME AS CR2						
CR11			SAME AS CR2						
CR12			SAME AS CR2						
C1	199851	3	CAPACITOR, FIXED .022 MFD 400 VOLTS						
C2			"						
C3			"						

APPROVALS

R AND D E OF M

E-NUMBER

PROD. NO. 303689

DATE: 2-17-63

R & D FILE NO. 38-A2/63AA

DRAWN: W.D. CHKD. J.W.

ENGR. R.W.B. APPD. J.W.

TELETYPE CORPORATION

303689

SILK SCREEN CHARACTERS .125 HIGH  
IN POSITION SHOWN

NOTE:  
REFER TO 6050MD FOR BASIC MARKING INFORMATION.

148801 ETCHED CIRCUIT BOARD

BOTTOM VIEW OF TRANSISTOR  
(BASE) (COLLECTOR) (EMITTER)

BOTTOM VIEW OF UNIUNCTION  
B1 B2

THE POWER AMPLIFIER PROVIDES A NON-INVERTED NOMINAL OUTPUT OF 0 V AND 5.45W AMPLITUDE. IT IS CAPABLE OF SUPPLYING 80MA WHEN Q4 IS ON.

WITH 0V APPLIED TO PIN 9, Q3 CUTS-OFF. THIS CAUSES Q4 TO CONDUCT, WHICH PLACES THE OUTPUT (PIN 7) AT 0V. WITH -6V APPLIED TO PIN 9, Q3 CONDUCTS. THIS HOLDS Q4 CUT-OFF, WHICH CAUSES THE OUTPUT TO BE -5.45W. THE OUTPUT IS -5.45W BECAUSE OF THE AMPLITUDE LIMITING RESISTOR R13, WHICH ALLOWS CURRENT TO FLOW THROUGH R7 EVEN THOUGH Q4 IS CUT-OFF.

THE GATED OSCILLATOR PROVIDES SWITCHING OF THE OUTPUT TRANSISTOR (Q5) ACCORDING TO A SET TIME CONSTANT (DETERMINED BY THE SETTING OF R15).

WHEN PIN 13 IS AT 0V, Q1 IS CUT-OFF. CR2 IS THUS FORWARD BIASED. THIS HOLDS THE EMITTER OF Q2 AT A CONSTANT -12V. C1 CANNOT CHARGE. THUS, Q5 IS NOT CONDUCTING.

WHEN PIN 13 IS AT -6V, Q1 IS CONDUCTING. CR2 IS REVERSE BIASED. C1 CAN NOW CHARGE THROUGH R15, R2, R1. WHEN THE VOLTAGE ACROSS C1 REACHES A CERTAIN VALUE, Q2 WILL CONDUCT. A NEGATIVE PULSE APPEARS AT THE BASE OF Q5 CAUSING Q5 TO CONDUCT EVERY TIME THIS PULSE OCCURS. WHEN THIS PULSE IS NO LONGER PRESENT, Q5 CUTS-OFF.

THE EC690 CIRCUIT CARD WAS DESIGNED TO OPERATE IN CONJUNCTION WITH THE EC672 OR EC730 MAGNET DRIVER CIRCUIT CARDS. THE POWER AMPLIFIER SECTION SUPPLIES A CHARACTER SAMPLE PULSE TO PIN 22 OF THE MAGNET DRIVER CARD. THE GATED OSCILLATOR SECTION SUPPLIES A TIMED RESET PULSE TO PIN 30 OF THE MAGNET DRIVER CARD. 1.9 MS AFTER RECEIVING A NEGATIVE GOING INDICATION FROM THE SAME PIN (1) E THE OUTPUT, PIN 5, OF THE GATED OSCILLATOR IS CONNECTED TO ITS OUTPUT, PIN 13. REFER TO SHEET 2 FOR A DETAILED DESCRIPTION OF CIRCUIT CHARACTERISTICS.

LOGIC CARD      **CIRCUIT BOARD EC690**      **303690**

SYMBOLS      DARKENED AREA INDICATES AMPLITUDE LIMITING

REVISIONS

REV. NO.	DATE	AUTHOR
1	3-26-65	W. J. ...
2	4-4-65	...
3	10-2-65	...
4	12-1-65	...
5	12-1-65	...
6	4-9-70	...

ISSUE CONTROL RECORD

SHEET NO.	ISSUE
1	1
2	2
3	3
4	4
5	5
6	6
7	7
8	8
9	9
10	10
11	11
12	12
13	13
14	14
15	15
16	16
17	17
18	18
19	19
20	20

SHEET 1 OF 2

APPROVALS

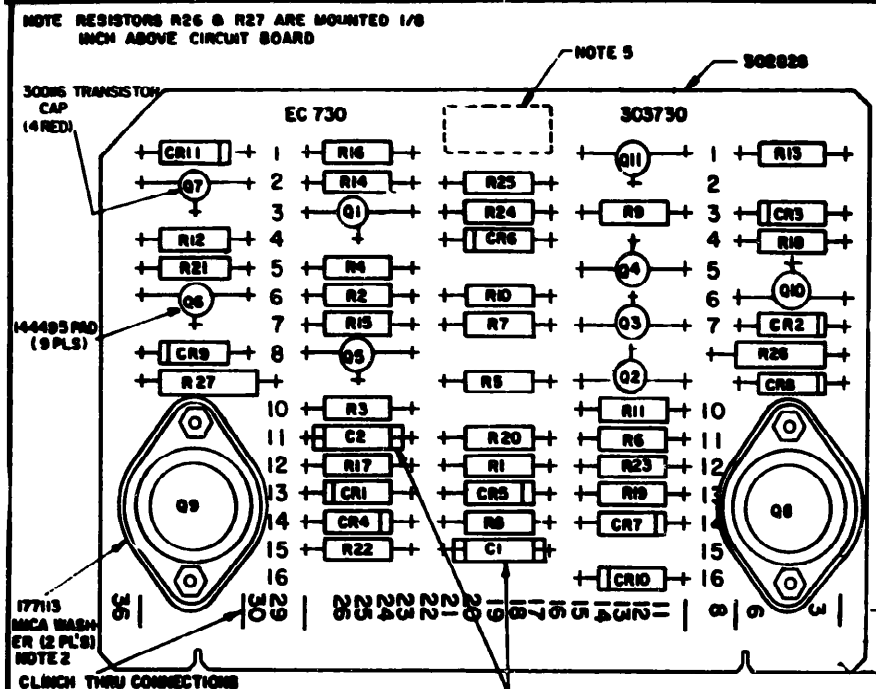
R AND D	E OF M
E-NUMBER	E-NUMBER
PROD. NO. 303690	
DATE: 3-26-65	
R & D FILE NO. 36-A2/65AA	
DRAWN BY	CHKD.
ENGR. RWB	APPD. RWB

**TELETYPE CORPORATION**  
303690

REF. DESIG.	TELETYPE PART NO.	TOTAL QTY.	NAME AND DESCRIPTION	LOCATING FUNCTION	REF. DESIG.	TELETYPE PART NO.	TOTAL QTY.	NAME AND DESCRIPTION	LOCATING FUNCTION
R1	143889	1	RESISTOR 360 OHMS	VOLTAGE DROPPING					
R2	118180	2	RESISTOR 10K OHMS	TIMING RESISTOR					
R3			SAME AS R2	BASE INPUT					
R4	137441	3	RESISTOR 1200 OHMS	COLLECTOR LOAD					
R5	118153	2	RESISTOR 33K OHMS	BASE BIAS					
R6			SAME AS R4						
R7			SAME AS R4						
R8	137602	1	RESISTOR 470 OHMS	BASE 2 LOAD					
R9	143467	1	RESISTOR 3000 OHMS	BASE INPUT					
R10	118151	1	RESISTOR 18K OHMS	BASE BIAS					
R11			SAME AS R5						
R12	118177	1	RESISTOR 22K OHMS	FEEDBACK					
R13	137440	1	RESISTOR 1000 OHMS	VOLTAGE DIVER					
R14	118154	1	RESISTOR 47K OHMS	BASE BIAS					
R15	148836	1	POTENTIOMETER 20K OHMS	TIMING ADJUST					

3 - 3 5





**CIRCUIT DESCRIPTION**

THIS CARD CONTROLS THE MAGNET COIL OF A DRPE PUNCH. TRANSISTOR Q8 TURNS THE MAGNET COIL ON AND OFF. TRANSISTOR Q9 TURNS ON 55 VOLTS TO RAPIDLY ENERGIZE THE COIL

TO PUNCH A HOLE, 0 VOLTS IS APPLIED TO A PRIME INPUT 15 BEING FOLLOWED BY A 5 VOLT POSITIVE PULSE (PUNCH SAMPLE) ON INPUT 22. THIS PUTS A POSITIVE PULSE ON THE BASE OF Q3, SHUTTING IT OFF THE COLLECTOR OF Q3 GOES NEGATIVE, TURNING Q2 ON, AND 0 VOLTS APPEARS ON THE COLLECTOR OF Q2 THIS HOLDS Q3 OFF AND TURNS OFF Q10, PUTTING 0 VOLTS ON THE EMITTER OF Q10, WHICH TURNS OFF Q8 AND THE MAGNET IS DE-ENERGIZED

1.9 MS + 0.05 MS AFTER THE TIME PIN 24 GOES NEGATIVE, A POSITIVE PULSE IS GENERATED IN THE DRPE CONTROL CARD AND IS APPLIED TO PIN 30 TO RESET THE FLIP-FLOP AND TURN Q8 BACK ON THIS POSITIVE PULSE IS COUPLED THROUGH C2 TO TURN Q5 OFF WHICH TURNS Q1 ON, APPLYING POSITIVE BIAS TO THE BASE OF Q7. Q7 TURNS OFF AND EMITTER FOLLOWER Q6 APPLIES NEGATIVE BIAS TO THE BASE OF Q9. Q9 TURNS ON APPLYING 55 VOLTS TO THE MAGNET COIL

WHEN THE CURRENT IN THE MAGNET COIL HAS REACHED THE CORRECT LEVEL, THE VOLTAGE BETWEEN TERMINALS 35 (36) AND 31 (32,33) REACHES 13 VOLTS THIS IS THE ZENER POINT FOR CR11 SO IT STARTS TO CONDUCT, ALLOWING A FORWARD BIAS ON Q11 TO BE DEVELOPED ACROSS R13. Q11 TURNS ON, PUTTING NEGATIVE BIAS ON THE BASE OF Q4, TURNING Q4 ON. THE COLLECTOR OF Q4 GOES TO 0 VOLTS WHICH IS APPLIED THROUGH CR6 TO THE COLLECTOR OF Q5, TURNING Q5 ON. THIS TURNS Q1 OFF, PUTTING NEGATIVE BIAS TO THE BASE OF Q7 TURNING IT ON. THIS PUTS 0 VOLTS ON THE BASE OF Q9, TURNING IT OFF TO REMOVE THE 55 VOLTS FROM THE MAGNET COIL

INPUTS 3 AND 13 ALLOW THE PUNCHING CYCLE TO BE STARTED BY A POSITIVE PULSE TURNING Q2 ON AT THE COLLECTOR. NO PRIME IS NECESSARY WHEN THIS INPUT IS USED

NOTES

- THIS IS A DOUBLE SIDED BOARD, THE COMPONENT SIDE IS USED AS A HEAT SINK
- MICA WASHER MUST BE CENTERED UNDER TRANSISTOR WITH THE ENTIRE EDGE VISIBLE.
- APPLY 80728 NUT WITH 11-13 IN - LB TORQUE.
- SILK SCREEN ALL CHARACTERS 1/8 HIGH WITH BLACK ENAMEL AFTER SOLDER PLATING.
- TRADEMARK TO BE REDUCED TO SPECIFIED SIZE FROM APPROVED ART WORK R AND D PHOTO NO. 661015-10.

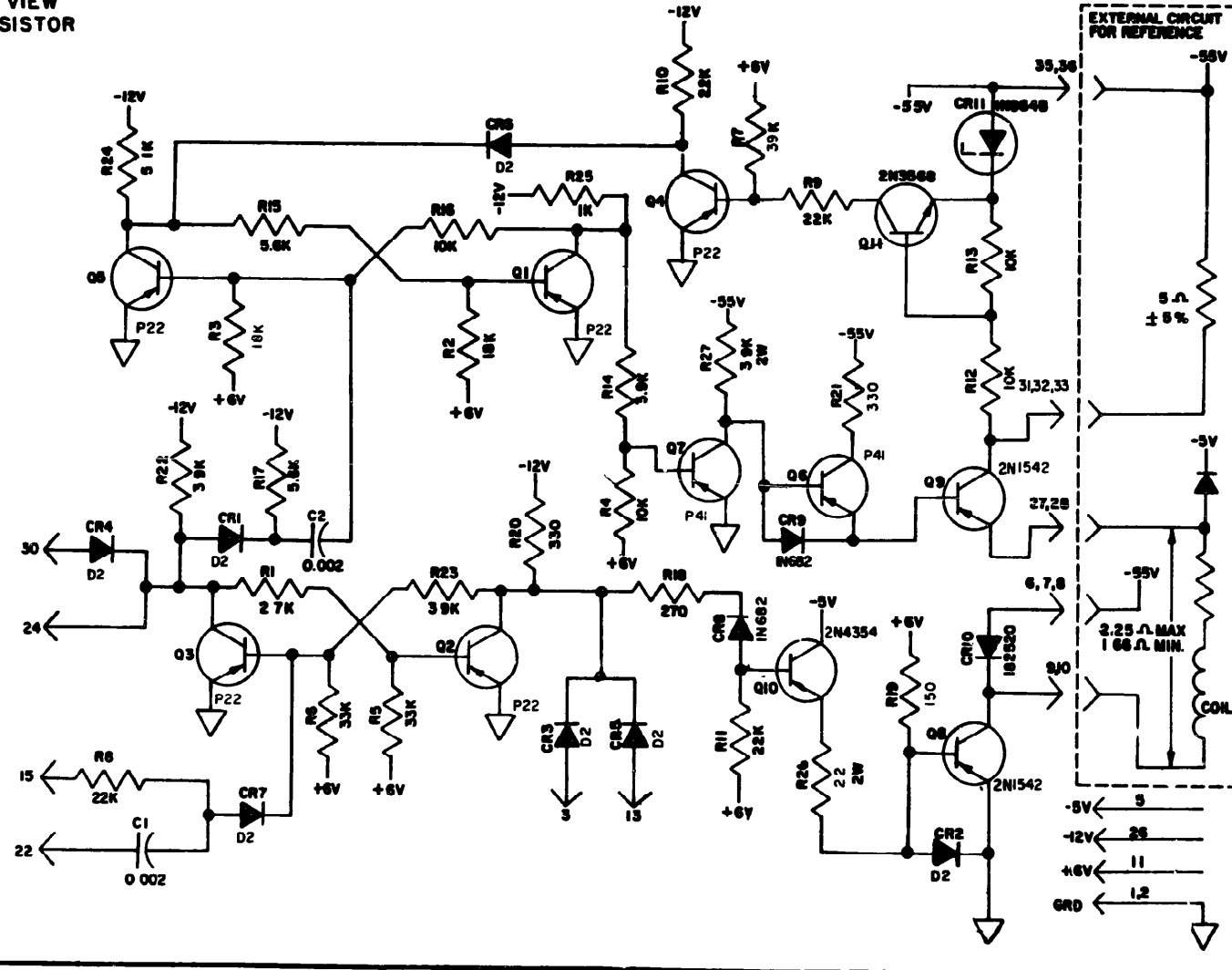
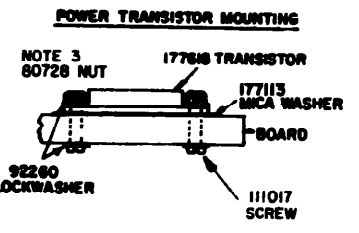
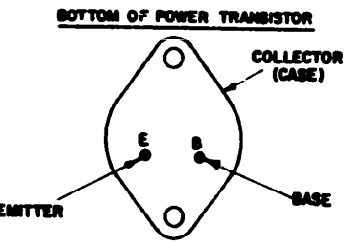
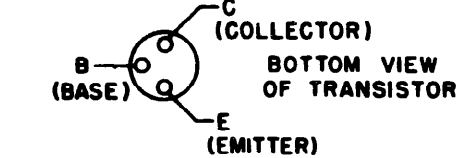
**CIRCUIT BOARD EC**

REF. DESIG.	TELETYPE PART NO.	TOTAL QTY.	NAME AND DESCRIPTION	LOCATING FUNCTION
R1	118144	1	RESISTOR 2.7K OHMS	CROSS OVER
R2	118151	1	RESISTOR 18K OHMS	BASE BIAS
R3			SAME AS R2	BASE BIAS
R4	118180	4	RESISTOR 10K OHMS	COUPLING
R5	118153	2	RESISTOR 33K OHMS	BASE BIAS
R6			SAME AS R5	BASE BIAS
R7	118188	1	RESISTOR 39K OHMS	BASE BIAS
R8	118177	4	RESISTOR 22K OHMS	PRIME
R9			SAME AS R8	COLLECTOR LOAD
R10			SAME AS R8	COLLECTOR LOAD
R11			SAME AS R8	BASE BIAS
R12			SAME AS R4	COUPLING
R13			SAME AS R4	BASE BIAS
R14	143667	3	RESISTOR 3.9K OHMS	COUPLING
R15	118186	2	RESISTOR 5.6K OHMS	CROSS OVER
R16			SAME AS R4	CROSS OVER
R17			SAME AS R15	BIAS
R18	118725	1	RESISTOR 270 OHMS	COUPLING
R19	143658	1	RESISTOR 150 OHMS	BASE BIAS
R20	143661	2	RESISTOR 330 OHMS	COLLECTOR LOAD
R21			SAME AS R20	COLLECTOR LOAD
R22			SAME AS R14	COLLECTOR LOAD
R23			SAME AS R14	CROSS OVER
R24	143665	1	RESISTOR 5.1K OHMS	COLLECTOR LOAD
R25	132440	1	RESISTOR 1K OHMS	COLLECTOR LOAD
R26	148835	1	RESISTOR 22 OHMS, 2W	COUPLING
R27	170314	1	RESISTOR 3.9K OHMS, 2W	COLLECTOR LOAD
C1	177332	2	CAPACITOR 0.002 MFD	DIFFERENTIATING
C2			SAME AS C1	COUPLING
CR1	177108	7	DIODE D2	COUPLING
CR2			SAME AS CR1	BASE BIAS
CR3			SAME AS CR1	INPUT
CR4			SAME AS CR1	COUPLING
CR5			SAME AS CR1	INPUT
CR6			SAME AS CR1	COUPLING
CR7			SAME AS CR1	INPUT
CR8	177611	2	DIODE IN 682	COUPLING
CR9			SAME AS CR8	BASE BIAS
CR10	182520	1	DIODE MED. CUR.	CLAMP
CR11	302844	1	DIODE, ZENER, IN964B	REFERENCE
Q1	177103	5	TRANSISTOR, P22	FLIP-FLOP
Q2			SAME AS Q1	FLIP-FLOP
Q3			SAME AS Q1	FLIP-FLOP
Q4			SAME AS Q1	INVERTER
Q5			SAME AS Q1	FLIP-FLOP
Q6	177224	2	TRANSISTOR, P41	EMITTER-FOLLOWER
Q7			SAME AS Q6	AMPLIFIER
Q8	177618	2	TRANSISTOR, 2N1542	AMPLIFIER
Q9			SAME AS Q8	EMITTER-FOLLOWER
Q10	302865		TRANSISTOR 2N4354	EMITTER FOLLOWER
Q11	315930	1	TRANSISTOR 2N3568	VOLTAGE-SENSOR
144495	9		TRANSISTOR PADS	
EC	302828	1	CIRCUIT CARD, ETCHED	
111017	4		SCREW 6-40	
92260	8		WASHER, LOCK	
80728	4		NUT, 6-40 HEY	
177113	2		MICA WASHER	
	6		CLINCH THRU CONNECTIONS	
60358RM	2		11/16" LONG TUBING	
300116	4		TRANSISTOR CAPS	

**303730**

**REVISIONS**

ISSUE	DATE	AUTH. NO.
1	6-2-67	16655-R
2	8-15-67	94191-B
3	9-1-67	94492-A
4	11-9-67	95413-D
5	12-4-67	94912-D
6	7-8-68	95983
7	11-14-68	95983-1
8	12-8-69	95983-2



SHEET 1 OF 2

WDP

**APPROVALS**

R AND D	E OF M
---------	--------

E-NUMBER

PROD NO 303730

DATE 6/1/67

R&D FILE 5-A148/134AA

DRAWN RJP CHKD

ENGD RKS APPD

**TELETYPE CORPORATION**

**303730**





**TELETYPE CORPORATION**  
**Stocks, Illinois, U.S.A.**

**SECTION 592-852-43**  
**Issue 1, September-**

HIGH SPEED TAPE RECEIVER FOR THE MULTIPLE  
 ADDRESS PROCESSING SYSTEM (MAPS)  
 ACTUAL WIRING DIAGRAMS

- 1.01 This section provides actual wiring diagram information for the high speed tape receiver, used in the multiple address processing system.
- 1.02 The following information can be on each wiring diagram: physical component layout, wiring symbols, terminal numbers and locations, and wire network lists. They are included on wiring diagrams to explain symbols used and point out special conditions.

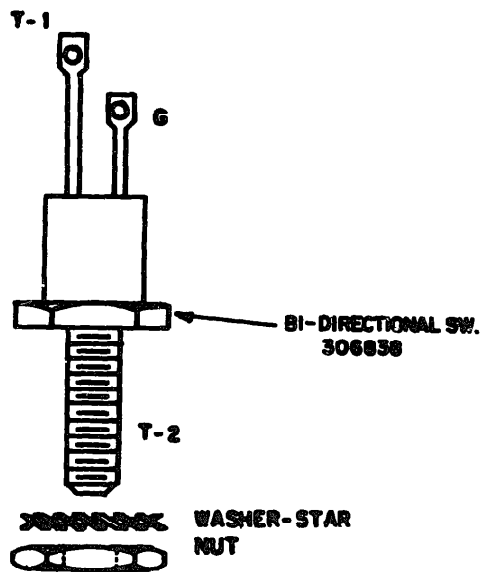
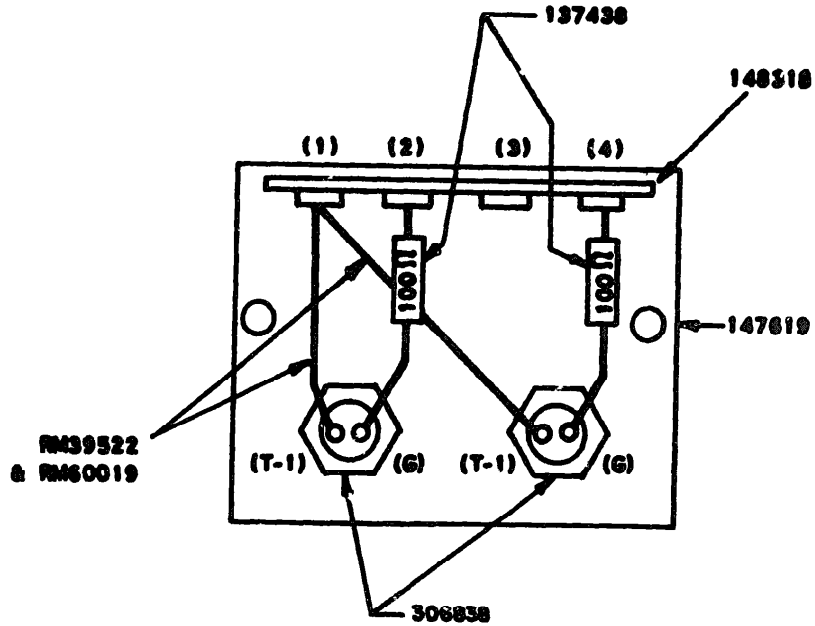
2. WIRING DIAGRAM INDEX

TITLE	DIAGRAM NUMBER	TOTAL CONTROL AND DIAGRAM SHEETS	CONTROL SHEET DIAGRAM ISS
147609 Assembly	7557WD	1	2
Module C 310902	7731WD	21	4
Module D 310903	7732WD	30	2
Receiver Cabinet 310763	7733WD	16	4
Reperforator Shelves 310831, 310832	7734WD	8	3
Receiver Control Panel 310806	7735WD	12	2
310850 Power Supply	7736WD	12	3
DRPE807	7750WD	1	1

**7557 WD**

**REVISIONS**

ISSUE	DATE	AUTH.
1	4-23-64	JK
2	5-20-64	JK



<b>ACTUAL</b>	
WIRING DIAGRAM	
FOR 147609 ASSEMBLY	
<b>APPROVAL</b>	
DESIGNED BY	CHKD BY
<i>JK</i>	<i>JK</i>
E-NUMBER	
PROC. NO. 7557WD	
DATE: 11/23/64	
P.D. FILE NO.	
DRAWN <i>R.F.</i>	CHKD <i>JK</i>
ENGD.	APPR.
<b>TELETYPE CORPORATION</b>	
<b>7557 WD</b>	

**2**

(T100143)  
TC28210-04)

ISSUE CONTROL RECORD																			7731 WD		
SHEET NO.	ISSUE																		REVISIONS		
	2	3	4	5	6	7	8	9	10	11	12	13	14	15	16	17	18	19	ISSUE	DATE	AUTH. NO.
1a	X																		1	2-24-64	16988
2a	X																		2	12-27-64	92226
3a	X																		3	1-15-65	81101
4a	X																		4	7-27-65	820
1x	X	X																			
2x	X	X																			
3x	X	X																			
4x	X	X																			
5x	X	X																			
6x	X	X																			
1	X	X																			
2	X	X																			
3	X	X																			
4	X	X																			
5	X	X																			
6	X	X																			
7	X	X																			
8	X	X																			
9	X	X																			
10	X	X																			

**WDP**

ISSUE CONTROL SHEET 1 OF 1

Actual Wiring Diagram for Module C 310902 AND 38692

**APPROVALS**

DARD R <b>HJK</b>	E OF M <b>↪</b>
----------------------	--------------------

E-NUMBER

PROD. NO. 7731WD

DATE: 11-8-65

RD. FILE NO.

DRAWN BY: **END. FDB**

ENGR. **E.J.H.** APPD.

**TELETYPE CORPORATION**

7731 WD

1. PAGE NUMBERING

This WD consists of three sections; the Cover Pages, the Network Listing Index pages, and the Network Listing pages. Each page is numbered to show the page, the section, the total pages in the section, and the total pages in the WD.

Page 3C of 4C/30 means the third page of 4 cover pages in a WD having 30 total pages.

Page 2X of 11X/30 is the 2nd of 11 index pages in a WD having 30 total pages.

Page 10 of 15/30 is the 10th of 15 network pages in a WD having 30 total pages.

2. COVER PAGES

The Cover pages contain the release information and notes pertaining to the WD.

3. NETWORK LISTING - - INDEX

The Index lists pins in alpha-numerical order and is a cross reference to the number of the network in which they appear.

4. NETWORK LIST

The Network List is a list of connector pins that are connected together in a common electrical circuit. It lists the pins in from-to-to order. At branching points the first pin of the branch is indented. A second indentation indicates a branch within the first branch. Three indents indicates a third sub branch. If further sub branches are encountered, an indent number is used instead of further indenting.

At a branching point the branching pin is connected to the pin listed on the next line below as well as to the pin at the end of the column of dots extending below the branching pin. If no pins are listed directly below or to the right, the branch ends. There is no direct connection between a pin and one listed below and in a column to its left.

The asterisk in front of the indent number identifies the first pin of a new sub branch.



## 1. PAGE NUMBERING

This WD consists of three sections; the Cover Pages, the Network Listing Index pages, and the Network Listing pages. Each page is numbered to show the page, the section, the total pages in the section, and the total pages in the WD.

Page 3C of 4C/30 means the third page of 4 cover pages in a WD having 30 total pages.

Page 2X of 11X/30 is the 2nd of 11 index pages in a WD having 30 total pages.

Page 10 of 15/30 is the 10th of 15 network pages in a WD having 30 total pages.

## 2. COVER PAGES

The Cover pages contain the release information and notes pertaining to the WD.

## 3. NETWORK LISTING - INDEX

The Index lists pins in alpha-numerical order and is a cross reference to the number of the network in which they appear.

## 4. NETWORK LIST

The Network List is a list of connector pins that are connected together in a common electrical circuit. It lists the pins in from-to-to order. At branching points the first pin of the branch is indented. A second indentation indicates a branch within the first branch. Three indents indicates a third sub branch. If further sub branches are encountered, an indent number is used instead of further indenting.

At a branching point the branching pin is connected to the pin listed on the next line below as well as to the pin at the end of the column of dots extending below the branching pin. If no pins are listed directly below or to the right, the branch ends. There is no direct connection between a pin and one listed below and in a column to its left.

The asterisk in front of the indent number identifies the first pin of a new sub branch.

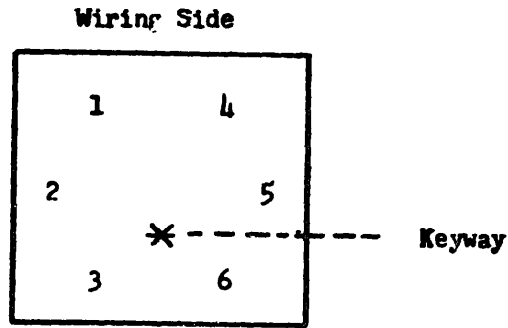


SAMPLE NETWORK (Arrow Show Connections)

<u>Net</u>	<u>Component</u>	<u>Pin</u>		
0143	JD 4	G 6		
0143	XZD314	21		
0143	XZD313	20		
0143	.	XZD313	6	
0143	.	XZD312	6	
0143	.	XZD311	6	
0143	.	XZD313	23	
0143	.	XZD313	25	
0143	.	XZD313	31	
0143	04	XZD313	33	
0143	.	XZD312	33	
0143	.	XZD312	31	
0143	.	XZD311	31	
0143	.	XZD312	25	
0143	.	XZD311	25	
0143	.	XZD312	23	
0143	.	XZD311	23	
0143	XZD312	20		
0143	XZD311	20		
0144	JD 4	G 7		
0144	XZD308	18		
0144	XZD309	18		
0144	XZD310	18		
0144	.	XZD310	28	
0144	.	XZD313	8	
0144	.	XZD314	31	
0144	.	XZD319	29	
0144	.	XZD328	31	
0144	.	XZD309	28	
0144	.	XZD308	28	
0144	XZD310	4		
0144	XZD309	4		

MODULE C

- NOTE 1. Refer to 7730WD for schematic of 310902 MODULE USED IN VS 234.  
" " 7746WD " " 336912 MODULE USED IN VS 269
2. Toggle switch terminal locations



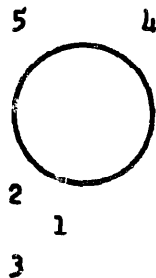
3. Relay locations

Wired View

KC119 - A

4. Relay terminal locations

Wired View

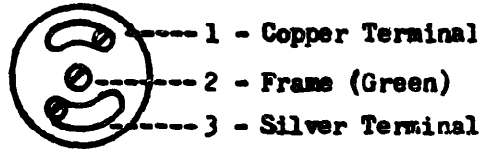


KC119 - A

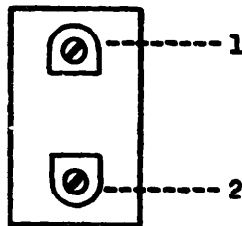


**5. A-C Receptacle**

**Wired Side**

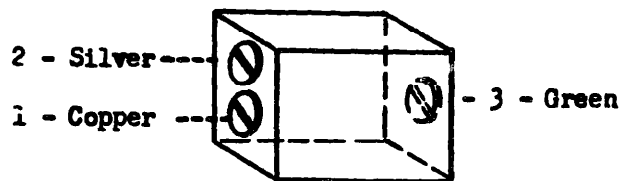


**6. Circuit Breaker**



**7. Aux. Outlet on front plate**

**Rear View**



8. Switch designations **SWC** - - - and **SC** - - - are identical. In the actual wiring diagram it appears as **SC** - - -. In the schematic wiring it appears as **SWC** - - -.



NETWORK LISTING (TABULAR WIRING DIAGRAM) - INDEX



TITLE  
MODULE C WIRING OF RECEIVER SET VS234 AND VS 269

WIRING DIAGRAM 7731WD	ISSUE 4	USED ON 310902	DATE 1-29-70 <del>03/20/67</del>	PAGE 1X OF 20/20
--------------------------	------------	-------------------	--	---------------------

COMPONENT	PIN	NET	COMPONENT	PIN	NET	COMPONENT	PIN	NET
CBC 1	1	0009	JC328	C 7	0074	POWREG	BK	0008
CBC 1	2	0003	JC328	C 8	0168	POWREG	BKw	0020
CBC 2	1	0010	JC328	C 9	0195	POWREG	R W	0021
CBC 2	2	0003	JC328	C10	0196	POWSUP	O	0007
CBC 3	1	0011	JC328	D 2	0197	POWSUP	R	0004
CBC 3	2	0003	JC328	D 4	0032	POWSUP	W	0005
CBC 4	1	0012	JC328	D 6	0198	POWSUP	BK	0008
CBC 4	2	0003	JC328	D 7	0151	POWSUP	BL	0002
CBC 5	1	0013	JC328	D 8	0160	POWSUP	BR	0003
CBC 5	2	0003	JC328	D 9	0183	POWSUP	BKw	0001
CBC 6	1	0014	JC328	D10	0112	POWSUP	R W	0006
CBC 6	2	0003	JC328	E 1	0019	SC 1	1	0073
CBC 7	1	0015	JC328	E 5	0129	SC 1	2	0008
CBC 7	2	0003	JC328	E 7	0149	SC 1	3	0071
CBC 8	1	0016	JC328	E 8	0167	SC 2	1	0054
CBC 8	2	0017	JC328	E 9	0199	SC 2	2	0165
CBC 9	1	0002	JC328	E10	0200	SC 3	1	0054
CBC 9	2	0018	JC328	F 1	0201	SC 3	2	0161
CBC 10	1	0019	JC328	F 3	0173	SC 4	1	0054
CBC 10	2	0004	JC328	F 4	0025	SC 4	2	0157
CBC 11	1	0020	JC328	F 5	0027	SC 5	1	0054
CBC 11	2	0001	JC328	F 7	0147	SC 5	2	0152
CBC 12	1	0021	JC328	F 8	0170	SC 6	1	0054
CBC 12	2	0006	JC328	F 9	0181	SC 6	2	0092
CBC 13	1	0022	JC328	F10	0109	SC 7	1	0054
CBC 13	2	0003	JC328	G 1	0202	SC 7	2	0087
CBC 14	1	0023	JC328	G 3	0175	SC 8	1	0054
CBC 14	2	0003	JC328	G 4	0028	SC 8	2	0084
CBC 15	1	0024	JC328	G 5	0034	SC 9	1	0054
CBC 15	2	0005	JC328	G 7	0203	SC 9	2	0080
CRC119	A A	0019	JC328	G 8	0096	XZC107	2	0019
CRC119	A C	0035	JC328	G 9	0204	XZC107	4	0025
JC 1	1	0016	JC328	G10	0205	XZC107	5	0026
JC 1	2	0209	JC328	H 1	0206	XZC107	6	0027
JC 1	3	0208	JC328	H 2	0176	XZC107	9	0028
JC328	A 3	0020	JC328	H 3	0174	XZC107	14	0008
JC328	A 4	0030	JC328	H 4	0031	XZC107	22	0029
JC328	A 6	0189	JC328	H 5	0026	XZC107	23	0019
JC328	A 7	0097	JC328	H 7	0207	XZC107	24	0030
JC328	A 8	0190	JC328	H 8	0099	XZC107	25	0031
JC328	A 9	0191	JC328	H 9	0179	XZC107	26	0032
JC328	A10	0192	JC328	H10	0106	XZC107	27	0033
JC328	B 2	0008	JC428	A 1	0018	XZC107	30	0034
JC328	B 4	0029	JC428	A 2	0197	XZC107	35	0008
JC328	B 6	0193	JC428	A 3	0007	XZC108	A 1	0035
JC328	B 7	0086	JC428	B 1	0017	XZC108	A 3	0036
JC328	B 8	0187	JC428	B 2	0208	XZC108	A 5	0037
JC328	B 9	0185	JC428	B 3	0209	XZC108	A 8	0038
JC328	B10	0177	KC119	A 1	0201	XZC108	A10	0039
JC328	C 1	0021	KC119	A 2	0206	XZC108	A12	0039
JC328	C 3	0008	KC119	A 3	0202	XZC108	A16	0008
JC328	C 4	0033	KC119	A 4	0035	XZC108	A18	0021
JC328	C 6	0194	KC119	A 5	0019	XZC108	A20	0020



TITLE  
MODULE C WIRING OF RECEIVER SET VS234 AND VS269

WIRING DIAGRAM 7731WD	ISSUE 43	USED ON 310902	DATE 1-29-70 <del>03-20-67</del>	PAGE 2X OF 6A/20
--------------------------	-------------	-------------------	--	---------------------

COMPONENT	PIN	NET
XZC108	A22	0040
XZC108	A23	0041
XZC108	B 1	0042
XZC108	B 2	0043
XZC108	B 4	0044
XZC108	B 6	0045
XZC108	B 7	0046
XZC108	B 8	0047
XZC108	B11	0048
XZC108	B16	0008
XZC108	B18	0021
XZC108	B20	0020
XZC108	B27	0049
XZC110	A 1	0050
XZC110	A 2	0051
XZC110	A 3	0052
XZC110	A 5	0043
XZC110	A 7	0027
XZC110	A 9	0043
XZC110	A10	0052
XZC110	A11	0038
XZC110	A13	0038
XZC110	A14	0027
XZC110	A16	0008
XZC110	A17	0053
XZC110	A18	0021
XZC110	A20	0020
XZC110	A21	0054
XZC110	A23	0046
XZC110	A24	0034
XZC110	A26	0046
XZC110	A27	0055
XZC110	A28	0056
XZC110	A32	0057
XZC110	A33	0058
XZC110	A34	0059
XZC110	A36	0056
XZC110	B 2	0044
XZC110	B 4	0025
XZC110	B 5	0052
XZC110	B 6	0042
XZC110	B 8	0060
XZC110	B 9	0036
XZC110	B12	0028
XZC110	B13	0053
XZC110	B16	0008
XZC110	B18	0021
XZC110	B20	0020
XZC110	B22	0055
XZC110	B23	0026
XZC110	B26	0031
XZC110	B27	0058
XZC110	B28	0050

COMPONENT	PIN	NET
XZC110	B29	0056
XZC110	B30	0061
XZC110	B32	0062
XZC110	B34	0047
XZC110	B36	0060
XZC112	A 1	0037
XZC112	A 2	0063
XZC112	A 3	0064
XZC112	A 5	0065
XZC112	A 6	0066
XZC112	A 7	0064
XZC112	A 9	0066
XZC112	A10	0061
XZC112	A11	0040
XZC112	A13	0054
XZC112	A14	0039
XZC112	A16	0008
XZC112	A17	0067
XZC112	A18	0021
XZC112	A20	0020
XZC112	A21	0068
XZC112	A23	0057
XZC112	A24	0030
XZC112	A26	0057
XZC112	A27	0069
XZC112	A28	0062
XZC112	A31	0062
XZC112	A32	0033
XZC112	A34	0054
XZC112	A35	0039
XZC112	A36	0070
XZC112	B 1	0071
XZC112	B 4	0072
XZC112	B 6	0073
XZC112	B 7	0074
XZC112	B 9	0063
XZC112	B10	0037
XZC112	B11	0040
XZC112	B12	0058
XZC112	B14	0075
XZC112	B16	0008
XZC112	B17	0066
XZC112	B18	0021
XZC112	B20	0020
XZC112	B22	0069
XZC112	B23	0029
XZC112	B26	0039
XZC112	B27	0072
XZC112	B28	0076
XZC112	B30	0077
XZC112	B31	0032
XZC112	B34	0077
XZC114	9	0070

COMPONENT	PIN	NET
XZC114	11	0198
XZC114	16	0008
XZC114	18	0021
XZC114	20	0020
XZC114	22	0094
XZC114	26	0194
XZC114	32	0095
XZC114	34	0193
XZC115	9	0102
XZC115	11	0189
XZC115	16	0008
XZC115	18	0021
XZC115	20	0020
XZC115	22	0100
XZC115	26	0207
XZC115	32	0166
XZC115	34	0203
XZC116	A 1	0078
XZC116	A 2	0079
XZC116	A 5	0080
XZC116	A 6	0059
XZC116	A 7	0081
XZC116	A 9	0081
XZC116	A10	0082
XZC116	A11	0083
XZC116	A13	0084
XZC116	A14	0083
XZC116	A16	0008
XZC116	A17	0085
XZC116	A18	0021
XZC116	A20	0020
XZC116	A21	0086
XZC116	A23	0087
XZC116	A24	0088
XZC116	A26	0089
XZC116	A27	0090
XZC116	A28	0091
XZC116	A31	0092
XZC116	A32	0093
XZC116	A34	0079
XZC116	A35	0094
XZC116	A36	0078
XZC116	B 1	0095
XZC116	B 4	0079
XZC116	B 5	0096
XZC116	B 6	0097
XZC116	B 7	0089
XZC116	B 9	0098
XZC116	B10	0088
XZC116	B12	0079
XZC116	B13	0099
XZC116	B14	0059
XZC116	B15	0091

TITLE <b>MODULE C WIRING OF RECEIVER SET VS234 AND VS 269</b>				
WIRING DIAGRAM <b>7731WD</b>	ISSUE <b>4</b>	USED ON <b>310902</b>	DATE <b>1-29-70</b> <b>03/20/67</b>	PAGE <b>3X OF 5A-20</b>

COMPONENT	PIN	NET
XZC116	B16	0008
XZC116	B18	0021
XZC116	B20	0020
XZC116	B22	0100
XZC116	B23	0078
XZC116	B24	0098
XZC116	B25	0059
XZC116	B27	0101
XZC116	B28	0093
XZC116	B30	0078
XZC116	B31	0102
XZC116	B32	0059
XZC116	B33	0101
XZC116	B34	0103
XZC120	3	0020
XZC120	5	0104
XZC120	7	0105
XZC120	9	0061
XZC120	11	0021
XZC120	13	0104
XZC120	26	0019
XZC120	36	0008
XZC121	1	0008
XZC121	2	0008
XZC121	5	0024
XZC121	6	0023
XZC121	7	0023
XZC121	8	0023
XZC121	9	0106
XZC121	10	0106
XZC121	11	0021
XZC121	15	0103
XZC121	22	0105
XZC121	26	0019
XZC121	27	0107
XZC121	28	0107
XZC121	30	0104
XZC121	31	0108
XZC121	32	0108
XZC121	33	0108
XZC121	35	0023
XZC121	36	0023
XZC122	1	0008
XZC122	2	0008
XZC122	5	0024
XZC122	6	0009
XZC122	7	0009
XZC122	8	0009
XZC122	9	0109
XZC122	10	0109
XZC122	11	0021
XZC122	15	0090
XZC122	22	0105

COMPONENT	PIN	NET
XZC122	26	0019
XZC122	27	0110
XZC122	28	0110
XZC122	30	0104
XZC122	31	0111
XZC122	32	0111
XZC122	33	0111
XZC122	35	0009
XZC122	36	0009
XZC123	1	0008
XZC123	2	0008
XZC123	5	0024
XZC123	6	0010
XZC123	7	0010
XZC123	8	0010
XZC123	9	0112
XZC123	10	0112
XZC123	11	0021
XZC123	15	0085
XZC123	22	0105
XZC123	26	0019
XZC123	27	0113
XZC123	28	0113
XZC123	30	0104
XZC123	31	0114
XZC123	32	0114
XZC123	33	0114
XZC123	35	0010
XZC123	36	0010
XZC307	A 5	0062
XZC307	A 6	0063
XZC307	A 7	0064
XZC307	A 9	0065
XZC307	A10	0121
XZC307	A11	0122
XZC307	A13	0123
XZC307	A14	0124
XZC307	A16	0008
XZC307	A17	0125
XZC307	A18	0021
XZC307	A20	0020
XZC307	A23	0049
XZC307	A24	0122
XZC307	A26	0078
XZC307	A27	0041
XZC307	A28	0078
XZC307	A36	0034
XZC307	B 1	0126
XZC307	B 4	0047
XZC307	B 5	0127
XZC307	B 9	0128
XZC307	B12	0041
XZC307	B13	0129

COMPONENT	PIN	NET
XZC307	B14	0130
XZC307	B16	0008
XZC307	B18	0021
XZC307	B20	0020
XZC307	B23	0076
XZC307	B27	0126
XZC307	B30	0076
XZC309	A 1	0131
XZC309	A 2	0132
XZC309	A 3	0132
XZC309	A10	0124
XZC309	A11	0123
XZC309	A12	0130
XZC309	A13	0133
XZC309	A14	0130
XZC309	A16	0008
XZC309	A18	0021
XZC309	A20	0020
XZC309	A22	0056
XZC309	A23	0134
XZC309	A24	0135
XZC309	A25	0136
XZC309	A26	0135
XZC309	A27	0133
XZC309	A32	0123
XZC309	A33	0133
XZC309	A34	0137
XZC309	A35	0137
XZC309	A36	0138
XZC309	B 1	0131
XZC309	B 2	0124
XZC309	B 3	0132
XZC309	B 4	0133
XZC309	B 9	0131
XZC309	B10	0130
XZC309	B11	0131
XZC309	B12	0123
XZC309	B13	0128
XZC309	B14	0126
XZC309	B16	0008
XZC309	B18	0021
XZC309	B20	0020
XZC309	B23	0125
XZC309	B24	0136
XZC309	B25	0123
XZC309	B26	0135
XZC309	B33	0136
XZC309	B34	0137
XZC309	B35	0136
XZC309	B36	0138
XZC311	A 1	0139
XZC311	A 2	0140
XZC311	A 3	0140



TITLE <b>MODULE C WIRING OF RECEIVER SET VS234 AND VS 269</b>			
WIRING DIAGRAM <b>7731WD</b>	ISSUE <b>43</b>	USED ON <b>310902</b>	DATE <b>1-29-70</b> <b>03/20/77</b>
PAGE		4X OF 24/20	

COMPONENT	PIN	NET
XZC311	A10	0138
XZC311	A11	0141
XZC311	A12	0142
XZC311	A13	0133
XZC311	A14	0142
XZC311	A16	0008
XZC311	A19	0021
XZC311	A20	0020
XZC311	A22	0058
XZC311	A23	0143
XZC311	A24	0144
XZC311	A25	0143
XZC311	A26	0144
XZC311	A27	0133
XZC311	A28	0141
XZC311	A33	0048
XZC311	A34	0061
XZC311	A35	0008
XZC311	A36	0066
XZC311	B 1	0139
XZC311	B 2	0138
XZC311	B 3	0140
XZC311	B 4	0133
XZC311	B 9	0139
XZC311	B10	0142
XZC311	B11	0139
XZC311	B12	0141
XZC311	B13	0058
XZC311	B14	0140
XZC311	B16	0008
XZC311	B18	0021
XZC311	B20	0020
XZC311	B22	0145
XZC311	B23	0143
XZC311	B24	0143
XZC311	B25	0141
XZC311	B26	0140
XZC311	B27	0079
XZC311	B34	0000
XZC311	B35	0000
XZC311	B36	0074
XZC313	A 1	0051
XZC313	A 3	0134
XZC313	A 5	0054
XZC313	A 8	0067
XZC313	A 9	0039
XZC313	A10	0079
XZC313	A16	0008
XZC313	A18	0021
XZC313	A20	0020
XZC313	A27	0133
XZC313	A28	0049
XZC313	A31	0039

COMPONENT	PIN	NET
XZC313	A34	0127
XZC313	B 1	0054
XZC313	B 2	0121
XZC313	B 3	0039
XZC313	B 4	0079
XZC313	B 6	0059
XZC313	B 7	0069
XZC313	B 8	0089
XZC313	B16	0008
XZC313	B18	0021
XZC313	B20	0020
XZC313	B23	0037
XZC313	B25	0021
XZC313	B27	0064
XZC313	B31	0047
XZC313	B36	0021
XZC315	9	0146
XZC315	11	0147
XZC315	16	0008
XZC315	18	0021
XZC315	20	0020
XZC315	22	0148
XZC315	26	0149
XZC315	32	0150
XZC315	34	0151
XZC316	A 1	0078
XZC316	A 2	0079
XZC316	A 5	0152
XZC316	A 6	0099
XZC316	A 7	0199
XZC316	A 9	0194
XZC316	A10	0153
XZC316	A11	0156
XZC316	A13	0157
XZC316	A14	0158
XZC316	A16	0008
XZC316	A17	0150
XZC316	A18	0021
XZC316	A20	0020
XZC316	A21	0160
XZC316	A23	0161
XZC316	A24	0154
XZC316	A26	0162
XZC316	A27	0163
XZC316	A28	0164
XZC316	A31	0165
XZC316	A34	0166
XZC316	A35	0166
XZC316	A36	0078
XZC316	B 1	0146
XZC316	B 4	0079
XZC316	B 5	0167

COMPONENT	PIN	NET
XZC316	B 6	0168
XZC316	B 7	0162
XZC316	B 9	0169
XZC316	B10	0153
XZC316	B12	0079
XZC316	B13	0170
XZC316	B14	0059
XZC316	B15	0164
XZC316	B16	0008
XZC316	B18	0021
XZC316	B20	0020
XZC316	B22	0150
XZC316	B23	0078
XZC316	B24	0169
XZC316	B25	0059
XZC316	B27	0171
XZC316	B28	0158
XZC316	B30	0078
XZC316	B31	0148
XZC316	B32	0059
XZC316	B33	0171
XZC316	B34	0172
XZC318	1	0019
XZC318	2	0019
XZC318	3	0019
XZC318	4	0019
XZC318	9	0045
XZC318	10	0019
XZC318	11	0019
XZC318	12	0173
XZC318	14	0173
XZC318	16	0044
XZC318	18	0021
XZC318	20	0020
XZC318	22	0008
XZC318	23	0011
XZC318	24	0021
XZC318	27	0059
XZC318	31	0019
XZC318	32	0039
XZC318	34	0176
XZC319	1	0008
XZC319	2	0008
XZC319	5	0024
XZC319	6	0011
XZC319	7	0011
XZC319	8	0011
XZC319	9	0011
XZC319	10	0177
XZC319	11	0021
XZC319	15	0082
XZC319	22	0105
XZC319	26	0019



<b>TITLE</b> MODULE C WIRING OF RECEIVER SET VS234 AND VS269			
<b>WIRING DIAGRAM</b> 7731WD	<b>ISSUE</b> 43	<b>USED ON</b> 310902	<b>DATE</b> 1 <del>03/20/67</del>
		<b>PAGE</b> 5X	<b>OF</b> 24/20

COMPONENT	PIN	NET
XZC319	27	0119
XZC319	28	0119
XZC319	30	0104
XZC319	31	0178
XZC319	32	0178
XZC319	33	0178
XZC319	35	0011
XZC319	36	0011
XZC320	1	0008
XZC320	2	0008
XZC320	5	0024
XZC320	6	0012
XZC320	7	0012
XZC320	8	0012
XZC320	9	0179
XZC320	10	0179
XZC320	11	0021
XZC320	15	0172
XZC320	22	0105
XZC320	26	0019
XZC320	27	0118
XZC320	28	0118
XZC320	30	0104
XZC320	31	0180
XZC320	32	0180
XZC320	33	0180
XZC320	35	0012
XZC320	36	0012
XZC321	1	0008
XZC321	2	0008
XZC321	5	0024
XZC321	6	0013
XZC321	7	0013
XZC321	8	0013
XZC321	9	0181
XZC321	10	0181
XZC321	11	0021
XZC321	15	0163
XZC321	22	0105
XZC321	26	0019
XZC321	27	0117
XZC321	28	0117
XZC321	30	0104
XZC321	31	0182
XZC321	32	0182
XZC321	33	0182
XZC321	35	0013
XZC321	36	0013
XZC322	1	0008
XZC322	2	0008
XZC322	5	0024
XZC322	6	0014
XZC322	7	0014

COMPONENT	PIN	NET
XZC322	8	0014
XZC322	9	0183
XZC322	10	0183
XZC322	11	0021
XZC322	15	0159
XZC322	22	0105
XZC322	26	0019
XZC322	27	0116
XZC322	28	0116
XZC322	30	0104
XZC322	31	0184
XZC322	32	0184
XZC322	33	0184
XZC322	35	0014
XZC322	36	0014
XZC323	1	0008
XZC323	2	0008
XZC323	5	0024
XZC323	6	0015
XZC323	7	0015
XZC323	8	0015
XZC323	9	0185
XZC323	10	0185
XZC323	11	0021
XZC323	15	0155
XZC323	22	0105
XZC323	26	0019
XZC323	27	0115
XZC323	28	0115
XZC323	30	0104
XZC323	31	0186
XZC323	32	0186
XZC323	33	0186
XZC323	35	0015
XZC323	36	0015
XZC324	1	0008
XZC324	2	0008
XZC324	5	0024
XZC324	6	0022
XZC324	7	0022
XZC324	8	0022
XZC324	9	0187
XZC324	10	0187
XZC324	11	0021
XZC324	15	0008
XZC324	22	0105
XZC324	26	0019
XZC324	27	0120
XZC324	28	0120
XZC324	30	0104
XZC324	31	0188
XZC324	32	0188
XZC324	33	0188

COMPONENT	PIN	NET
XZC324	35	0022
XZC324	36	0022
ZC127 R1	1	0015
ZC127 R1	2	0115
ZC127 R1	3	0186
ZC127 R1	4	0191
ZC127 R2	1	0014
ZC127 R2	2	0116
ZC127 R2	3	0184
ZC127 R2	4	0195
ZC127 3	1	0013
ZC127 3	2	0117
ZC127 R3	3	0182
ZC127 R3	4	0199
ZC127 R4	1	0012
ZC127 R4	2	0118
ZC127 R4	3	0180
ZC127 R4	4	0204
ZC127 R5	1	0011
ZC127 R5	2	0119
ZC127 R5	3	0178
ZC127 R5	4	0192
ZC127 R6	1	0010
ZC127 R6	2	0113
ZC127 R6	3	0114
ZC127 R6	4	0196
ZC127 R7	1	0009
ZC127 R7	2	0110
ZC127 R7	3	0111
ZC127 R7	4	0200
ZC127 R8	1	0023
ZC127 R8	2	0107
ZC127 R8	3	0108
ZC127 R8	4	0205
ZC127 R9	1	0022
ZC127 R9	2	0120
ZC127 R9	3	0188
ZC127 R9	4	0190
ZC128	COM	0024
ZC128 CR	1	0115
ZC128 CR	2	0116
ZC128 CR	3	0117
ZC128 CR	4	0118
ZC128 CR	5	0119
ZC128 CR	6	0113
ZC128 CR	7	0110
ZC128 CR	8	0107
ZC128 CR	9	0120
# OF PINS		790



TITLE <b>MODULE C WIRING OF RECEIVER SET VS234 AND VS269</b>				
WIRING DIAGRAM <b>7731WD</b>	ISSUE <b>43</b>	USED ON <del>310903-31492</del>	DATE <b>1-29-70</b> <b>03/20/67</b>	PAGE <b>6X OF 61/20</b>

COMPONENT	PIN	NET
<b>END OF</b>	<b>LISTING</b>	

COMPONENT	PIN	NET

COMPONENT	PIN	NET



NETWORK LISTING (TABULAR LISTING DIAGRAM)



TITLE <b>MODULE C WIRING OF RECEIVER SET VS234 AND VS269</b>				
WIRING DIAGRAM <b>7131WD</b>	ISSUE <b>43</b>	USED ON <b>310902</b>	DATE <b>1-29-70</b> <b>03/20/69</b>	PAGE <b>1</b> OF <b>1</b>

NET	COMPONENT	PIN
0001	POWSUP	BKW
0001	CBC 11	2
0002	POWSUP	BL
0002	CBC 9	1
0003	POWSUP	BR
0003	CBC 5	2
0003	• CBC 6	2
0003	• CBC 7	2
0003	• CBC 14	2
0003	• CBC 13	2
0003	CBC 4	2
0003	CBC 3	2
0003	CBC 2	2
0003	CBC 1	2
0004	POWSUP	R
0004	CBC 10	2
0005	POWSUP	W
0005	CBC 15	2
0006	POWSUP	R W
0006	CBC 12	2
0007	POWSUP	O
0007	JC428	A 3
0008	POWREG	BK
0008	XZC313	A16
0008	• • XZC311	A16
0008	• • • XZC311	B16
0008	• • • XZC311	B35
0008	• • • XZC311	A35
0008	• • XZC309	A16
0008	• • • XZC309	B16
0008	• • XZC307	A16
0008	• • XZC307	B16
0008	• XZC313	B16
0008	• JC328	C 3
0008	XZC315	16
0008	• XZC316	A16
0008	• • XZC318	22
0008	• XZC316	B16
0008	• • JC328	B 2
0008	• XZC116	B16
0008	• XZC116	A16
0008	• XZC115	16
0008	• XZC114	16
0008	• XZC112	A16
0008	• • XZC112	B16

NET	COMPONENT	PIN
0008	• XZC110	A16
0008	• • XZC110	B16
0008	• XZC108	A16
0008	• XZC108	B16
0008	• • • XZC107	35
0008	• • SC 1	2
0008	• XZC107	14
0008	POWSUP	BK
0008	• • XZC320	1
0008	• • • XZC320	2
0008	• • • XZC321	1
0008	• • • XZC321	2
0008	• • XZC319	1
0008	• • XZC319	2
0008	• XZC323	1
0008	• • • XZC323	2
0008	• • XZC324	1
0008	• • • XZC324	15
0008	• • XZC324	2
0008	• XZC322	1
0008	• XZC322	2
0008	XZC122	1
0008	• • XZC122	2
0008	• XZC123	1
0008	• XZC123	2
0008	XZC121	1
0008	• XZC121	2
0008	XZC120	36
0009	CBC 1	1
0009	ZC1270R7	1
0009	XZC122	7
0009	• XZC122	8
0009	• XZC122	35
0009	• XZC122	36
0009	XZC122	6
0010	CBC 2	1
0010	ZC1270R6	1
0010	XZC123	7
0010	• XZC123	8
0010	• XZC123	35
0010	• XZC123	36
0010	XZC123	6
0011	CBC 3	1
0011	ZC1270R5	1
0011	XZC319	7
0011	• XZC319	8
0011	• XZC319	35
0011	• XZC319	36
0011	• XZC318	23
0011	XZC319	6



<b>TITLE</b> MODULE C WIRING OF RECEIVER SET VS234 AND VS269			
WIRING DIAGRAM 7731WD	ISSUE 43	USED ON 310902	DATE 1-28-70 <del>03/20/67</del>
		PAGE 2	OF 10/20

NET	COMPONENT	PIN
0012	CBC 4	1
0017	ZC1270R4	1
0012	XZC320	7
0012	• XZC320	8
0012	• XZC320	35
0012	• XZC320	36
0012	XZC320	6
0013	CBC 5	1
0013	ZC1270R3	1
0013	XZC321	7
0013	• XZC321	8
0013	• XZC321	35
0013	• XZC321	36
0013	XZC321	6
0014	CBC 6	1
0014	ZC1270R2	1
0014	XZC322	7
0014	• XZC322	8
0014	• XZC322	35
0014	• XZC322	36
0014	XZC322	6
0015	CBC 7	1
0015	ZC1270R1	1
0015	XZC323	7
0015	• XZC323	8
0015	• XZC323	35
0015	• XZC323	36
0015	XZC323	6
0016	CBC 8	1
0016	JC 1	1
0017	CBC 8	2
0017	JC428	B 1
0018	CBC 9	2
0018	JC428	A 1
0019	CBC 10	1
0019	XZC320	26
0019	• XZC321	26
0019	• • • XZC322	26
0019	• • • XZC323	26
0019	• • • XZC324	26
0019	• JC328	E 1
0019	• XZC121	26
0019	• • XZC122	26
0019	• • XZC123	26
0019	• XZC120	26

NET	COMPONENT	PIN
0019	• KC119	A 5
0019	• CRC119	A A
0019	XZC319	26
0019	XZC318	31
0019	XZC318	27
0019	XZC318	10
0019	XZC318	4
0019	XZC318	3
0019	XZC318	1
0019	• XZC107	23
0019	XZC107	2
0020	CBC 11	1
0020	XZC311	A20
0020	• • • XZC309	A20
0020	• • • • XZC309	B20
0020	• • • XZC307	A20
0020	• • • XZC307	B20
0020	• XZC311	B20
0020	• • POWREG	BKW
0020	• XZC313	A20
0020	• • XZC313	B20
0020	• • JC328	A 3
0020	• XZC315	20
0020	• XZC316	A20
0020	• • • XZC316	B20
0020	• • XZC318	20
0020	• XZC120	3
0020	XZC110	A20
0020	• • XZC110	B20
0020	• XZC112	A20
0020	• • XZC114	20
0020	• • XZC115	20
0020	• • XZC116	A20
0020	• • XZC116	B20
0020	• XZC112	B20
0020	XZC108	A20
0020	XZC108	B20
0021	CBC 12	1
0021	XZC319	11
0021	• XZC320	11
0021	• • • XZC321	11
0021	• • • XZC322	11
0021	• • • XZC323	11
0021	• • • XZC324	11
0021	• • JC328	C 1
0021	• XZC120	11
0021	• • XZC121	11
0021	• • XZC122	11
0021	• • XZC123	11
0021	• XZC116	B18
0021	• XZC116	A18



NETWORK LISTING (TABULAR WIRING DIAGRAM)

TITLE: <b>MODULE C WIRING OF RECEIVER SET VS234 AND VS269</b>				
WIRING DIAGRAM	ISSUE	USED ON	DATE	PAGE 3 OF 20/20
7731WD	43	310902	1-28-70 03/20/69	

NET	COMPONENT	PIN
0021	• XZC115	18
0021	• XZC114	18
0021	• XZC112	A18
0021	• • XZC112	B18
0021	• XZC110	A18
0021	• • XZC110	B18
0021	• XZC108	A18
0021	• XZC108	B18
0021	XZC318	18
0021	• XZC316	A18
0021	• • XZC316	B18
0021	• XZC315	18
0021	• XZC313	A18
0021	• • XZC313	B18
0021	• • XZC313	B25
0021	• • XZC313	B36
0021	• XZC311	A18
0021	• • XZC311	B18
0021	• XZC309	A18
0021	• • XZC309	B18
0021	• XZC307	A18
0021	• XZC307	B18
0021	POWREG	R W
0022	CBC 13	1
0022	ZC1270R9	1
0022	XZC324	7
0022	• XZC324	8
0022	• XZC324	35
0022	• XZC324	36
0022	XZC324	6
0023	CBC 14	1
0023	ZC1270R8	1
0023	XZC121	7
0023	• XZC121	8
0023	• XZC121	35
0023	• XZC121	36
0023	XZC121	6
0024	CBC 15	1
0024	ZC128	COM
0024	• XZC324	5
0024	• XZC323	5
0024	• XZC322	5
0024	• XZC321	5
0024	• XZC320	5
0024	• XZC319	5
0024	XZC123	5
0024	XZC122	5
0024	XZC121	5
0025	XZC107	4

NET	COMPONENT	PIN
0025	XZC110	B 4
0025	JC328	F 4
0026	XZC107	5
0026	XZC110	B23
0026	JC328	H 5
0027	XZC107	6
0027	XZC110	A 7
0027	XZC110	A14
0027	JC328	F 5
0028	XZC107	9
0028	XZC110	B12
0028	JC328	G 4
0029	XZC107	22
0029	XZC112	B23
0029	JC328	B 4
0030	XZC107	24
0030	XZC112	A24
0030	JC328	A 4
0031	XZC107	25
0031	XZC110	B26
0031	JC328	H 4
0032	XZC107	26
0032	XZC112	B31
0032	JC328	D 4
0033	XZC107	27
0033	XZC112	A32
0033	JC328	C 4
0034	XZC107	30
0034	XZC307	A36
0034	XZC110	A24
0034	JC328	G 5
0035	XZC108	A 1
0035	KC119	A 4
0035	CRC119	A C
0036	XZC108	A 3
0036	XZC110	B 9
0037	XZC108	A 5
0037	XZC112	A 1
0037	XZC112	B10
0037	XZC313	B23





TITLE <b>MODULE C WIRING OF RECEIVER SET VS234 AND VS261</b>			
WIRING DIAGRAM 7731WU	ISSUE 43	USED ON 310903 310903	DATE 1-21-70 03720/67
PAGE 4		OF 10/20	

NET	COMPONENT	PIN
0038	XZC108	A 8
0038	XZC110	A11
0038	XZC110	A13
0039	XZC108	A12
0039	XZC108	A10
0039	XZC112	A14
0039	• XZC112	B26
0039	• XZC313	B 3
0039	• XZC313	A 9
0039	• XZC313	A31
0039	• XZC318	32
0039	XZC112	A35
0040	XZC108	A22
0040	XZC112	A11
0040	XZC112	B11
0041	XZC108	A23
0041	XZC307	B12
0041	XZC307	A27
0042	XZC110	B 6
0042	XZC108	B 1
0042	XZC318	2
0043	XZC108	B 2
0043	XZC110	A 5
0043	XZC110	A 9
0044	XZC110	B 2
0044	XZC108	B 4
0044	XZC318	15
0045	XZC110	A 3
0045	XZC108	B 6
0045	XZC318	9
0046	XZC108	B 7
0046	XZC110	A23
0046	XZC110	A26
0047	XZC108	B 8
0047	XZC110	B34
0047	• XZC313	B31
0047	XZC307	B 4
0048	XZC108	B11
0048	XZC311	A33
0049	XZC108	B27
0049	XZC307	A23
0049	XZC313	A28

NET	COMPONENT	PIN
0050	XZC110	A 1
0050	XZC110	B28
0051	XZC110	A 2
0051	XZC313	A 1
0051	XZC318	26
0052	XZC110	A10
0052	XZC110	B 5
0053	XZC110	A17
0053	XZC110	B13
0054	XZC110	A21
0054	XZC112	A34
0054	• SC 9	1
0054	• SC 8	1
0054	• SC 7	1
0054	• SC 6	1
0054	• SC 5	1
0054	• SC 4	1
0054	• SC 3	1
0054	• SC 2	1
0054	XZC112	A13
0054	XZC313	B 1
0054	XZC313	A 5
0055	XZC110	A27
0055	XZC110	B22
0056	XZC110	A28
0056	XZC110	A36
0056	XZC110	B29
0056	XZC309	A22
0057	XZC110	A32
0057	XZC112	A26
0057	XZC112	A23
0058	XZC110	B27
0058	XZC110	A33
0058	• XZC311	B13
0058	• XZC311	A22
0058	XZC112	B12
0059	XZC110	A34
0059	XZC313	B 8
0059	XZC313	B 6
0059	XZC316	A 6
0059	• XZC316	B14
0059	• XZC316	B25
0059	• XZC316	B32



<b>TITLE</b> MODULE C WIRING OF RECEIVER SET VS234 AND VS269			
<b>WIRING DIAGRAM</b> 7731WD	<b>ISSUE</b> 4 1/2	<b>USED ON</b> 310902	<b>DATE</b> 1-29-70 <del>03/20/67</del>
		<b>PAGE</b> 5	<b>OF</b> 20/20

NET	COMPONENT	PIN
0059	XZC116	B32
0059	XZC116	B25
0059	XZC116	B14
0059	XZC116	A 6
0060	XZC110	B 8
0060	XZC110	B36
0061	XZC110	B30
0061	XZC112	A10
0061	• XZC311	A34
0061	XZC120	9
0062	XZC112	A28
0062	XZC112	A31
0062	XZC110	B32
0062	XZC307	A 5
0063	XZC112	A 2
0063	XZC112	B 9
0063	XZC307	A 6
0064	XZC112	A 3
0064	XZC112	A 7
0064	XZC313	B27
0064	XZC307	A 7
0065	XZC112	A 5
0065	XZC307	A 9
0066	XZC112	B17
0066	XZC112	A 6
0066	XZC112	A 9
0066	XZC311	A36
0067	XZC112	A17
0067	XZC313	A 8
0068	XZC112	A21
0068	XZC311	B34
0069	XZC112	B22
0069	XZC112	A27
0069	XZC313	B 7
0070	XZC112	A36
0070	XZC114	9
0071	XZC112	B 1
0071	SC 1	3
0072	XZC112	B 4
0072	XZC112	B27

NET	COMPONENT	PIN
0073	XZC112	B 6
0073	SC 1	1
0074	XZC311	B36
0074	XZC112	B 7
0074	JC328	C 7
0075	XZC112	B14
0075	XZC311	B33
0076	XZC112	B28
0076	XZC307	B23
0076	XZC307	B30
0077	XZC112	B30
0077	XZC112	B34
0078	XZC116	A36
0078	XZC116	A 1
0078	XZC116	B30
0078	XZC116	B23
0078	XZC316	A36
0078	• XZC316	A 1
0078	• XZC316	B30
0078	• XZC316	B23
0078	XZC307	A28
0078	XZC307	A26
0079	XZC116	A34
0079	XZC116	A 2
0079	XZC116	B12
0079	XZC116	B 4
0079	XZC316	B12
0079	XZC316	B 4
0079	XZC316	A34
0079	XZC316	A 2
0079	XZC313	B 4
0079	XZC313	A10
0080	XZC116	A 5
0080	SC 9	2
0081	XZC116	A 7
0081	XZC116	A 9
0082	XZC116	A10
0082	XZC319	15
0083	XZC116	A11
0083	XZC116	A14
0084	XZC116	A13



<b>TITLE</b> <b>MODULE C WIRING OF RECEIVER SET VS234 AND VS269</b>			
<b>WIRING DIAGRAM</b> 7731WD	<b>ISSUE</b> 43	<b>USED ON</b> 310902	<b>DATE</b> 1-29-70 <del>03/20/67</del>
		<b>PAGE</b> 6	<b>OF</b> 10/20

NET	COMPONENT	PIN
0084	SC 8	2
0085	XZC116	A17
0085	XZC123	15
0086	XZC116	A21
0086	JC328	B 7
0087	XZC116	A23
0087	SC 7	2
0088	XZC116	A24
0088	XZC116	B10
0089	XZC116	A26
0089	XZC116	B 7
0090	XZC116	A27
0090	XZC122	15
0091	XZC116	A28
0091	XZC116	B15
0092	XZC116	A31
0092	SC 6	2
0093	XZC116	A32
0093	XZC116	B28
0094	XZC116	A33
0094	XZC114	22
0095	XZC116	B 1
0095	XZC114	32
0096	XZC116	B 5
0096	JC328	G 8
0097	XZC116	B 6
0097	JC328	A 7
0098	XZC116	B 9
0098	XZC116	B24
0099	XZC116	B13
0099	JC328	H 8
0100	XZC116	B22
0100	XZC115	22
0101	XZC116	B27
0101	XZC116	B33

NET	COMPONENT	PIN
0102	XZC116	B31
0102	XZC115	9
0103	XZC116	B34
0103	XZC121	15
0104	XZC120	5
0104	XZC120	13
0104	XZC121	30
0104	XZC122	30
0104	XZC123	30
0104	XZC323	30
0104	XZC324	30
0104	XZC322	30
0104	XZC321	30
0104	XZC320	30
0104	XZC319	30
0105	XZC120	7
0105	XZC324	22
0105	XZC323	22
0105	XZC322	22
0105	XZC321	22
0105	XZC320	22
0105	XZC319	22
0105	XZC123	22
0105	XZC122	22
0105	XZC121	22
0106	XZC121	10
0106	XZC121	9
0106	JC328	H10
0107	XZC121	27
0107	XZC121	28
0107	ZC1270R8	2
0107	ZC1280CR	8
0108	XZC121	31
0108	XZC121	32
0108	ZC1270R8	3
0108	XZC121	33
0109	XZC122	10
0109	XZC122	9
0109	JC328	F10
0110	XZC122	27
0110	XZC122	28
0110	ZC1270R7	2
0110	ZC1280CR	7
0111	XZC122	31



<b>TITLE</b> <b>MODULE C WIRING OF RECEIVER SET VS234 AND VS 269</b>			
<b>WIRING DIAGRAM</b> 7731WD	<b>ISSUE</b> 4A	<b>USED ON</b> 310902	<b>DATE</b> 1-29-70 03/30/67
<b>PAGE</b> 7		<b>OF</b> 20/20	

NET	COMPONENT	PIN
0111	XZC122	32
0111	• ZC1270R7	3
0111	XZC122	33
0112	XZC123	10
0112	XZC123	9
0112	JC328	D10
0113	XZC123	27
0113	XZC123	28
0113	ZC1270R6	2
0113	ZC1280CR	6
0114	XZC123	31
0114	XZC123	32
0114	• ZC1270R6	3
0114	XZC123	33
0115	ZC1280CR	1
0115	ZC1270R1	2
0115	XZC323	28
0115	XZC323	27
0116	ZC1280CR	2
0116	ZC1270R2	2
0116	XZC322	28
0116	XZC322	27
0117	ZC1280CR	3
0117	ZC1270R3	2
0117	XZC321	28
0117	XZC321	27
0118	ZC1280CR	4
0118	ZC1270R4	2
0118	XZC320	28
0118	XZC320	27
0119	ZC1280CR	5
0119	ZC1270R5	2
0119	XZC319	28
0119	XZC319	27
0120	ZC1280CR	9
0120	ZC1270R9	2
0120	XZC324	28
0120	XZC324	27
0121	XZC307	A10
0121	XZC313	B 2
0122	XZC307	A11
0122	XZC307	A24

NET	COMPONENT	PIN
0123	XZC307	A13
0123	XZC309	B12
0123	XZC309	A11
0123	XZC309	A32
0123	XZC309	B25
0124	XZC307	A14
0124	XZC309	B 2
0124	XZC309	A10
0125	XZC307	A17
0125	XZC309	B23
0126	XZC307	B 1
0126	XZC307	B27
0126	XZC309	B14
0127	XZC307	B 5
0127	XZC313	A34
0128	XZC307	B 9
0128	XZC309	B13
0129	XZC307	B13
0129	JC328	E 5
0130	XZC307	B14
0130	XZC309	B10
0130	XZC309	A12
0130	XZC309	A14
0131	XZC309	A 1
0131	XZC309	B 1
0131	XZC309	B 9
0131	XZC309	B11
0132	XZC309	A 2
0132	XZC309	A 3
0132	XZC309	B 3
0133	XZC309	A33
0133	XZC309	A27
0133	XZC309	A13
0133	XZC311	B 4
0133	• XZC311	A13
0133	• XZC311	A27
0133	• XZC313	A27
0133	XZC309	B 4
0134	XZC309	A23
0134	XZC313	A 3



TITLE <b>MODULE C WIRING OF RECEIVER SET VS234 AND VS269</b>				
WIRING DIAGRAM <b>7731WD</b>	ISSUE <b>4 1/2</b>	USED ON <b>310902</b>	DATE <b>1-29-70</b> <b>03/20/67</b>	PAGE <b>8</b> OF <b>10/20</b>

NET	COMPONENT	PIN
0135	XZC309	A24
0135	XZC309	A26
0135	XZC309	B26
0136	XZC309	A25
0136	XZC309	B24
0136	XZC309	B33
0136	XZC309	B35
0137	XZC309	A35
0137	XZC309	A34
0137	XZC309	B34
0138	XZC309	B36
0138	XZC309	A36
0138	XZC311	B 2
0138	XZC311	A10
0139	XZC311	A 1
0139	XZC311	B 1
0139	XZC311	B 9
0139	XZC311	B11
0140	XZC311	A 2
0140	XZC311	A 3
0140	XZC311	B 3
0141	XZC311	B12
0141	XZC311	A11
0141	XZC311	A32
0141	XZC311	B25
0142	XZC311	A14
0142	XZC311	A12
0142	XZC311	B10
0143	XZC311	A23
0143	XZC311	B23
0143	XZC311	B24
0143	XZC311	A25
0144	XZC311	A24
0144	XZC311	A26
0144	XZC311	B26
0145	XZC311	B14
0145	XZC311	B22
0146	XZC315	9
0146	XZC316	B 1
0147	XZC315	11
0147	JC328	F 7

NET	COMPONENT	PIN
0148	XZC315	22
0148	XZC316	B31
0149	XZC315	26
0149	JC328	E 7
0150	XZC315	32
0150	XZC316	B22
0151	XZC315	34
0151	JC328	D 7
0152	XZC316	A 5
0152	SC 5	2
0153	XZC316	A 7
0153	XZC316	B10
0154	XZC316	A 9
0154	XZC316	A24
0155	XZC316	A10
0155	XZC323	15
0156	XZC316	A11
0156	XZC316	A32
0157	XZC316	A13
0157	SC 4	2
0158	XZC316	A14
0158	XZC316	B28
0159	XZC316	A17
0159	XZC322	15
0160	XZC316	A21
0160	JC328	D 8
0161	XZC316	A23
0161	SC 3	2
0162	XZC316	A26
0162	XZC316	B 7
0163	XZC316	A27
0163	XZC321	15
0164	XZC316	A28
0164	XZC316	B15
0165	XZC316	A31



TABLE			
MODULE C WIRING OF RECEIVER SET VS234 AND VS269			
WIRING DIAGRAM	ISSUE	USED ON	DATE
7731WD	43	310902	1-29-79 03/20/67
		PAGE	9 OF 1/10

NET	COMPONENT	PIN	NET	COMPONENT	PIN
0165	SC 2	2	0181	XZC321	10
0166	XZC316	A35	0181	XZC321	9
0166	XZC115	32	0181	JC328	F 9
0167	XZC316	B 5	0182	XZC321	31
0167	JC328	E 8	0182	XZC321	32
0168	XZC316	B 6	0182	• ZC1270R3	3
0168	JC328	C 8	0182	XZC321	33
0169	XZC316	B 9	0183	XZC322	10
0169	XZC316	B24	0183	XZC322	9
0170	XZC316	B13	0183	JC328	D 9
0170	JC328	F 8	0184	XZC322	31
0171	XZC316	B27	0184	XZC322	32
0171	XZC316	B33	0184	• ZC1270R2	3
0172	XZC316	B34	0184	XZC322	33
0172	XZC320	15	0185	XZC323	10
0173	XZC318	11	0185	XZC323	9
0173	JC328	F 3	0185	JC328	B 9
0174	XZC318	12	0186	XZC323	31
0174	JC328	H 3	0186	XZC323	32
0175	XZC318	14	0186	• ZC1270R1	3
0175	JC328	G 3	0186	XZC323	33
0176	XZC318	34	0187	XZC324	10
0176	JC328	H 2	0187	XZC324	9
0177	XZC319	10	0187	JC328	B 8
0177	XZC319	9	0188	XZC324	31
0177	JC328	B10	0188	XZC324	32
0178	XZC319	31	0188	• ZC1270R9	3
0178	XZC319	32	0188	XZC324	33
0178	• ZC1270R5	3	0189	JC328	A 6
0178	XZC319	33	0189	XZC115	11
0179	XZC320	10	0190	JC328	A 8
0179	XZC320	9	0190	ZC1270R9	4
0179	JC328	H 9	0191	JC328	A 9
0180	XZC320	31	0191	ZC1270R1	4
0180	XZC320	32	0192	JC328	A10
0180	• ZC1270R4	3	0192	ZC1270R5	4
0180	XZC320	33	0193	JC328	S 6
			0193	XZC114	34
			0194	JC328	C 6
			0194	XZC114	28



TITLE <b>MODULE C WIRING OF RECEIVER SET VS234 AND VS 269</b>			
WIRING DIAGRAM <b>7731WU</b>	ISSUE <b>48</b>	USED ON <b>310902</b>	DATE <b>1-29-70</b> <b>03/20/67</b>
PAGE <b>10</b>		OF <b>40/40</b>	

NET	COMPONENT	PIN	NET	COMPONENT	PIN
0195	JC328	C 9		<b>END OF LISTING</b>	
0195	ZC1270R2	4			
0196	JC328	C10			
0196	ZC1270R6	4			
0197	JC328	D 2			
0197	JC428	A 2			
0198	JC328	D 6			
0198	XZC114	11			
0199	JC328	E 9			
0199	ZC1270R3	4			
0200	JC328	E10			
0200	ZC1270R7	4			
0201	JC328	F 1			
0201	KC119	A 1			
0202	JC328	G 1			
0202	KC119	A 3			
0203	JC328	G 7			
0203	XZC115	34			
0204	JC328	G 9			
0204	ZC1270R4	4			
0205	JC328	G10			
0205	ZC1270R8	4			
0206	JC328	H 1			
0206	KC119	A 2			
0207	JC328	H 7			
0207	XZC115	26			
0208	JC428	B 2			
0208	JC 1	3			
0209	JC428	B 3			
0209	JC 1	2			

**NUMBER OF WIRES = 581**

# ISSUE CONTROL RECORD

7732 **WD**

SHEET NO.	ISSUE																		
	2	3	4	5	6	7	8	9	10	11	12	13	14	15	16	17	18	19	
1C																			
2C																			
3C	X																		
4C																			
1R	X																		
2R	X																		
3R	X																		
4R	X																		
5R	X																		
6R	X																		
7R	X																		
8R	X																		
9R	X																		
1	X																		
2	X																		
3	X																		
4	X																		
5	X																		
6	X																		
7	X																		
8	X																		
9	X																		
10	X																		
11	X																		
12	X																		
13	X																		
14	X																		
15	X																		
16	X																		

REVISIONS		
NO.	DATE	BY

**ISSUE CONTROL SHEET 1 OF 1**

Actual Wiring Diagram for Model D 310903

APPROVALS	
DATE	BY

FORM NO. 7732A

DATE: 11-8-65

NO. FILED

TELETYPE

**7732 WD**





## I. PAGE NUMBERING

**THIS WD CONSISTS OF THREE SECTIONS: THE COVER PAGES, THE NETWORK LISTING INDEX PAGES, AND THE NETWORK LISTING PAGES. EACH PAGE IS NUMBERED TO SHOW THE PAGE, THE SECTION, THE TOTAL PAGES IN THE SECTION, AND THE TOTAL PAGES IN THE WD.**

**PAGE 3C OF 4C/30 MEANS THE THIRD PAGE OF 4 COVER PAGES IN A WD IN A WD HAVING 30 TOTAL PAGES.**

**PAGE 2X OF 11X/30 IS THE 2ND OF 11 INDEX PAGES IN A WD HAVING 30 TOTAL PAGES.**

**PAGE 10 OF 15/30 IS THE 10TH OF 15 NETWORK PAGES IN A WD HAVING 30 TOTAL PAGES.**

## 2. COVER PAGES

**THE COVER PAGES CONTAIN THE RELEASE INFORMATION AND NOTES PERTAINING TO THE WD.**

## 3. NETWORK LISTING - INDEX

**THE INDEX LISTS PINS IN ALPHA-NUMERICAL ORDER AND IS A CROSS REFERENCE TO THE NUMBER OF THE NETWORK IN WHICH THEY APPEAR.**

## 4. NETWORK LIST

**THE NETWORK LIST IS A LIST OF CONNECTOR PINS THAT ARE CONNECTED TOGETHER IN A COMMON ELECTRICAL CIRCUIT. IT LISTS THE PINS IN FROM-TO-TO ORDER. AT BRANCHING POINTS THE FIRST PIN OF THE BRANCH IS INDENTED. A SECOND INDENTATION INDICATES A BRANCH WITHIN THE FIRST BRANCH. THREE INDENTS INDICATES A THIRD SUB BRANCH. IF FURTHER SUB BRANCHES ARE ENCOUNTERED, AN INDENT NUMBER IS USED INSTEAD OF FURTHER INDENTING.**

**AT A BRANCHING POINT THE BRANCHING PIN IS CONNECTED TO THE PIN LISTED ON THE NEXT LINE BELOW AS WELL AS TO THE PIN AT THE END OF THE COLUMN OF DOTS EXTENDING BELOW THE BRANCHING PIN. IF NO PINS ARE LISTED DIRECTLY BELOW OR TO THE RIGHT, THE BRANCH ENDS. THERE IS NO DIRECT CONNECTION BETWEEN A PIN AND ONE LISTED BELOW AND IN A COLUMN TO ITS LEFT.**

**THE ASTERISK IN FRONT OF THE INDENT NUMBER IDENTIFIES THE FIRST PIN OF A NEW SUB BRANCH.**



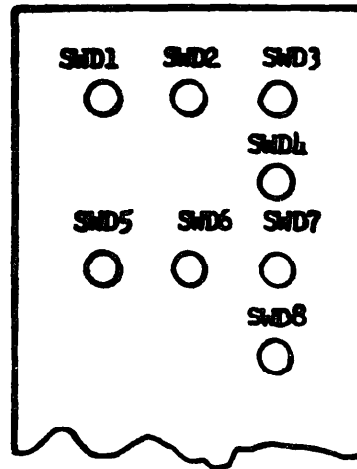
SAMPLE NETWORK (ARROWS SHOW CONNECTIONS)

NET	COMPONENT	PIH
0143	JD 4	6 6
0143	XZD314	21
0143	XZD313	20
0143	. . . XZD313	6
0143	. . . XZD312	6
0143	. . . XZD311	6
0143	. XZD313	23
0143	. . . XZD313	25
0143	. . . XZD313	31
0143	**04 XZD313	33
0143	04 XZD312	33
0143	. . . XZD312	31
0143	. . . XZD311	31
0143	. . XZD312	25
0143	. . XZD311	25
0143	. XZD312	23
0143	. XZD311	23
0143	XZD312	20
0143	XZD311	20
0144	JD 4	6 7
0144	XZD308	18
0144	XZD309	18
0144	XZD310	18
0144	. XZD310	28
0144	. . . XZD313	8
0144	. . . XZD314	31
0144	. . . XZD319	29
0144	. . . XZD328	31
0144	. XZD309	28
0144	. XZD308	28
0144	XZD310	4
0144	XZD309	4

## MODULE D

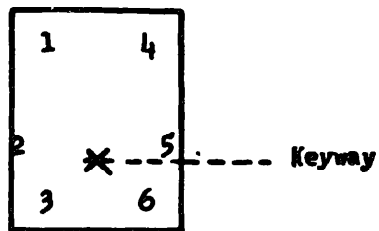
- NOTE 1. Refer to 7730WD for schematic Wiring Diagram of VS234.  
 " " 7746WD " " " " VS269.  
 2. Front panel switch locations.

Rear View



3. Toggle switch terminal locations

Wiring Side

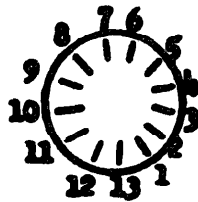


SWD1, SWD3, SWD5, SWD7

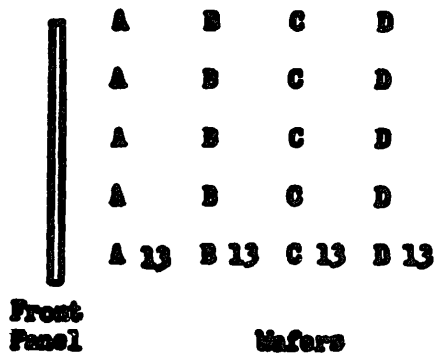


4. Wafer switch terminal locations

Rear View



Side View

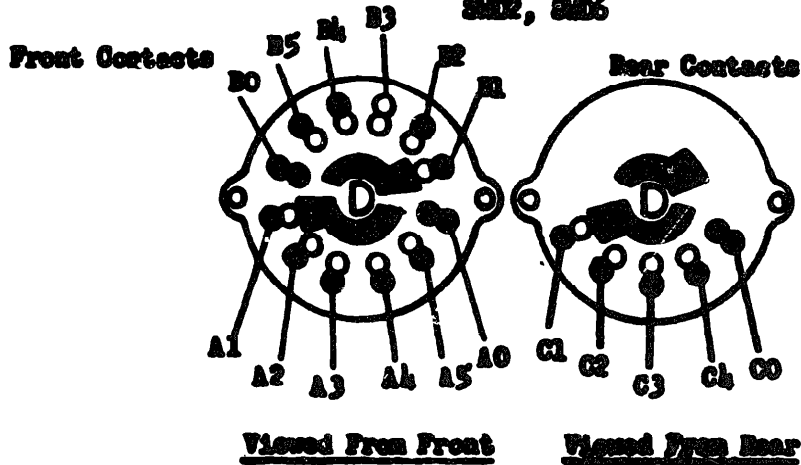


SMD, SMD6

5. Switch designations SMD - - - and SD - - - are identical. In the actual wiring diagram it appears as SD - - -. In the schematic wiring diagram it appears as SMD - - -.

6. Single wafer switch terminal locations

SMD2, SMD6





NETWORK LISTING (TABULAR WIRING DIAGRAM) - INDEX

3 - 6 7  
WDP

TITLE <b>MODULE U WIRING OF RECEIVER SET VS234 AND VS269</b>			
WIRING DIAGRAM <b>7732WD</b>	ISSUE <b>2 x</b>	USED ON <b>310403</b>	DATE <b>1-29-70</b> <del>02-10-66</del>
PAGE		1K OF 9X/29	

COMPONENT	PIN	NET
FRAME		0232
JD328	A 3	0008
JD328	A 4	021A
JD328	A 5	0151
JD328	A 8	0110
JD328	A10	0141
JD328	B 2	0006
JD328	B 3	0119
JD328	B 4	0222
JD328	B 5	0152
JD328	B 7	0125
JD328	B 8	0106
JD328	B 9	0139
JD328	B10	0140
JD328	C 1	0007
JD328	C 2	0121
JD328	C 3	0145
JD328	C 4	0214
JD328	C 5	0150
JD328	C 7	0112
JD328	C 8	0103
JD328	C 9	0144
JD328	C10	0136
JD328	D 2	0232
JD328	D 4	0219
JD328	D 6	0231
JD328	D 7	0113
JD328	D 8	0109
JD328	D 9	0143
JD328	D10	0137
JD328	E 1	0147
JD328	E 3	0146
JD328	E 5	0229
JD328	E 6	0230
JD328	E 7	0116
JD328	E 8	0102
JD328	E 9	0142
JD328	E10	0138
JD428	A 3	0166
JD428	A 4	0174
JD428	A 5	0233
JD428	A 8	0234
JD428	A10	0235
JD428	B 2	0163
JD428	B 3	0236
JD428	B 4	0179
JD428	B 5	0237
JD428	B 7	0238
JD428	B 8	0239
JD428	B 9	0240
JD428	B10	0241
JD428	C 1	0165
JD428	C 2	0242

COMPONENT	PIN	NET
JD428	C 3	0205
JD428	C 4	0167
JD428	C 5	0243
JD428	C 7	0244
JD428	C 8	0245
JD428	C 9	0246
JD428	C10	0247
JD428	D 2	0232
JD428	D 4	0176
JD428	D 6	0210
JD428	D 7	0248
JD428	D 8	0249
JD428	D 9	0250
JD428	D10	0251
JD428	E 1	0252
JD428	E 3	0207
JD428	E 5	0204
JD428	E 6	0208
JD428	E 7	0253
JD428	E 8	0254
JD428	E 9	0255
JD428	E10	0256
SD 1	2	0006
SD 1	3	0212
SD 2	A 0	0006
SD 2	A 1	0052
SD 2	A 2	0048
SD 2	A 3	0040
SD 2	B 0	0050
SD 2	B 1	0054
SD 2	B 2	0049
SD 2	B 3	0042
SD 2	B 4	0058
SD 2	C 0	0030
SD 2	C 1	0056
SD 2	C 2	0057
SD 2	C 3	0045
SD 2	C 4	0061
SD 3	1	0223
SD 3	2	0006
SD 3	3	0221
SD 4	A 1	0103
SD 4	A 2	0003
SD 4	A 3	0003
SD 4	A 4	0001
SD 4	A 5	0001
SD 4	A 6	0001
SD 4	A 7	0001
SD 4	A 8	0001
SD 4	A 9	0001
SD 4	A10	0001
SD 4	A11	0001
SD 4	A12	0003

COMPONENT	PIN	NET
SD 4	A13	0224
SD 4	B 1	0005
SU 4	B 2	0005
SU 4	B 3	0005
SD 4	B 4	0017
SD 4	B 5	0017
SD 4	B 6	0017
SU 4	B 7	0017
SD 4	B 8	0005
SU 4	B 9	0005
SD 4	B10	0005
SD 4	B11	0005
SD 4	B12	0017
SD 4	B13	0225
SU 4	C 1	0010
SD 4	C 2	0012
SD 4	C 3	0012
SD 4	C 4	0010
SD 4	C 5	0010
SD 4	C 6	0012
SD 4	C 7	0012
SD 4	C 8	0010
SU 4	C 9	0010
SD 4	C10	0012
SD 4	C11	0012
SD 4	C12	0010
SU 4	C13	0216
SD 4	D 1	0019
SD 4	D 2	0015
SD 4	D 3	0019
SD 4	D 4	0015
SD 4	D 5	0019
SD 4	D 6	0015
SD 4	D 7	0019
SD 4	D 8	0015
SD 4	D 9	0019
SD 4	D10	0015
SD 4	D11	0019
SD 4	D12	0015
SD 4	D13	0215
SD 5	2	0153
SD 5	3	0159
SD 6	A 0	0153
SD 6	A 1	0285
SD 6	A 2	0291
SD 6	A 3	0275
SD 6	B 0	0283
SD 6	B 1	0286
SD 6	B 2	0282
SD 6	B 3	0276
SD 6	B 4	0289
SD 6	C 0	0266
SD 6	C 1	0287



<b>TITLE</b>			
<b>MODULE D WIRING OF RECEIVER SET VS234 AND VS269</b>			
<b>WIRING DIAGRAM</b>	<b>ISSUE</b>	<b>USED ON</b>	<b>DATE</b>
7732ND	27	910903	1-29-70 <del>8-10-70</del>
		<b>PAGE</b>	<b>2X OF 9X/29</b>

COMPONENT	PIN	NET
SD 6	C 2	0288
SD 6	C 3	0278
SD 6	C 4	0292
SD 7	1	0180
SD 7	2	0163
SD 7	3	0178
SD 8	A 1	0258
SD 8	A 2	0258
SD 8	A 3	0258
SD 8	A 4	0257
SD 8	A 5	0257
SD 8	A 6	0257
SD 8	A 7	0257
SD 8	A 8	0257
SD 8	A 9	0257
SD 8	A10	0257
SD 8	A11	0257
SD 8	A12	0258
SD 8	A13	0183
SD 8	B 1	0259
SD 8	B 2	0259
SD 8	B 3	0259
SD 8	B 4	0154
SD 8	B 5	0154
SD 8	B 6	0154
SD 8	B 7	0154
SD 8	B 8	0259
SD 8	B 9	0259
SD 8	B10	0259
SD 8	B11	0259
SD 8	B12	0154
SD 8	B13	0184
SD 8	C 1	0185
SD 8	C 2	0260
SD 8	C 3	0260
SD 8	C 4	0185
SD 8	C 5	0185
SD 8	C 6	0260
SD 8	C 7	0260
SD 8	C 8	0185
SD 8	C 9	0185
SD 8	C10	0260
SD 8	C11	0260
SD 8	C12	0185
SD 8	C13	0169
SD 8	D 1	0261
SD 8	D 2	0182
SD 8	D 3	0261
SD 8	D 4	0182
SD 8	D 5	0261
SD 8	D 6	0182
SD 8	D 7	0261
SD 8	D 8	0182

COMPONENT	PIN	NET
SD 8	D 9	0261
SU 8	D10	0182
SU 8	D11	0261
SD 8	D12	0182
SD 8	D13	0169
XZD103	A 3	0001
XZD103	A11	0002
XZD103	A12	0003
XZD103	A13	0004
XZD103	A14	0005
XZD103	A16	0006
XZD103	A18	0007
XZD103	A20	0008
XZD103	A22	0009
XZD103	A23	0005
XZD103	A24	0010
XZD103	A25	0011
XZD103	A26	0012
XZD103	A27	0004
XZD103	A29	0013
XZD103	A30	0014
XZD103	A32	0012
XZD103	A35	0015
XZD103	A36	0016
XZD103	B 4	0004
XZD103	B 9	0001
XZD103	B10	0003
XZD103	B11	0001
XZD103	B12	0002
XZD103	B13	0009
XZD103	B14	0017
XZD103	H16	0006
XZD103	B18	0007
XZD103	B20	0008
XZD103	B22	0017
XZD103	B23	0005
XZD103	B24	0011
XZD103	B25	0012
XZD103	B26	0010
XZD103	B30	0018
XZD103	B32	0018
XZD103	B33	0019
XZD103	B34	0015
XZD103	B35	0019
XZD103	B36	0016
XZD105	A 1	0020
XZD105	A 2	0021
XZD105	A 8	0022
XZD105	A10	0023
XZD105	A11	0024
XZD105	A12	0025
XZD105	A16	0006
XZD105	A18	0007

COMPONENT	PIN	NET
XZD105	A20	0008
XZD105	A22	0026
XZD105	A23	0025
XZD105	A24	0027
XZD105	A25	0020
XZD105	A28	0028
XZD105	A35	0029
XZD105	A36	0030
XZD105	B 1	0020
XZD105	B 2	0023
XZD105	B 3	0031
XZD105	B 6	0032
XZD105	B 9	0033
XZD105	B10	0034
XZD105	B11	0033
XZD105	B12	0031
XZD105	B13	0026
XZD105	H14	0035
XZD105	B16	0006
XZD105	H18	0037
XZD105	B20	0008
XZD105	B22	0022
XZD105	B23	0023
XZD105	B24	0020
XZD105	B25	0036
XZD105	B26	0029
XZD105	B28	0037
XZD105	B33	0027
XZD105	B34	0036
XZD105	B35	0027
XZD105	B36	0024
XZD107	A 1	0018
XZD107	A 2	0038
XZD107	A 5	0039
XZD107	A 7	0040
XZD107	A 9	0041
XZD107	A10	0042
XZD107	A11	0043
XZD107	A13	0040
XZD107	A14	0044
XZD107	A16	0006
XZD107	A17	0045
XZD107	A18	0037
XZD107	A20	0008
XZD107	A21	0046
XZD107	A23	0047
XZD107	A24	0048
XZD107	A26	0030
XZD107	A27	0049
XZD107	A28	0050
XZD107	A31	0048
XZD107	A32	0051
XZD107	A34	0052



**TITLE**  
**MODULE 0 WIRING OF RECEIVER SET VS236 AND VS 269**

**ISSUE** 27      **ISSUED ON** 310903      **DATE** 1-29-70  
~~02-10-66~~

**WIRING DIAGRAM** 7732ND      **PAGE** 3X      **92/29**

COMPONENT	PK	SET
XZD107	A35	0023
XZD107	A36	0034
XZD107	B 4	0053
XZD107	B 6	0052
XZD107	B 9	0028
XZD107	B10	0054
XZD107	B12	0041
XZD107	B16	0006
XZD107	H17	0028
XZD107	B18	0007
XZD107	B20	0008
XZD107	B21	0030
XZD107	B23	0055
XZD107	B27	0021
XZD107	B28	0056
XZD107	B30	0030
XZD107	B34	0057
XZD109	A11	0020
XZD109	A12	0054
XZD109	A13	0057
XZD109	A14	0040
XZD109	A16	0006
XZD109	A18	0007
XZD109	A20	0008
XZD109	A27	0020
XZD109	A23	0046
XZD109	A24	0042
XZD109	A25	0020
XZD109	A26	0048
XZD109	A27	0052
XZD109	A32	0051
XZD109	A33	0048
XZD109	A34	0040
XZD109	A35	0058
XZD109	A36	0020
XZD109	B 9	0059
XZD109	B10	0060
XZD109	B11	0056
XZD109	B12	0020
XZD109	B13	0020
XZD109	B14	0049
XZD109	B16	0006
XZD109	B18	0007
XZD109	B20	0008
XZD109	B22	0036
XZD109	B23	0057
XZD109	B24	0020
XZD109	B25	0045
XZD109	B26	0047
XZD109	B33	0044
XZD109	B34	0039
XZD109	B35	0061
XZD109	B36	0020

COMPONENT	PK	SET
XZD111	A11	0018
XZD111	A12	0054
XZD111	A16	0006
XZD111	A18	0007
XZD111	A20	0008
XZD111	A22	0018
XZD111	A23	0062
XZD111	A24	0051
XZD111	A25	0018
XZD111	A32	0063
XZD111	A35	0044
XZD111	A36	0018
XZD111	B 9	0064
XZD111	B10	0065
XZD111	B11	0060
XZD111	B12	0018
XZD111	B13	0018
XZD111	B14	0046
XZD111	B16	0006
XZD111	B18	0007
XZD111	B20	0008
XZD111	B22	0066
XZD111	B23	0038
XZD111	B24	0018
XZD111	B25	0047
XZD111	B26	0067
XZD111	B33	0068
XZD111	B34	0069
XZD111	B35	0039
XZD111	B36	0018
XZD113	A 1	0020
XZD113	A 2	0070
XZD113	A10	0071
XZD113	A11	0020
XZD113	A12	0072
XZD113	A16	0006
XZD113	A18	0007
XZD113	A20	0008
XZD113	A22	0020
XZD113	A23	0073
XZD113	A24	0074
XZD113	A25	0020
XZD113	A32	0072
XZD113	A35	0059
XZD113	A36	0020
XZD113	B 1	0020
XZD113	B 2	0075
XZD113	B 3	0076
XZD113	B 4	0070
XZD113	B10	0075
XZD113	B11	0077
XZD113	B12	0020
XZD113	B13	0020

COMPONENT	PK	SET
XZD113	B14	0071
XZD113	B16	0006
XZD113	B18	0037
XZD113	B20	0058
XZD113	B22	0078
XZD113	B23	0076
XZD113	B24	0020
XZD113	B25	0079
XZD113	B26	0077
XZD113	B33	0074
XZD113	B34	0079
XZD113	B35	0050
XZD113	B36	0020
XZD115	A 1	0018
XZD115	A 2	0071
XZD115	A 3	0080
XZD115	A10	0081
XZD115	A11	0018
XZD115	A12	0070
XZD115	A13	0082
XZD115	A14	0080
XZD115	A16	0006
XZD115	A18	0037
XZD115	A20	0008
XZD115	A22	0083
XZD115	A24	0072
XZD115	A25	0018
XZD115	A32	0064
XZD115	A35	0074
XZD115	A36	0018
XZD115	B 1	0018
XZD115	B 2	0076
XZD115	B 3	0085
XZD115	B 4	0086
XZD115	B 9	0097
XZD115	B10	0088
XZD115	B11	0075
XZD115	B12	0018
XZD115	B13	0089
XZD115	B14	0006
XZD115	B16	0006
XZD115	B18	0037
XZD115	B20	0008
XZD115	B22	0090
XZD115	B23	0091
XZD115	B24	0018
XZD115	B25	0077
XZD115	B26	0032
XZD115	B33	0093
XZD115	B34	0094
XZD115	B35	0079
XZD115	B36	0018
XZD117	J	0058



<b>TITLE</b> <b>MODULE D WIRING OF RECEIVER SET VS234 AND VS269</b>				
<b>WIRING DIAGRAM</b> 7732WD	<b>ISSUE</b> 2+	<b>USED ON</b> 310903	<b>DATE</b> 1-29-78 02/10/86	<b>PAGE</b> 4X OF 92/29

COMPONENT	PIN	NET
XZD117	2	0095
XZD117	3	0069
XZD117	5	0063
XZD117	6	0096
XZD117	7	0067
XZD117	8	0062
XZD117	9	0097
XZD117	10	0066
XZD117	11	0064
XZD117	12	0098
XZD117	13	0065
XZD117	16	0006
XZD117	18	0007
XZD117	20	0008
XZD117	22	0093
XZD117	23	0099
XZD117	24	0094
XZD117	25	0084
XZD117	26	0100
XZD117	27	0092
XZD117	28	0087
XZD117	29	0082
XZD117	30	0088
XZD117	31	0091
XZD117	32	0086
XZD117	33	0085
XZD117	34	0073
XZD117	35	0101
XZD117	36	0078
XZD118	A 2	0086
XZD118	A 5	0098
XZD118	A 9	0102
XZD118	A10	0103
XZD118	A11	0104
XZD118	A12	0105
XZD118	A13	0099
XZD118	A16	0006
XZD118	A17	0106
XZD118	A18	0007
XZD118	A19	0107
XZD118	A20	0008
XZD118	A21	0014
XZD118	A22	0108
XZD118	A23	0100
XZD118	A26	0109
XZD118	A27	0110
XZD118	A28	0111
XZD118	A29	0108
XZD118	A31	0082
XZD118	A34	0101
XZD118	A35	0097
XZD118	A36	0052
XZD118	B 3	0105

COMPONENT	PIN	NET
XZD118	H 9	0112
XZD118	H10	0113
XZD118	H12	0040
XZD118	H13	0095
XZD118	H16	0006
XZD118	H18	0007
XZD118	B20	0008
XZD118	B27	0114
XZD118	B28	0115
XZD118	B30	0048
XZD118	B31	0096
XZD118	B34	0116
XZD118	B35	0107
XZD120	A 1	0052
XZD120	A 2	0117
XZD120	A 4	0024
XZD120	A 5	0118
XZD120	A 6	0099
XZD120	A 7	0098
XZD120	A 8	0080
XZD120	A 9	0024
XZD120	A10	0037
XZD120	A11	0035
XZD120	A13	0119
XZD120	A14	0083
XZD120	A16	0006
XZD120	A17	0091
XZD120	A18	0007
XZD120	A20	0008
XZD120	A21	0120
XZD120	A23	0091
XZD120	A24	0121
XZD120	A26	0118
XZD120	A27	0083
XZD120	A28	0118
XZD120	A31	0122
XZD120	A36	0115
XZD120	B 1	0112
XZD120	B 4	0123
XZD120	B 7	0100
XZD120	B 9	0118
XZD120	H10	0089
XZD120	H12	0025
XZD120	H13	0037
XZD120	H16	0006
XZD120	H18	0007
XZD120	B20	0008
XZD120	B22	0102
XZD120	B23	0040
XZD120	B27	0124
XZD120	B28	0125
XZD120	B30	0048
XZD120	B31	0109

COMPONENT	PIN	NET
XZD120	B34	0117
XZD122	4	0126
XZD122	5	0116
XZD122	13	0127
XZD122	14	0113
XZD122	16	0006
XZD122	18	0037
XZD122	20	0008
XZD122	31	0128
XZD122	32	0129
XZD123	4	0130
XZD123	5	0103
XZD123	13	0131
XZD123	14	0106
XZD123	16	0006
XZD123	18	0037
XZD123	20	0008
XZD123	31	0132
XZD123	32	0110
XZD124	4	0133
XZD124	5	0104
XZD124	13	0134
XZD124	14	0111
XZD124	16	0006
XZD124	18	0037
XZD124	20	0008
XZD124	31	0135
XZD124	32	0114
XZD125	2	0130
XZD125	3	0134
XZD125	4	0133
XZD125	5	0128
XZD125	10	0136
XZD125	11	0137
XZD125	12	0138
XZD125	13	0139
XZD125	16	0006
XZD125	18	0037
XZD125	20	0008
XZD125	23	0140
XZD125	24	0141
XZD125	25	0142
XZD125	26	0143
XZD125	27	0144
XZD125	31	0131
XZD125	32	0132
XZD125	33	0126
XZD125	34	0127
XZD125	35	0135
XZD126	1	0037
XZD126	2	0008
XZD126	4	0145
XZD126	5	0146





TITLE <b>MODULE D WIRING OF RECEIVER SET VS234 AND VS269</b>			
WIRING DIAGRAM <b>7732WD</b>	ISSUE <b>2+</b>	USED ON <b>310903</b>	DATE <b>1-29-70</b> <del>02-10-69</del>
PAGE <b>5X</b>		OF <b>9X/29</b>	

COMPONENT	PIN	NET
XZD126	15	0006
XZD126	24	0147
XZD126	25	0147
XZD126	26	0148
XZD126	27	0147
XZD126	30	0149
XZD126	31	0147
XZD126	33	0150
XZD126	34	0151
XZD126	35	0152
XZD126	36	0153
XZD127	1	0007
XZD127	2	0007
XZD127	3	0006
XZD127	4	0006
XZD127	12	0008
XZD127	13	0008
XZD127	14	0006
XZD127	15	0006
XZD127	27	0007
XZD127	23	0007
XZD127	24	0006
XZD127	25	0006
XZD127	33	0008
XZD127	34	0008
XZD127	35	0006
XZD127	36	0006
XZU303	A 1	0154
XZD303	A 2	0155
XZD303	A 4	0156
XZD303	A 5	0157
XZD303	A 6	0158
XZD303	A 7	0159
XZD303	A 9	0160
XZD303	A10	0161
XZD303	A11	0158
XZD303	A13	0162
XZD303	A14	0161
XZD303	A16	0163
XZD303	A17	0164
XZD303	A18	0165
XZD303	A20	0166
XZD303	A21	0167
XZD303	A23	0168
XZD303	A24	0169
XZD303	A26	0170
XZD303	A27	0171
XZD303	A28	0172
XZD303	A31	0173
XZD303	A32	0174
XZD303	A33	0175
XZG303	A34	0175
XZD303	A35	0176

COMPONENT	PIN	NET
XZD303	A36	0177
XZD303	B 4	0158
XZD303	B 5	0178
XZD303	B 6	0179
XZD303	B 9	0156
XZD303	B10	0173
XZD303	B11	0164
XZD303	B12	0160
XZD303	B13	0160
XZD303	B14	0181
XZD303	B16	0163
XZD303	B17	0173
XZD303	B18	0165
XZD303	B20	0166
XZD303	B21	0170
XZD303	B23	0182
XZD303	B24	0183
XZD303	B25	0184
XZD303	B27	0175
XZD303	B28	0177
XZD303	B29	0172
XZD303	B30	0185
XZD303	B34	0155
XZD305	A 1	0186
XZD305	A 3	0187
XZD305	A 8	0188
XZD305	A10	0189
XZD305	A12	0190
XZD305	A16	0163
XZD305	A18	0165
XZD305	A20	0166
XZD305	A22	0191
XZD305	A23	0163
XZD305	A25	0165
XZD305	A27	0191
XZD305	A28	0171
XZD305	A29	0192
XZD305	A30	0192
XZD305	A32	0191
XZD305	A33	0193
XZD305	A34	0194
XZD305	A36	0165
XZD305	B 1	0195
XZD305	B 2	0196
XZD305	B 4	0197
XZD305	B 6	0189
XZD305	B 7	0198
XZD305	B 9	0199
XZD305	B10	0199
XZD305	B11	0200
XZD305	B16	0163
XZD305	B18	0165
XZD305	B20	0166

COMPONENT	PIN	NET
XZD305	B22	0198
XZD305	B27	0201
XZD305	B30	0202
XZD307	9	0203
XZD307	11	0204
XZD307	14	0205
XZD307	16	0163
XZD307	18	0165
XZD307	20	0166
XZD307	22	0206
XZD307	24	0207
XZD307	25	0208
XZD307	32	0209
XZD307	34	0210
XZD308	1	0167
XZD308	2	0252
XZD308	3	0176
XZD308	4	0174
XZD308	5	0179
XZD308	6	0242
XZD308	9	0236
XZD308	14	0163
XZD313	A 1	0017
XZD313	A 2	0211
XZD313	A 4	0002
XZD313	A 5	0027
XZD313	A 6	0014
XZD313	A 7	0212
XZD313	A 9	0013
XZD313	A10	0213
XZD313	A11	0014
XZD313	A13	0041
XZD313	A14	0213
XZD313	A16	0006
XZD313	A17	0016
XZD313	A18	0007
XZD313	A20	0008
XZD313	A21	0214
XZD313	A23	0215
XZD313	A24	0216
XZD313	A26	0011
XZD313	A27	0217
XZD313	A28	0009
XZD313	A31	0026
XZD313	A32	0216
XZD313	A33	0032
XZD313	A34	0032
XZD313	A35	0219
XZD313	A36	0220
XZD313	B 4	0014
XZD313	B 5	0221
XZD313	B 6	0222
XZD313	B 9	0002



<b>TITLE</b>			
<b>MODULE D WIRING OF RECEIVER SET VS234 AND VS269</b>			
<b>WIRING DIAGRAM</b>	<b>ISSUE</b>	<b>USED ON</b>	<b>DATE</b>
7732WD	2+	310903	1-29-70 <del>02-10-66</del>
			<b>PAGE</b> 6X OF 9X/29

COMPONENT	PIN	NET
XZD313	B10	0026
XZD313	B11	0016
XZD313	B12	0013
XZD313	B13	0223
XZD313	B14	0023
XZD313	B16	0006
XZD313	B17	0026
XZD313	B18	0007
XZD313	B20	0008
XZD313	B21	0011
XZD313	B23	0015
XZD313	B24	0224
XZD313	B25	0225
XZD313	B27	0032
XZD313	B28	0220
XZD313	B29	0009
XZD313	B30	0010
XZD313	B34	0211
XZD315	A 1	0149
XZD315	A 3	0025
XZD315	A 8	0090
XZD315	A10	0004
XZD315	A12	0043
XZD315	A16	0006
XZD315	A18	0007
XZD315	A20	0008
XZD315	A22	0018
XZD315	A23	0006
XZD315	A25	0007
XZD315	A27	0018
XZD315	A28	0217
XZD315	A29	0226
XZD315	A30	0226
XZD315	A32	0018
XZD315	A33	0124
XZD315	A34	0129
XZD315	A36	0007
XZD315	B 1	0148
XZD315	B 2	0022
XZD315	B 4	0153
XZD315	B 6	0004
XZD315	B 7	0227
XZD315	B 9	0228
XZD315	B10	0228
XZD315	B11	0020
XZD315	B16	0006
XZD315	B18	0007
XZD315	B20	0008
XZD315	B22	0227
XZD315	B27	0123
XZD315	B30	0120
XZD317	9	0122
XZD317	11	0229

COMPONENT	PIN	NET
XZD317	14	0145
XZD317	16	0006
XZD317	18	0007
XZD317	20	0008
XZD317	22	0055
XZD317	24	0146
XZD317	26	0230
XZD317	32	0053
XZD317	34	0231
XZD318	1	0214
XZD318	2	0147
XZD318	3	0219
XZD318	4	0218
XZD318	5	0222
XZD318	6	0121
XZD318	9	0119
XZD318	14	0006
XZD503	A 3	0257
XZD503	A11	0156
XZD503	A12	0258
XZD503	A13	0189
XZD503	A14	0259
XZD503	A16	0163
XZD503	A18	0165
XZD503	A20	0166
XZD503	A22	0172
XZD503	A23	0259
XZD503	A24	0185
XZD503	A25	0170
XZD503	A26	0260
XZD503	A27	0189
XZD503	A29	0160
XZD503	A30	0158
XZD503	A32	0260
XZD503	A35	0182
XZD503	A36	0164
XZD503	B 4	0189
XZD503	B 9	0257
XZD503	B10	0258
XZD503	B11	0257
XZD503	B12	0156
XZD503	B13	0172
XZD503	B14	0154
XZD503	B16	0163
XZD503	B18	0165
XZD503	B20	0166
XZD503	B22	0154
XZD503	B23	0259
XZD503	B24	0170
XZD503	B25	0260
XZD503	B26	0185
XZD503	B30	0191
XZD503	B32	0191

COMPONENT	PIN	NET
XZD503	B33	0261
XZD503	B34	0182
XZD503	B35	0261
XZD503	B36	0164
XZD505	A 1	0200
XZD505	A 2	0262
XZD505	A 8	0196
XZD505	A10	0181
XZD505	A11	0253
XZD505	A12	0187
XZD505	A16	0153
XZD505	A18	0165
XZD505	A20	0166
XZD505	A22	0173
XZD505	A23	0187
XZD505	A24	0157
XZD505	A25	0200
XZD505	A28	0264
XZD505	A35	0265
XZD505	A36	0266
XZD505	B 1	0200
XZD505	B 2	0181
XZD505	B 3	0267
XZD505	B 6	0175
XZD505	B 9	0268
XZD505	B10	0269
XZD505	B11	0268
XZD505	B12	0267
XZD505	B13	0173
XZD505	B14	0270
XZD505	B16	0163
XZD505	B18	0165
XZD505	B20	0166
XZD505	B22	0196
XZD505	B23	0187
XZD505	B24	0200
XZD505	B25	0271
XZD505	B26	0265
XZD505	B28	0272
XZD505	B33	0157
XZD505	B34	0271
XZD505	B35	0157
XZD505	B36	0253
XZD507	A 1	0191
XZD507	A 2	0273
XZD507	A 5	0274
XZD507	A 7	0275
XZD507	A 9	0162
XZD507	A10	0276
XZD507	A11	0190
XZD507	A13	0275
XZD507	A14	0277
XZD507	A16	0153



TITLE <b>MODULE D WIRING OF RECEIVER SET VS234 AND VS 269</b>				
WIRING DIAGRAM	ISSUE	USED ON	DATE	PAGE
7732WD	21	310903	1-29-70 <del>02/10/66</del>	7X OF 9X/29

COMPONENT	PIN	NET
XZD507	A17	0278
XZD507	A18	0165
XZD507	A20	0166
XZD507	A21	0279
XZD507	A23	0280
XZD507	A24	0281
XZD507	A26	0266
XZD507	A27	0282
XZD507	A28	0283
XZD507	A31	0281
XZD507	A32	0284
XZD507	A34	0285
XZD507	A35	0181
XZD507	A36	0269
XZD507	B 4	0209
XZD507	B 6	0285
XZD507	B 9	0264
XZD507	B10	0286
XZD507	B12	0167
XZD507	B16	0163
XZD507	B17	0264
XZD507	B18	0165
XZD507	B20	0166
XZD507	B21	0266
XZD507	B23	0206
XZD507	B27	0262
XZD507	B28	0287
XZD507	B30	0266
XZD507	B34	0288
XZD509	A11	0200
XZD509	A12	0286
XZD509	A13	0285
XZD509	A14	0275
XZD509	A16	0163
XZD509	A18	0165
XZD509	A20	0166
XZD509	A22	0200
XZD509	A23	0279
XZD509	A24	0276
XZD509	A25	0200
XZD509	A26	0281
XZD509	A27	0285
XZD509	A32	0284
XZD509	A33	0281
XZD509	A34	0275
XZD509	A35	0289
XZD509	A36	0200
XZD509	B 9	0290
XZD509	B10	0291
XZD509	B11	0287
XZD509	B12	0200
XZD509	B13	0200
XZD509	B14	0282

COMPONENT	PIN	NET
XZD509	B16	0163
XZD509	B18	0165
XZD509	B20	0166
XZD509	B22	0273
XZD509	B23	0288
XZD509	B24	0200
XZD509	B25	0278
XZD509	B26	0280
XZD509	B33	0277
XZD509	B34	0274
XZD509	B35	0292
XZD509	B36	0200
XZD511	A11	0191
XZD511	A12	0290
XZD511	A16	0163
XZD511	A18	0165
XZD511	A20	0166
XZD511	A22	0191
XZD511	A23	0293
XZD511	A24	0284
XZD511	A25	0191
XZD511	A32	0294
XZD511	A35	0277
XZD511	A36	0191
XZD511	B 9	0295
XZD511	B10	0296
XZD511	B11	0291
XZD511	B12	0191
XZD511	B13	0191
XZD511	B14	0279
XZD511	B16	0163
XZD511	B18	0165
XZD511	B20	0166
XZD511	B22	0297
XZD511	B23	0273
XZD511	B24	0191
XZD511	B25	0280
XZD511	B26	0298
XZD511	B33	0299
XZD511	B34	0300
XZD511	B35	0274
XZD511	B36	0191
XZD513	A 1	0200
XZD513	A 2	0301
XZD513	A10	0302
XZD513	A11	0200
XZD513	A12	0303
XZD513	A16	0163
XZD513	A18	0165
XZD513	A20	0166
XZD513	A22	0200
XZD513	A23	0304
XZD513	A24	0305

COMPONENT	PIN	NET
XZD513	A25	0200
XZD513	A32	0303
XZD513	A35	0290
XZD513	A36	0200
XZD513	B 1	0200
XZD513	B 2	0306
XZD513	B 3	0307
XZD513	B 9	0301
XZD513	B10	0306
XZD513	B11	0308
XZD513	B12	0200
XZD513	B13	0200
XZD513	B14	0302
XZD513	B16	0163
XZD513	B18	0165
XZD513	B20	0166
XZD513	B22	0309
XZD513	B23	0307
XZD513	B24	0200
XZD513	B25	0310
XZD513	B26	0308
XZD513	B33	0305
XZD513	B34	0310
XZD513	B35	0291
XZD513	B36	0200
XZD515	A 1	0191
XZD515	A 2	0302
XZD515	A 3	0311
XZD515	A10	0312
XZD515	A11	0191
XZD515	A12	0301
XZD515	A13	0313
XZD515	A14	0311
XZD515	A16	0163
XZD515	A18	0165
XZD515	A20	0166
XZD515	A22	0314
XZD515	A24	0303
XZD515	A25	0191
XZD515	A32	0315
XZD515	A35	0305
XZD515	A36	0191
XZD515	B 1	0191
XZD515	B 2	0307
XZD515	B 3	0316
XZD515	B 4	0317
XZD515	B 9	0318
XZD515	B10	0319
XZD515	B11	0306
XZD515	B12	0191
XZD515	B13	0320
XZD515	B14	0163
XZD515	B16	0163



TITLE <b>MODULE D WIRING OF RECEIVER SET VS234 AND VS269</b>				
WIRING DIAGRAM <b>7732WD</b>	ISSUE <b>2-1</b>	USED ON <b>310403</b>	DATE <b>1-29-78</b> <del>02/10/66</del>	PAGE <b>8X OF 91/29</b>

COMPONENT	PIN	NET
XZD515	B18	0165
XZD515	B20	0166
XZD515	B22	0188
XZD515	B23	0321
XZD515	B24	0191
XZD515	B25	0308
XZD515	B26	0322
XZD515	B33	0323
XZD515	B34	0324
XZD515	B35	0310
XZD515	B36	0191
XZD517	1	0299
XZD517	2	0325
XZD517	3	0300
XZD517	5	0294
XZD517	6	0326
XZD517	7	0298
XZD517	8	0293
XZD517	9	0327
XZD517	10	0297
XZD517	11	0295
XZD517	12	0328
XZD517	13	0294
XZD517	16	0163
XZD517	18	0165
XZD517	20	0166
XZD517	22	0323
XZD517	23	0329
XZD517	24	0324
XZD517	25	0315
XZD517	26	0330
XZD517	27	0322
XZD517	28	0318
XZD517	29	0313
XZD517	30	0319
XZD517	31	0312
XZD517	32	0317
XZD517	33	0316
XZD517	34	0304
XZD517	35	0331
XZD517	36	0309
XZD518	A 2	0317
XZD518	A 5	0328
XZD518	A 9	0254
XZD518	A10	0245
XZD518	A11	0332
XZD518	A12	0333
XZD518	A13	0329
XZD518	A16	0163
XZD518	A17	0239
XZD518	A18	0165
XZD518	A19	0334
XZD518	A20	0166

COMPONENT	PIN	NET
XZD518	A21	0158
XZD518	A22	0335
XZD518	A23	0330
XZD518	A26	0249
XZD518	A27	0234
XZD518	A28	0336
XZD518	A29	0335
XZD518	A31	0313
XZD518	A34	0331
XZD518	A35	0327
XZD518	A36	0285
XZD518	B 3	0333
XZD518	B 9	0244
XZD518	B10	0248
XZD518	B12	0275
XZD518	B13	0325
XZD518	B16	0163
XZD518	B18	0165
XZD518	B20	0166
XZD518	B27	0337
XZD518	B28	0338
XZD518	B30	0281
XZD518	B31	0326
XZD518	B34	0253
XZD518	B35	0334
XZD520	A 1	0285
XZD520	A 2	0339
XZD520	A 4	0263
XZD520	A 5	0340
XZD520	A 6	0329
XZD520	A 7	0328
XZD520	A 8	0311
XZD520	A 9	0263
XZD520	A10	0272
XZD520	A11	0270
XZD520	A13	0236
XZD520	A14	0314
XZD520	A16	0163
XZD520	A17	0321
XZD520	A18	0165
XZD520	A20	0166
XZD520	A21	0202
XZD520	A23	0321
XZD520	A24	0242
XZD520	A26	0340
XZD520	A27	0314
XZD520	A28	0340
XZD520	A31	0203
XZD520	A36	0338
XZD520	B 1	0244
XZD520	B 4	0201
XZD520	B 7	0330
XZD520	B 9	0340

COMPONENT	PIN	NET
XZD520	B10	0320
XZD520	B12	0187
XZD520	B13	0272
XZD520	B16	0163
XZD520	B18	0165
XZD520	B20	0166
XZD520	B22	0294
XZD520	B23	0275
XZD520	B27	0193
XZD520	B28	0238
XZD520	B30	0281
XZD520	B31	0249
XZD520	B34	0339
XZD522	4	0341
XZD522	5	0253
XZD522	13	0342
XZD522	14	0248
XZD522	16	0153
XZD522	18	0165
XZD522	20	0166
XZD522	31	0343
XZD522	32	0194
XZD523	4	0344
XZD523	5	0245
XZD523	13	0345
XZD523	14	0239
XZD523	16	0163
XZD523	18	0165
XZD523	20	0166
XZD523	31	0346
XZD523	32	0234
XZD524	4	0347
XZD524	5	0332
XZD524	13	0348
XZD524	14	0336
XZD524	16	0163
XZD524	18	0165
XZD524	20	0166
XZD524	31	0349
XZD524	32	0337
XZD525	2	0344
XZD525	3	0348
XZD525	4	0347
XZD525	5	0343
XZD525	10	0247
XZD525	11	0251
XZD525	12	0256
XZD525	13	0248
XZD525	16	0153
XZD525	18	0165
XZD525	20	0166
XZD525	23	0241
XZD525	24	0235



TITLE <b>MODULE D WIRING OF RECEIVER SET VS234 AND VS269</b>			
WIRING DIAGRAM <b>7732WD</b>	ISSUE <b>21</b>	USED ON <b>310903</b>	DATE <b>1-29-70</b> <del>02/10/60</del>
PAGE		9X OF 9X/29	

COMPONENT	PIN	NET	COMPONENT	PIN	NET	COMPONENT	PIN	NET
XZ0525	25	0255						
XZ0525	26	0250						
XZ0525	27	0246						
XZ0525	31	0345						
XZ0525	32	0346						
XZ0525	33	0341						
XZ0525	34	0342						
XZ0525	35	0349						
XZ0526	1	0165						
XZ0526	2	0166						
XZ0526	4	0205						
XZ0526	5	0207						
XZ0526	15	0163						
XZ0526	24	0252						
XZ0526	25	0252						
XZ0526	26	0195						
XZ0526	27	0252						
XZ0526	30	0186						
XZ0526	31	0252						
XZ0526	33	0243						
XZ0526	34	0233						
XZ0526	35	0237						
XZ0526	36	0197						
XZ0527	1	0165						
XZ0527	2	0165						
XZ0527	3	0163						
XZ0527	4	0163						
XZ0527	12	0166						
XZ0527	13	0166						
XZ0527	14	0163						
XZ0527	15	0163						
XZ0527	22	0165						
XZ0527	23	0165						
XZ0527	24	0163						
XZ0527	25	0163						
XZ0527	33	0166						
XZ0527	34	0166						
XZ0527	35	0163						
XZ0527	36	0163						
# OF PINS		1311						
END OF LISTING								



NETWORK LISTING (TABULAR WIRING DIAGRAM)

WDP

TITLE <b>MODULE D WIRING OF RECEIVER SET VS234 AND VS269</b>			
WIRING DIAGRAM <b>7732HD</b>	ISSUE <b>2X</b>	USED ON <b>310903</b>	DATE <b>1-29-70</b> <del>02/10/66</del>
PAGE		1 OF 16/29	

NET	COMPONENT	PIN
0001	XZD103	A 3
0001	XZD103	B 9
0001	. SD	4 A11
0001	. SD	4 A10
0001	. SD	4 A 9
0001	. SD	4 A 8
0001	. SD	4 A 7
0001	. SU	4 A 6
0001	. SD	4 A 5
0001	. SD	4 A 4
0001	XZD103	B11
0002	XZD103	B12
0002	XZD103	A11
0002	XZD313	B 9
0002	XZD313	A 4
0003	XZD103	A12
0003	XZD103	B10
0003	SD 4	A12
0003	SD 4	A 3
0003	SD 4	A 2
0003	SD 4	A 1
0004	XZD103	B 4
0004	XZD103	A13
0004	XZD103	A27
0004	XZD315	A10
0004	XZD315	B 6
0005	XZD103	A14
0005	XZD103	A23
0005	. SD	4 B11
0005	. SD	4 B10
0005	. SD	4 B 9
0005	. SD	4 B 8
0005	. SD	4 B 3
0005	. SD	4 B 2
0005	. SD	4 B 1
0005	XZD103	B23
0006	XZD103	B16
0006	XZD103	A16
0006	XZD105	A16
0006	. XZD107	A16
0006	. . XZD109	A16
0006	. . . XZD111	A16
0006	**04	XZD113 A16
0006	**05	XZD115 A16
0006	**06	XZD117 16
0006	06	XZD118 A16
0006	**07	XZD120 A16

NET	COMPONENT	PIN
0006	**08	XZD122 16
0006	08	XZD123 16
0006	08	XZD124 16
0006	08	XZD125 16
0006	08	XZD126 15
0006	**09	XZD127 3
0006	09	XZD127 4
0006	09	XZD127 14
0006	09	XZD127 15
0006	09	XZD127 24
0006	09	XZD127 25
0006	09	XZD127 35
0006	09	XZD127 36
0006	08	J0328 B 2
0006	07	XZD120 B16
0006	06	XZD118 B16
0006	05	XZD115 B16
0006	05	XZD115 B14
0006	04	XZD113 B16
0006	04	XZD313 B16
0006	04	XZD313 A16
0006	**05	SD 3 2
0006	05	SD 2 A 0
0006	05	SD 1 2
0006	04	XZD315 A16
0006	**06	XZD315 B16
0006	**05	XZD317 16
0006	05	XZD318 14
0006	04	XZD315 A23
0006	. . . XZD111	B16
0006	. . XZD109	B16
0006	. XZD107	B16
0006	XZD105	B16
0007	XZD103	B18
0007	XZD103	A18
0007	XZD105	A18
0007	. XZD107	A18
0007	. . XZD109	A18
0007	. . . XZD111	A18
0007	**04	XZD113 A18
0007	**05	XZD115 A18
0007	**06	XZD117 18
0007	06	XZD118 A18
0007	**07	XZD120 A18
0007	**08	XZD122 18
0007	08	XZD123 18
0007	08	XZD124 18
0007	08	XZD125 18
0007	08	XZD126 1
0007	**09	XZD127 2
0007	**10	XZD127 22
0007	10	XZD127 23



TITLE <b>MODULE D WIRING OF RECEIVER SET VS234 AND VS269</b>			
WIRING DIAGRAM <b>7732WD</b>	ISSUE <b>2</b>	USED ON <b>310903</b>	DATE <b>1-29-70</b> <del>02/10/66</del>
		PAGE <b>2</b>	OF <b>16/29</b>

NET	COMPONENT	PIN
0007	09	XZD127 1
0007	08	JD328 C 1
0007	07	XZD120 B18
0007	06	XZD118 B18
0007	05	XZD115 B18
0007	04	XZD113 B18
0007	04	XZD313 B18
0007	04	XZD313 A18
0007	04	XZD315 A18
0007	**06	XZD315 B18
0007	**05	XZD317 18
0007	04	XZD315 A25
0007	04	XZD315 A36
0007	.	. XZD111 B18
0007	.	. XZD109 B18
0007	.	. XZD107 B18
0007	XZD105	B18
0008	XZD103	B20
0008	XZD103	A20
0008	XZD105	A20
0008	.	. XZD107 A20
0008	.	. XZD109 A20
0008	.	. XZD111 A20
0008	**04	XZD113 A20
0008	**05	XZD115 A20
0008	**06	XZD117 20
0008	06	XZD118 A20
0008	**07	XZD120 A20
0008	**08	XZD122 20
0008	08	XZD123 20
0008	08	XZD124 20
0008	08	XZD125 20
0008	08	XZD126 2
0008	**09	XZD127 12
0008	09	XZD127 13
0008	09	XZD127 33
0008	09	XZD127 34
0008	08	JD328 A 3
0008	07	XZD120 B20
0008	06	XZD118 B20
0008	05	XZD115 B20
0008	04	XZD113 B20
0008	04	XZD313 B20
0008	04	XZD313 A20
0008	04	XZD315 A20
0008	**05	XZD317 20
0008	04	XZD315 B20
0008	.	. XZD111 B20
0008	.	. XZD109 B20
0008	.	. XZD107 B20
0008	XZD105	B20

NET	COMPONENT	PIN
0009	XZD103	B13
0009	XZD103	A22
0009	XZD313	B29
0009	XZD313	A28
0010	XZD103	A24
0010	XZD103	B26
0010	XZD313	B30
0010	SD 4	C12
0010	SD 4	C 9
0010	SD 4	C 8
0010	SD 4	C 5
0010	SD 4	C 4
0010	SD 4	C 1
0011	XZD103	B24
0011	XZD103	A25
0011	XZD313	B21
0011	XZD313	A26
0012	XZD103	A26
0012	XZD103	B25
0012	XZD103	A32
0012	SD 4	C11
0012	SD 4	C10
0012	SD 4	C 7
0012	SD 4	C 6
0012	SD 4	C 3
0012	SD 4	C 2
0013	XZD103	A29
0013	XZD313	A 9
0013	XZD313	B12
0014	XZD118	A21
0014	XZD103	A30
0014	XZD313	A11
0014	XZD313	A 6
0014	XZD313	B 4
0015	XZD103	A35
0015	XZD103	B34
0015	XZD313	B23
0015	SD 4	D12
0015	SD 4	D10
0015	SD 4	D 8
0015	SD 4	D 6
0015	SD 4	D 4
0015	SD 4	D 2
0016	XZD103	A36
0016	XZD103	B36
0016	XZD313	B11



TITLE <b>MODULE D WIRING OF RECEIVER SET VS234 AND VS269</b>			
WIRING DIAGRAM <b>7732WD</b>	ISSUE <b>2-1</b>	USED ON <b>310903</b>	DATE <b>1-29-70</b> <del>02/10/66</del>
PAGE <b>3</b>		OF <b>16/29</b>	

NET	COMPONENT	PIN
0016	XZD313	A17
0017	XZD103	B14
0017	XZD103	B22
0017	XZD313	A 1
0017	SD 4	B12
0017	SD 4	B 7
0017	SD 4	B 6
0017	SD 4	B 5
0017	SD 4	B 4
0018	XZD107	A 1
0018	XZD103	B32
0018	XZD103	B30
0018	. XZD315	A27
0018	. . XZD315	A32
0018	. XZD315	A22
0018	XZD111	B36
0018	XZD111	A36
0018	XZD111	A22
0018	XZD111	A25
0018	XZD111	B24
0018	XZD111	B13
0018	XZD111	B12
0018	XZD111	A11
0018	XZD115	B 1
0018	XZD115	A 1
0018	XZD115	A11
0018	XZD115	B12
0018	XZD115	B24
0018	XZD115	A25
0018	XZD115	A36
0018	XZD115	B36
0019	XZD103	B35
0019	XZD103	B33
0019	SD 4	D11
0019	SD 4	D 9
0019	SD 4	D 7
0019	SD 4	D 5
0019	SD 4	D 3
0019	SD 4	D 1
0020	XZD113	B36
0020	XZD113	A36
0020	XZD113	A22
0020	XZD113	A25
0020	XZD113	B24
0020	XZD113	B13
0020	XZD113	B12
0020	XZD113	A11
0020	XZD113	A 1
0020	XZD113	B 1

NET	COMPONENT	PIN
0020	XZD109	A11
0020	XZD109	B12
0020	XZD109	B13
0020	XZD109	B24
0020	XZD109	A25
0020	XZD109	A22
0020	XZD109	A36
0020	XZD109	B36
0020	XZD105	A25
0020	XZD105	B24
0020	XZD105	B 1
0020	XZD105	A 1
0020	XZD315	B11
0021	XZD105	A 2
0021	XZD107	B27
0022	XZD105	A 8
0022	XZD105	B22
0022	XZD315	B 2
0023	XZD105	B 2
0023	XZD105	A10
0023	. XZD313	B14
0023	XZD107	A35
0024	XZD105	B36
0024	XZD105	A11
0024	XZD120	A 4
0024	XZD120	A 9
0025	XZD105	A12
0025	XZD105	A23
0025	. XZD315	A 3
0025	XZD105	B23
0025	XZD120	B12
0026	XZD105	A22
0026	XZD105	B13
0026	XZD313	A31
0026	XZD313	B17
0026	XZD313	B10
0027	XZD105	A24
0027	XZD105	B33
0027	XZD105	B35
0027	XZD313	A 5
0028	XZD105	A28
0028	XZD107	B17
0028	XZD107	B 9
0029	XZD105	A35





<b>TITLE</b> MODULE D WIRING OF RECEIVER SET VS234 AND VS249			
<b>WIRING DIAGRAM</b> 7732WD	<b>ISSUE</b> 2-1	<b>USED ON</b> 310903	<b>DATE</b> 1-29-70 <del>02-10-66</del>
		<b>PAGE</b> 4	<b>OF</b> 16/29

NET	COMPONENT	PIN
0029	XZD105	B26
0030	XZD107	A26
0030	XZD107	B21
0030	XZD107	B30
0030	XZD105	A36
0030	SD 2	C 0
0031	XZD105	B 3
0031	XZD105	B12
0032	XZD105	B 6
0032	XZD313	B27
0032	XZD313	A34
0032	XZD313	A33
0033	XZD105	B 9
0033	XZD105	B11
0034	XZD105	B10
0034	XZD107	A36
0035	XZD105	B14
0035	XZD120	A11
0036	XZD105	B25
0036	XZD105	B34
0037	XZD105	B28
0037	XZD120	A10
0037	XZD120	B13
0038	XZD107	A 2
0038	XZD109	B22
0038	XZD111	B23
0039	XZD107	A 5
0039	XZD109	B34
0039	XZD111	B35
0040	XZD120	B23
0040	XZD118	B12
0040	XZD109	A34
0040	XZD109	A14
0040	XZD107	A13
0040	XZD107	A 7
0040	SD 2	A 3
0041	XZD107	A 9
0041	XZD107	B12
0041	XZD313	A13
0042	XZD107	A10

NET	COMPONENT	PIN
0042	XZD109	A24
0042	SD 2	B 3
0043	XZD107	A11
0043	XZD315	A12
0044	XZD107	A14
0044	XZD109	B33
0044	XZD111	A35
0045	XZD107	A17
0045	XZD109	B25
0045	SD 2	C 3
0046	XZD107	A21
0046	XZD109	A23
0046	XZD111	B14
0047	XZD107	A23
0047	XZD109	B26
0047	XZD111	B25
0048	XZD120	B30
0048	XZD118	B30
0048	XZD109	A33
0048	XZD109	A26
0048	XZD107	A24
0048	XZD107	A31 <sup>d</sup>
0048	SD 2	A 2
0049	XZD107	A27
0049	XZD109	B14
0049	SD 2	B 2
0050	XZD107	A28
0050	SD 2	B 0
0051	XZD107	A32
0051	XZD109	A32
0051	XZD111	A24
0052	XZD120	A 1
0052	XZD118	A36
0052	XZD109	A13
0052	XZD109	A27
0052	XZD107	A34
0052	XZD107	B 6
0052	SD 2	A 1
0053	XZD107	B 4
0053	XZD317	32
0054	XZD107	B10



TITLE <b>MODULE G WIRING OF RECEIVER SET VS234 AND VS269</b>				
WIRING DIAGRAM <b>7732WD</b>	ISSUE <b>2 1</b>	USED ON <b>310903</b>	DATE <b>1-29-70</b> <del>02/10/66</del>	PAGE <b>5</b> OF <b>16/29</b>

NET	COMPONENT	PIN
0054	XZD109	A12
0054	SD 2	B 1
0055	XZD107	B23
0055	XZD317	22
0056	XZD107	B28
0056	XZD109	B11
0056	SD 2	C 1
0057	XZD107	B34
0057	XZD109	B23
0057	SD 2	C 2
0058	XZD109	A35
0058	SD 2	B 4
0059	XZD111	A12
0059	XZD109	B 9
0059	XZD113	A35
0060	XZD111	B11
0060	XZD109	B10
0060	XZD113	B35
0061	XZD109	B35
0061	SD 2	C 4
0062	XZD111	A23
0062	XZD117	8
0063	XZD111	A32
0063	XZD117	5
0064	XZD111	B 9
0064	XZD117	11
0065	XZD111	B10
0065	XZD117	13
0066	XZD111	B22
0066	XZD117	10
0067	XZD111	B26
0067	XZD117	7
0068	XZD111	B33
0068	XZD117	1
0069	XZD111	B34
0069	XZD117	3
0070	XZD113	A 2

NET	COMPONENT	PIN
0070	XZD113	B 9
0070	XZD115	A12
0071	XZD113	B14
0071	XZD113	A10
0071	XZD115	A 2
0072	XZD113	A12
0072	XZD113	A32
0072	XZD115	A24
0073	XZD113	A23
0073	XZD117	34
0074	XZD113	A24
0074	XZD113	B33
0074	XZD115	A35
0075	XZD113	B 2
0075	XZD113	B10
0075	XZD115	B11
0076	XZD113	B23
0076	XZD113	B 3
0076	XZD115	B 2
0077	XZD113	B11
0077	XZD113	B26
0077	XZD115	B25
0078	XZD113	B22
0078	XZD117	36
0079	XZD113	B25
0079	XZD113	B34
0079	XZD115	B35
0080	XZD115	A14
0080	XZD115	A 3
0080	XZD120	A 8
0081	XZD115	A10
0081	XZD117	31
0082	XZD115	A13
0082	XZD118	A31
0082	XZD117	29
0083	XZD115	A22
0083	XZD120	A27
0083	XZD120	A14
0084	XZD115	A32



TITLE <b>MODULE D WIRING OF RECEIVER SET VS234 AND VS269</b>				
WIRING DIAGRAM <b>7732WD</b>	ISSUE <b>2+</b>	USED ON <b>310903</b>	DATE <b>1-29-70</b> <del>02/10/66</del>	PAGE <b>6</b> OF <b>16/29</b>

NET	COMPONENT	PIN
0084	XZD117	25
0085	XZD115	B 3
0085	XZD117	33
0086	XZD115	B 4
0086	XZD118	A 2
0086	XZD117	32
0087	XZD115	B 9
0087	XZD117	28
0088	XZD115	B10
0088	XZD117	30
0089	XZD115	B13
0089	XZD120	B10
0090	XZD115	B22
0090	XZD315	A 8
0091	XZD115	B23
0091	XZD120	A23
0091	XZD120	A17
0092	XZD115	B26
0092	XZD117	27
0093	XZD115	B33
0093	XZD117	22
0094	XZD115	B34
0094	XZD117	24
0095	XZD117	2
0095	XZD118	B13
0096	XZD117	6
0096	XZD118	B31
0097	XZD117	9
0097	XZD118	A35
0098	XZD117	12
0098	XZD118	A 5
0098	XZD120	A 7
0099	XZD117	23
0099	XZD118	A13
0099	XZD120	A 6
0100	XZD117	26
0100	XZD118	A23

NET	COMPONENT	PIN
0100	XZD120	B 7
0101	XZD117	35
0101	XZD118	A34
0102	XZD118	A 9
0102	XZD120	B22
0102	JD328	E 8
0103	XZD118	A10
0103	XZD123	5
0103	JD328	C 8
0104	XZD118	A11
0104	XZD124	5
0105	XZD118	A12
0105	XZD118	B 3
0106	XZD118	A17
0106	XZD123	14
0106	JD328	B 8
0107	XZD118	A19
0107	XZD118	B35
0108	XZD118	A22
0108	XZD118	A29
0109	XZD118	A26
0109	XZD120	B31
0109	JD328	D 8
0110	XZD118	A27
0110	XZD123	32
0110	JD328	A 8
0111	XZD118	A28
0111	XZD124	14
0112	XZD118	B 9
0112	XZD120	B 1
0112	JD328	C 7
0113	XZD118	B10
0113	XZD122	14
0113	JD328	D 7
0114	XZD118	B27
0114	XZD124	32
0115	XZD118	B28
0115	XZD120	A36



NETWORK LISTING (TABULAR WIRING DIAGRAM)

TITLE <b>MODULE D WIRING OF RECEIVER SET VS234 AND VS269</b>				
WIRING DIAGRAM <b>7732WD</b>	ISSUE <b>24</b>	USED ON <b>310903</b>	DATE <b>1-29-70</b> <b>02/10/66</b>	PAGE <b>7</b> OF <b>16/29</b>

NET	COMPONENT	PIN
0116	XZD118	B34
0116	XZD122	5
0116	JD328	E 7
0117	XZD120	A 2
0117	XZD120	B34
0118	XZD120	A28
0118	XZD120	A26
0118	XZD120	A 5
0118	XZD120	B 9
0119	JD328	B 3
0119	XZD120	A13
0119	XZD318	9
0120	XZD120	A21
0120	XZD315	B30
0121	JD328	C 2
0121	XZD120	A24
0121	XZD318	6
0122	XZD120	A31
0122	XZD317	9
0123	XZD120	B 4
0123	XZD315	B27
0124	XZD120	B27
0124	XZD315	A33
0125	XZD120	B28
0125	JD328	B 7
0126	XZD122	4
0126	XZD125	33
0127	XZD122	13
0127	XZD125	34
0128	XZD122	31
0128	XZD125	5
0129	XZD122	32
0129	XZD315	A34
0130	XZD123	4
0130	XZD125	2
0131	XZD123	13
0131	XZD125	31

NET	COMPONENT	PIN
0132	XZD123	31
0132	XZD125	32
0133	XZD124	4
0133	XZD125	4
0134	XZD124	13
0134	XZD125	3
0135	XZD124	31
0135	XZD125	35
0136	XZD125	10
0136	JD328	C10
0137	XZD125	11
0137	JD328	D10
0138	XZD125	12
0138	JD328	E10
0139	XZD125	13
0139	JD328	B 9
0140	XZD125	23
0140	JD328	B10
0141	XZD125	24
0141	JD328	A10
0142	XZD125	25
0142	JD328	E 9
0143	XZD125	26
0143	JD328	D 9
0144	XZD125	27
0144	JD328	C 9
0145	XZD317	14
0145	XZD126	4
0145	JD328	C 3
0146	XZD317	24
0146	XZD126	5
0146	JD328	E 3
0147	JD328	E 1
0147	XZD126	24
0147	XZD126	25
0147	XZD126	27
0147	XZD126	31



TITLE <b>MODULE D WIRING OF RECEIVER SET VS234 AND VS269</b>				
WIRING DIAGRAM <b>7732WD</b>	ISSUE <b>27</b>	USED ON <b>310903</b>	DATE <b>1-29-70</b> <del>02/10/66</del>	PAGE <b>8</b> OF <b>16/29</b>

NET	COMPONENT	PIN
0147	XZD318	2
0148	XZD126	26
0148	XZD315	B 1
0149	XZD126	30
0149	XZD315	A 1
0150	XZD126	33
0150	JD328	C 5
0151	XZD126	34
0151	JD328	A 5
0152	XZD126	35
0152	JD328	B 5
0153	XZD126	36
0153	XZD315	B 4
0154	XZD503	B14
0154	XZD503	B22
0154	XZD303	A 1
0154	SD 8	B12
0154	SD 8	B 7
0154	SD 8	B 6
0154	SD 8	B 5
0154	SD 8	B 4
0155	XZD303	A 2
0155	XZD303	B34
0156	XZD303	A 4
0156	XZD303	B 9
0156	XZD503	A11
0156	XZD503	B12
0157	XZD303	A 5
0157	XZD505	B35
0157	XZD505	B33
0157	XZD505	A24
0158	XZD303	B 4
0158	XZD303	A 6
0158	XZD303	A11
0158	XZD503	A30
0158	XZD518	A21
0159	XZD303	A 7
0159	SD 5	3
0160	XZD303	B12
0160	XZD303	A 9

NET	COMPONENT	PIN
0160	XZD503	A29
0161	XZD303	A10
0161	XZD303	A14
0162	XZD303	A13
0162	XZD507	B12
0162	XZD507	A 9
0163	XZD305	A23
0163	XZD305	A16
0163	. . . XZD305	B16
0163	. . . XZD307	16
0163	. . . XZD308	14
0163	XZD303	A16
0163	. SD 7	2
0163	. SD 6	A 0
0163	. SD 5	2
0163	XZD303	B16
0163	XZD503	B16
0163	XZD503	A16
0163	XZD505	A16
0163	. XZD507	A16
0163	. . . XZD509	A16
0163	. . . XZD511	A16
0163	**04	XZD513 A16
0163	**05	XZD515 A16
0163	**06	XZD517 16
0163	06	XZD518 A16
0163	**07	XZD520 A16
0163	**08	XZD522 16
0163	08	XZD523 16
0163	08	XZD524 16
0163	08	XZD525 16
0163	08	XZD526 15
0163	**09	XZD527 3
0163	09	XZD527 4
0163	09	XZD527 14
0163	09	XZD527 15
0163	09	XZD527 24
0163	09	XZD527 25
0163	09	XZD527 35
0163	09	XZD527 36
0163	08	JD428 B 2
0163	07	XZD520 B16
0163	06	XZD518 B16
0163	05	XZD515 B16
0163	05	XZD515 B14
0163	04	XZD513 B16
0163	. . . XZD511	B16
0163	. . . XZD509	B16
0163	. XZD507	B16
0163	XZD505	B16



TITLE <b>MODULE D WIRING OF RECEIVER SET VS234 AND VS269</b>			
WIRING DIAGRAM <b>7732WD</b>	ISSUE <b>2+</b>	USED ON <b>310903</b>	DATE <b>1-29-70</b> <b>02/10/66</b>
PAGE 10		OF 16/29	

NET	COMPONENT	PIN
0174	JD428	A 4
0174	XZD303	A32
0174	XZD308	4
0175	XZD303	A33
0175	XZD303	A34
0175	XZD303	B27
0175	XZD505	B 6
0176	JD428	D 4
0176	XZD303	A35
0176	XZD308	3
0177	XZD303	A36
0177	XZD303	B28
0178	XZD303	B 5
0178	SD 7	3
0179	JD428	B 4
0179	XZD303	B 6
0179	XZD308	5
0180	XZD303	B13
0180	SD 7	1
0181	XZD303	B14
0181	XZD505	A10
0181	. XZD507	A35
0181	XZD505	B 2
0182	XZD503	A35
0182	XZD503	B34
0182	XZD303	B23
0182	SD 8	D12
0182	SD 8	D10
0182	SD 8	D 8
0182	SD 8	D 6
0182	SD 8	D 4
0182	SD 8	D 2
0183	XZD303	B24
0183	SD 8	A13
0184	XZD303	B25
0184	SD 8	B13
0185	XZD503	A24
0185	XZD503	B26
0185	XZD303	B30
0185	SD 8	C12
0185	SD 8	C 9

NET	COMPONENT	PIN
0185	SD 8	C 8
0185	SD 8	C 5
0185	SD 8	C 4
0185	SD 8	C 1
0186	XZD305	A 1
0186	XZD526	30
0187	XZD305	A 3
0187	XZD505	A23
0187	. XZD505	B23
0187	. XZD520	B12
0187	XZD505	A12
0188	XZD305	A 8
0188	XZD515	B22
0189	XZD305	B 6
0189	XZD305	A10
0189	XZD503	A27
0189	XZD503	A13
0189	XZD503	B 4
0190	XZD305	A12
0190	XZD507	A11
0191	XZD305	A22
0191	XZD305	A27
0191	. XZD503	B30
0191	. XZD503	B32
0191	. XZD511	B36
0191	. XZD511	A36
0191	. XZD511	A22
0191	. XZD511	A25
0191	. XZD511	B24
0191	. XZD511	B13
0191	. XZD511	B12
0191	. XZD511	A11
0191	. XZD515	B 1
0191	. XZD515	A 1
0191	. XZD515	A11
0191	. XZD515	B12
0191	. XZD515	B24
0191	. XZD515	A25
0191	. XZD515	A36
0191	. XZD515	B36
0191	XZD305	A32
0191	XZD507	A 1
0192	XZD305	A29
0192	XZD305	A30
0193	XZD305	A33



TITLE			
MODULE D WIRING OF RECEIVER SET VS234 AND VS269			
WIRING DIAGRAM	ISSUE	USED ON	DATE
7732WD	21	310903	1-29-70 <del>02/10/69</del>
		PAGE	11 OF 16/29

NET	COMPONENT	PIN
0193	XZD520	B27
0194	XZD305	A34
0194	XZD522	32
0195	XZD305	B 1
0195	XZD526	26
0196	XZD305	B 2
0196	XZD505	B22
0196	XZD505	A 8
0197	XZD305	B 4
0197	XZD526	36
0198	XZD305	B 7
0198	XZD305	B22
0199	XZD305	B 9
0199	XZD305	B10
0200	XZD305	B11
0200	XZD505	A 1
0200	XZD505	B 1
0200	XZD505	B24
0200	XZD505	A25
0200	XZD509	B36
0200	XZD509	A36
0200	XZD509	A22
0200	XZD509	A25
0200	XZD509	B24
0200	XZD509	B13
0200	XZD509	B12
0200	XZD509	A11
0200	XZD513	B 1
0200	XZD513	A 1
0200	XZD513	A11
0200	XZD513	B12
0200	XZD513	B13
0200	XZD513	B24
0200	XZD513	A25
0200	XZD513	A22
0200	XZD513	A36
0200	XZD513	B36
0201	XZD305	B27
0201	XZD520	B 4
0202	XZD305	B30
0202	XZD520	A21
0203	XZD307	9
0203	XZD520	A31

NET	COMPONENT	PIN
0204	XZD307	11
0204	JD428	E 5
0205	XZD307	14
0205	XZD526	4
0205	JD428	C 3
0206	XZD307	22
0206	XZD507	B23
0207	XZD307	24
0207	XZD526	5
0207	JD428	E 3
0208	XZD307	26
0208	JD428	E 6
0209	XZD307	32
0209	XZD507	B 4
0210	XZD307	34
0210	JD428	D 6
0211	XZD313	A 2
0211	XZD313	B34
0212	XZD313	A 7
0212	SD 1	3
0213	XZD313	A10
0213	XZD313	A14
0214	JD328	C 4
0214	XZD313	A21
0214	XZD318	1
0215	XZD313	A23
0215	SD 4	D13
0216	XZD313	A24
0216	SD 4	C13
0217	XZD313	A27
0217	XZD315	A28
0218	JD328	A 4
0218	XZD313	A32
0218	XZD318	4
0219	JD328	D 4
0219	XZD313	A35
0219	XZD318	3



TITLE <b>MODULE D WIRING OF RECEIVER SET VS234 AND VS269</b>			
WIRING DIAGRAM <b>7732WD</b>	ISSUE <b>2</b>	USED ON <b>310903</b>	DATE <b>1-29-70</b> <del>02/10/66</del>
		PAGE	<b>12</b> OF <b>16/29</b>

NET	COMPONENT	PIN
0220	XZD313	A36
0220	XZD313	B28
0221	XZD313	B 5
0221	SD 3	3
0222	JD328	B 4
0222	XZD313	B 6
0222	XZD318	5
0223	XZD313	B13
0223	SD 3	1
0224	XZD313	B24
0224	SD 4	A13
0225	XZD313	B25
0225	SD 4	B13
0226	XZD315	A29
0226	XZD315	A30
0227	XZD315	B 7
0227	XZD315	B22
0228	XZD315	B 9
0228	XZD315	B10
0229	XZD317	11
0229	JD328	E 5
0230	XZD317	26
0230	JD328	E 6
0231	XZD317	34
0231	JD328	D 6
0232	JD328	D 2
0232	FRAME	
0232	JD428	D 2
0233	JD428	A 5
0233	XZD526	34
0234	JD428	A 8
0234	XZD523	32
0234	XZD518	A27
0235	JD428	A10
0235	XZD525	24
0236	JD428	B, 3

NET	COMPONENT	PIN
0236	XZD520	A13
0236	XZD308	9
0237	JD428	B 5
0237	XZD526	35
0238	JD428	B 7
0238	XZD520	B28
0239	JD428	B 8
0239	XZD523	14
0239	XZD518	A17
0240	JD428	B 9
0240	XZD525	13
0241	JD428	B10
0241	XZD525	23
0242	JD428	C 2
0242	XZD520	A24
0242	XZD308	6
0243	JD428	C 5
0243	XZD526	33
0244	JD428	C 7
0244	XZD520	B 1
0244	XZD518	B 9
0245	JD428	C 8
0245	XZD523	5
0245	XZD518	A10
0246	JD428	C 9
0246	XZD525	27
0247	JD428	C10
0247	XZD525	10
0248	JD428	D 7
0248	XZD522	14
0248	XZD518	B10
0249	JD428	D 8
0249	XZD520	B31
0249	XZD518	A26
0250	JD428	D 9
0250	XZD525	26
0251	JD428	D10
0251	XZD525	11





TITLE <b>MODULE D WIRING OF RECEIVER SET VS234 AND VS269</b>			
WIRING DIAGRAM <b>7732WD</b>	ISSUE <b>2</b>	USED ON <b>310903</b>	DATE <b>1-29-70</b> <del>02/10/66</del>
		PAGE <b>13</b>	OF <b>16/29</b>

NET	COMPONENT	PIN
0252	JD428	E 1
0252	XZD526	24
0252	XZD526	25
0252	XZD526	27
0252	XZD526	31
0252	XZD308	2
0253	JD428	E 7
0253	XZD522	5
0253	XZD518	B34
0254	JD428	E 8
0254	XZD520	B22
0254	XZD518	A 9
0255	JD428	E 9
0255	XZD525	25
0256	JD428	E10
0256	XZD525	12
0257	XZD503	A 3
0257	XZD503	B 9
0257	. SD 8	A11
0257	. SD 8	A10
0257	. SD 8	A 9
0257	. SD 8	A 8
0257	. SD 8	A 7
0257	. SD 8	A 6
0257	. SD 8	A 5
0257	. SD 8	A 4
0257	XZD503	B11
0258	XZD503	A12
0258	XZD503	B10
0258	SD 8	A12
0258	SD 8	A 3
0258	SD 8	A 2
0258	SD 8	A 1
0259	XZD503	A14
0259	XZD503	A23
0259	. SD 8	B11
0259	. SD 8	B10
0259	. SD 8	B 9
0259	. SD 8	B 8
0259	. SD 8	B 3
0259	. SD 8	B 2
0259	. SD 8	B 1
0259	XZD503	B23
0260	XZD503	A26

NET	COMPONENT	PIN
0260	XZD503	B25
0260	XZD503	A32
0260	SD 8	C11
0260	SD 8	C10
0260	SD 8	C 7
0260	SD 8	C 6
0260	SD 8	C 3
0260	SD 8	C 2
0261	XZD503	B35
0261	XZD503	B33
0261	SD 8	D11
0261	SD 8	D 9
0261	SD 8	D 7
0261	SD 8	D 5
0261	SD 8	D 3
0261	SD 8	D 1
0262	XZD505	A 2
0262	XZD507	B27
0263	XZD505	B36
0263	XZD505	A11
0263	XZD520	A 4
0263	XZD520	A 9
0264	XZD505	A28
0264	XZD507	B17
0264	XZD507	B 9
0265	XZD505	A35
0265	XZD505	B26
0266	XZD507	A26
0266	XZD507	B21
0266	XZD507	B30
0266	XZD505	A36
0266	SD 6	C 0
0267	XZD505	B 3
0267	XZD505	B12
0268	XZD505	B 9
0268	XZD505	B11
0269	XZD505	B10
0269	XZD507	A36
0270	XZD505	B14
0270	XZD520	A11
0271	XZD505	B25
0271	XZD505	B34



<b>TITLE</b> MODULE D WIRING OF RECEIVER SET VS234 AND VS 269			
<b>WIRING DIAGRAM</b> 7732WD	<b>ISSUE</b> 21	<b>USED ON</b> 310903	<b>DATE</b> 1-29-70 <del>02-10-70</del>
			<b>PAGE</b> 14 OF 16/29

NET	COMPONENT	PIN
0272	XZ0505	B28
0272	XZ0520	A10
0272	XZ0520	B13
0273	XZ0507	A 2
0273	XZ0509	B22
0273	XZ0511	B23
0274	XZ0507	A 5
0274	XZ0509	B34
0274	XZ0511	B35
0275	XZ0520	B23
0275	XZ0518	B12
0275	XZ0509	A34
0275	XZ0509	A14
0275	XZ0507	A13
0275	XZ0507	A 7
0275	SD 6	A 3
0276	XZ0507	A10
0276	XZ0509	A24
0276	SD 6	B 3
0277	XZ0507	A14
0277	XZ0509	B33
0277	XZ0511	A35
0278	XZ0507	A17
0278	XZ0509	B25
0278	SD 6	C 3
0279	XZ0507	A21
0279	XZ0509	A23
0279	XZ0511	B14
0280	XZ0507	A23
0280	XZ0509	B26
0280	XZ0511	B25
0281	XZ0520	B30
0281	XZ0518	B30
0281	XZ0509	A33
0281	XZ0509	A26
0281	XZ0507	A24
0281	XZ0507	A31
0281	SD 6	A 2
0282	XZ0507	A27
0282	XZ0509	B14
0282	SD 6	B 2

NET	COMPONENT	PIN
0283	XZ0507	A28
0283	SD 6	B 0
0284	XZ0507	A32
0284	XZ0509	A32
0284	XZ0511	A24
0285	XZ0520	A 1
0285	XZ0518	A36
0285	XZ0509	A13
0285	XZ0509	A27
0285	XZ0507	A34
0285	XZ0507	B 6
0285	SD 6	A 1
0286	XZ0507	B10
0286	XZ0509	A12
0286	SD 6	B 1
0287	XZ0507	B28
0287	XZ0509	B11
0287	SD 6	C 1
0288	XZ0507	B34
0288	XZ0509	B23
0288	SD 6	C 2
0289	XZ0509	A35
0289	SD 6	B 4
0290	XZ0511	A12
0290	XZ0509	B 9
0290	XZ0513	A35
0291	XZ0511	B11
0291	XZ0509	B10
0291	XZ0513	B35
0292	XZ0509	B35
0292	SD 6	C 4
0293	XZ0511	A23
0293	XZ0517	8
0294	XZ0511	A32
0294	XZ0517	5
0295	XZ0511	B 9
0295	XZ0517	11
0296	XZ0511	B10
0296	XZ0517	13



TITLE <b>MODULE D WIRING OF RECEIVER SET VS236 AND VS 269</b>				
WIRING DIAGRAM <b>7732WD</b>	ISSUE <b>2+</b>	USED ON <b>310903</b>	DATE <b>1-29-70</b> <del>02-10-66</del>	PAGE <b>15</b> OF <b>16/29</b>

NET	COMPONENT	PIN
0297	XZ0511	022
0297	XZ0517	10
0298	XZ0511	026
0298	XZ0517	7
0299	XZ0511	033
0299	XZ0517	1
0300	XZ0511	034
0300	XZ0517	3
0301	XZ0513	A 2
0301	XZ0513	B 9
0301	XZ0515	A12
0302	XZ0513	B14
0302	XZ0513	A10
0302	XZ0515	A 2
0303	XZ0513	A12
0303	XZ0513	A32
0303	XZ0515	A24
0304	XZ0513	A23
0304	XZ0517	34
0305	XZ0513	A24
0305	XZ0513	033
0305	XZ0515	A35
0306	XZ0513	0 2
0306	XZ0513	010
0306	XZ0515	011
0307	XZ0513	023
0307	XZ0513	0 3
0307	XZ0515	0 2
0308	XZ0513	011
0308	XZ0513	B26
0308	XZ0515	B25
0309	XZ0513	B22
0309	XZ0517	36
0310	XZ0513	029
0310	XZ0513	034
0310	XZ0515	035
0311	XZ0515	A14
0311	XZ0515	A 3
0311	XZ0520	A 0

NET	COMPONENT	PIN
0312	XZ0515	A10
0312	XZ0517	31
0313	XZ0515	A13
0313	XZ0518	A31
0313	XZ0517	29
0314	XZ0515	A22
0314	XZ0520	A27
0314	XZ0520	A14
0315	XZ0515	A32
0315	XZ0517	25
0316	XZ0515	B 3
0316	XZ0517	33
0317	XZ0515	B 4
0317	XZ0518	A 2
0317	XZ0517	32
0318	XZ0515	B 9
0318	XZ0517	20
0319	XZ0515	B10
0319	XZ0517	30
0320	XZ0515	B13
0320	XZ0520	B10
0321	XZ0515	B23
0321	XZ0520	A23
0321	XZ0520	A17
0322	XZ0515	B26
0322	XZ0517	27
0323	XZ0515	B33
0323	XZ0517	22
0324	XZ0515	B34
0324	XZ0517	24
0325	XZ0517	2
0325	XZ0518	B13
0326	XZ0517	0
0326	XZ0518	B31
0327	XZ0517	9
0327	XZ0518	A35



<b>TITLE</b> MODULE D WIRING OF RECEIVER SET VS234 AND VS269			
<b>WIRING DIAGRAM</b> 7732ND	<b>ISSUE</b> 2 1	<b>USED ON</b> 310903	<b>DATE</b> 1-29-70 <del>02-10-66</del>
		<b>PAGE</b> 16	<b>OF</b> 16/29

NET	COMPONENT	PIN
0328	XZ0517	12
0328	XZ0518	A 5
0328	XZ0520	A 7
0329	XZ0517	23
0329	XZ0518	A13
0329	XZ0520	A 6
0330	XZ0517	26
0330	XZ0518	A23
0330	XZ0520	B 7
0331	XZ0517	35
0331	XZ0518	A34
0332	XZ0518	A11
0332	XZ0524	5
0333	XZ0518	A12
0333	XZ0518	B 3
0334	XZ0518	A19
0334	XZ0518	B35
0335	XZ0518	A22
0335	XZ0518	A29
0336	XZ0518	A28
0336	XZ0524	14
0337	XZ0518	B27
0337	XZ0524	32
0338	XZ0518	B28
0338	XZ0520	A36
0339	XZ0520	A 2
0339	XZ0520	B34
0340	XZ0520	A28
0340	XZ0520	A26
0340	XZ0520	A 5
0340	XZ0520	B 9
0341	XZ0522	4
0341	XZ0525	33
0342	XZ0522	13
0342	XZ0525	34
0343	XZ0522	31
0343	XZ0525	5

NET	COMPONENT	PIN
0344	XZ0523	4
0344	XZ0525	2
0345	XZ0523	13
0345	XZ0525	31
0346	XZ0523	31
0346	XZ0525	32
0347	XZ0524	4
0347	XZ0525	4
0348	XZ0524	13
0348	XZ0525	3
0349	XZ0524	31
0349	XZ0525	35
NUMBER OF WIRES - 962		
END OF LISTING		

# ISSUE CONTROL RECORD

7733 WD

SHEET NO.	ISSUE																			REVISIONS		
	2	3	4	5	6	7	8	9	10	11	12	13	14	15	16	17	18	19	ISSUE	DATE	AUTH.	
1C																			1	2-28-66	1684	
2C																			2	7-7-66	909	
3C	X																		3	3-15-67	9226	
4C	X	X																	4	4-4-67	9301	
1X	X	X	X																			
2X	X	X	X																			
3X	X	X	X																			
4X	X	X	X																			
1	X	X	X																			
2	X	X	X																			
3	X	X	X																			
4	X	X	X																			
5	X	X	X																			
6	X	X	X																			
7	X	X	X																			
8	X	X		SHEET 8 ELIMINATED (CO 93097)																		

ISSUE CONTROL SHEET 1 OF 1

Actual Wiring Diag  
For Receiver Cabin  
310763

**APPROVALS**

D AND R <i>AK</i>	EOP M <i>✓</i>
----------------------	-------------------

E-NUMBER  
PROG. NO. 7733WD

DATE: 11-8-65  
RD. FILE NO.  
DRAWN. M.R. G.M.  
ENCH. EJE APPR. *[Signature]*

**TELETYPE CORPORATION**

**This WD consists of three sections; the Cover Pages, the Network Listing Index pages, and the Network Listing pages. Each page is numbered to show the page, the section, the total pages in the section, and the total pages in the WD.**

**Page 3C of 4C/30 means the third page of 4 cover pages in a WD having 30 total pages.**

**Page 2X of 11X/30 is the 2nd of 11 index pages in a WD having 30 total pages.**

**Page 10 of 15/30 is the 10th of 15 network pages in a WD having 30 total pages.**

## 2. COVER PAGES

**The Cover pages contain the release information and notes pertaining to the WD.**

## 3. NETWORK LISTING - INDEX

**The Index lists pins in alpha-numerical order and is a cross reference to the number of the network in which they appear.**

## 4. NETWORK LIST

**The Network List is a list of connector pins that are connected together in a common electrical circuit. It lists the pins in from-to-to order. At branching points the first pin of the branch is indented. A second indentation indicates a branch within the first branch. Three indents indicates a third sub branch. If further sub branches are encountered, an indent number is used instead of further indenting.**

**At a branching point the branching pin is connected to the pin listed on the next line below as well as to the pin at the end of the column of dots extending below the branching pin. If no pins are listed directly below or to the right, the branch ends. There is no direct connection between a pin and one listed below and in a column to its left.**

**The asterisk in front of the indent number identifies the first pin of a new sub branch.**

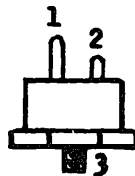
SAMPLE NETWORK (Arrows Shoe Connections)

<u>Net</u>	<u>Component</u>	<u>Pin</u>		
0143	JD 4	G 6		
0143	XZD314	21		
0143	XZD313	20		
0143	·	·	XZD313	6
0143	·	·	XZD312	6
0143	·	·	XZD311	6
0143	·	·	XZD313	23
0143	·	·	XZD313	25
0143	·	·	XZD313	31
0143	·	·	XZD313	33
0143	·	·	XZD312	33
0143	·	·	XZD312	31
0143	·	·	XZD311	31
0143	·	·	XZD312	25
0143	·	·	XZD311	25
0143	·	·	XZD312	23
0143	·	·	XZD311	23
0143	XZD312	20		
0143	XZD311	20		
0144	JD 4	G 7		
0144	XZD308	18		
0144	XZD309	18		
0144	XZD310	18		
0144	·	·	XZD310	28
0144	·	·	XZD313	8
0144	·	·	XZD314	31
0144	·	·	XZD319	29
0144	·	·	XZD328	31
0144	·	·	XZD309	28
0144	·	·	XZD308	28
0144	XZD310	4		
0144	XZD309	4		

- NOTE
1. Wire is part of 310840 cable assembly and must be connected to the indicated "From" terminal.
  2. Wire is 31044RM lamp cord with length given in feet. It must be connected between the indicated "From" and "To" terminals.
  3. Wire is part of 310838 cable assembly and must be connected to the indicated "From" and "To" terminals.
  4. Wire is part of 310841 cable assembly and must be connected to the indicated "From" terminal.
  5. Wire is part of 310841 cable assembly and must be connected to the indicated "To" terminal.
  6. Wire is part of 310841 cable assembly and must be connected to the indicated "From" and "To" terminals.
  7. Wire is part of 310841 cable assembly and are connected between terminals of indicated connectors.
  8. Wire is 193479 strap and must be connected to the indicated "From" and "To" terminals.
  9. Wire is 31883RM green 18 AWG and must be connected to the indicated "From" and "To" terminals.
  10. Wire is 31880RM with length given in inches and must be connected to the indicated "From" and "To" terminals.
  11. Components are four (4) 137438 resistors and designated as R1 to R4. Connections must be made to the indicated "From" and "To" terminals.

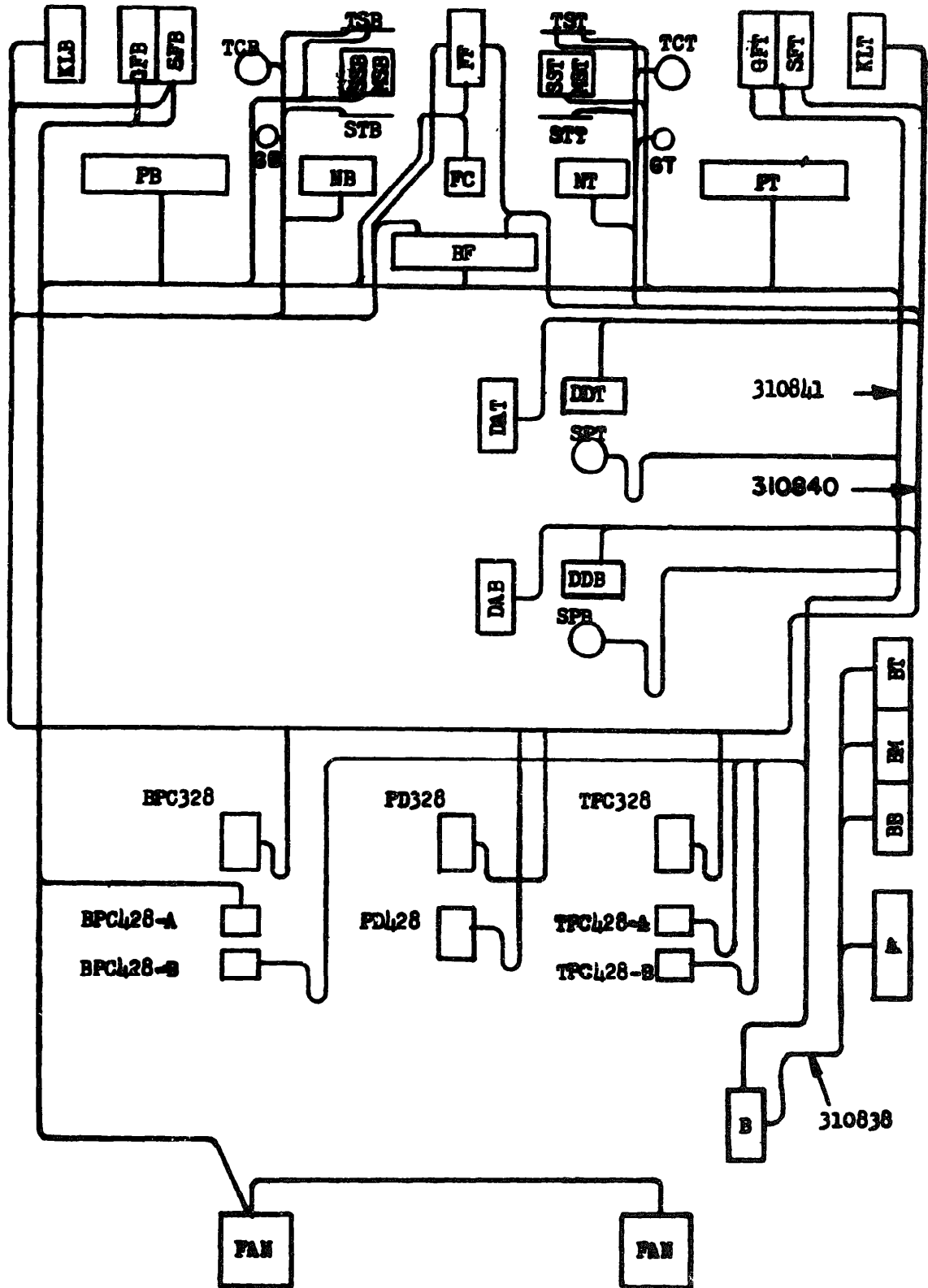


13. B1 Directional Switch



14. Refer to 7730WD for schematic wiring diagram.







TITLE CABINET WIRING OF RECEIVER SET VS234				
WIRING DIAGRAM 7733WD	ISSUE 4	USED ON 310763	DATE 04/06/67	PAGE 1X OF

COMPONENT	PIN	NET
A	1	0013
A	2	0054
A	3	0014
A	4	0055
A	5	0026
A	6	0056
B	1	0024
B	2	0013
B	3	0005
B	4	0014
B	5	0025
B	6	0026
B	FR	0012
B B	LOA	0056
B B	LOA	0025
B F	1	0014
B F	2	0014
B F	3	0023
B F	4	0023
B M	LOA	0055
B M	LOA	0005
B T	LOA	0054
B T	LOA	0024
BPC328	A 1	0167
BPC328	A 2	0167
BPC328	A 3	0165
BPC328	A 4	0205
BPC328	A 6	0096
BPC328	A 7	0201
BPC328	A 8	0142
BPC328	A 9	0134
BPC328	A 10	0138
BPC328	H 1	0185
BPC328	B 2	0166
BPC328	B 4	0206
BPC328	B 6	0096
BPC328	B 7	0204
BPC328	B 8	0151
BPC328	B 9	0143
BPC328	B 10	0147
BPC328	C 1	0192
BPC328	C 3	0186
BPC328	C 4	0207
BPC328	C 6	0100
BPC328	C 7	0190
BPC328	C 8	0196
BPC328	C 9	0139
BPC328	C 10	0139
BPC328	D 1	0198
BPC328	D 2	0104
BPC328	D 4	0208
BPC328	D 6	0102
BPC328	D 7	0086

COMPONENT	PIN	NET
BPC328	D 8	0200
BPC328	D 9	0144
BPC328	D 10	0144
BPC328	E 1	0202
BPC328	E 2	0110
BPC328	E 5	0159
BPC328	E 7	0088
BPC328	E 8	0203
BPC328	E 9	0136
BPC328	E 10	0140
BPC328	F 1	0113
BPC328	F 2	0209
BPC328	F 3	0210
BPC328	F 4	0160
BPC328	F 5	0211
BPC328	F 7	0090
BPC328	F 8	0194
BPC328	F 9	0145
BPC328	F 10	0149
BPC328	G 1	0114
BPC328	G 3	0212
BPC328	G 4	0164
BPC328	G 5	0213
BPC328	G 7	0092
BPC328	G 8	0191
BPC328	G 9	0137
BPC328	G 10	0141
BPC328	H 1	0115
BPC328	H 2	0214
BPC328	H 3	0215
BPC328	H 4	0216
BPC328	H 5	0161
BPC328	H 7	0094
BPC328	H 8	0197
BPC328	H 9	0146
BPC328	H 10	0150
BPC428	A 1	0018
BPC428	A 2	0027
BPC428	A 3	0026
BPC428	B 1	0005
BPC428	B 2	0012
BPC428	B 3	0014
DA B	4	0159
DA B	10	0160
DA B	11	0161
DA B	12	0162
DA B	13	0163
DA B	14	0164
DA B	15	0165
DA B	16	0166
DA B	17	0167
DA B	18	0168
DA T	4	0152

COMPONENT	PIN	NET
DA T	10	0153
DA T	11	0154
DA T	12	0029
DA T	13	0030
DA T	14	0155
DA T	15	0156
DA T	16	0053
DA T	17	0157
DA T	18	0158
DD B	1	0134
DD B	2	0135
DD B	3	0136
DD B	4	0137
DD B	5	0138
DD B	6	0139
DD B	7	0140
DD B	8	0141
DD B	9	0142
DD B	13	0143
DD B	14	0144
DD B	15	0145
DD B	16	0146
DD B	17	0147
DD B	18	0148
DD B	19	0149
DD B	20	0150
DD B	21	0151
DD T	1	0116
DD T	2	0117
DD T	3	0118
DD T	4	0119
DD T	5	0120
DD T	6	0121
DD T	7	0122
DD T	8	0123
DD T	9	0124
DD T	13	0125
DD T	14	0126
DD T	15	0127
DD T	16	0128
DD T	17	0129
DD T	18	0130
DD T	19	0131
DD T	20	0132
DD T	21	0133
FAN	1	0014
FAN	1	0023
FAN	2	0014
FAN	2	0023
FC	1	0014
FC	2	0023
FF	LIN	0005
FF	LOA	0006



TITLE <b>CABINET WIRING OF RECEIVER SET VS234</b>			
WIRING DIAGRAM <b>7733WD</b>	ISSUE <b>4</b>	USED ON <b>310763</b>	DATE <b>04/06/67</b>
PAGE		2X OF	

COMPONENT	PIN	NET
G B	1	0166
G I	1	0053
GF B	LIN	0003
GF H	LOA	0004
GF T	LIN	0001
GF T	LOA	0002
INNER	FR	0012
KL B	1	0202
KL B	3	0167
KL B	4	0163
KL B	5	0214
KL B	7	0210
KL B	8	0212
KL B	9	0215
KL B	10	0189
KL B	11	0183
KL B	12	0187
KL B	13	0188
KL B	14	0194
KL B	15	0195
KL B	16	0213
KL B	17	0211
KL B	18	0209
KL B	19	0195
KL B	20	0027
KL B	22	0007
KL B	24	0205
KL B	25	0206
KL B	26	0208
KL B	27	0208
KL B	28	0216
KL B	29	0142
KL B	30	0019
KL B	31	0193
KL B	32	0004
KL B	33	0017
KL B	34	0104
KL B	35	0166
KL B	36	0028
KL T	3	0029
KL T	4	0030
KL T	5	0031
KL T	7	0032
KL T	6	0033
KL T	13	0038
KL T	14	0039
KL T	15	0040
KL T	16	0041
KL T	17	0042

COMPONENT	PIN	NET
KL T	18	0043
KL T	19	0044
KL T	20	0023
KL T	22	0006
KL T	24	0045
KL T	25	0046
KL T	26	0047
KL T	27	0048
KL T	28	0049
KL T	29	0050
KL T	30	0016
KL T	31	0051
KL T	32	0002
KL T	33	0015
KL T	34	0052
KL T	36	0053
MS B	1	0018
MS B	2	0020
MS B	3	0003
MS T	1	0011
MS T	2	0217
MS T	3	0001
N B	1	0086
N B	2	0087
N B	3	0088
N B	4	0089
N B	5	0090
N B	6	0091
N B	7	0092
N B	8	0093
N B	9	0094
N B	10	0095
N B	11	0096
N B	12	0097
N B	13	0098
N B	14	0099
N B	15	0100
N B	16	0101
N B	17	0102
N B	18	0103
N B	19	0104
N B	20	0105
N B	21	0106
N B	22	0107
N B	23	0108
N B	30	0112
N B	32	0113
N B	34	0114
N B	36	0115
N T	1	0057

COMPONENT	PIN	NET
N T	2	0058
N T	3	0059
N T	4	0060
N T	5	0061
N T	6	0062
N T	7	0063
N T	8	0064
N T	9	0065
N T	10	0066
N T	11	0067
N T	12	0068
N T	13	0069
N T	14	0070
N T	15	0071
N T	16	0072
N T	17	0073
N T	18	0074
N T	19	0052
N T	20	0075
N T	21	0076
N T	22	0077
N T	23	0078
N T	26	0079
N T	27	0080
N T	28	0081
N T	30	0082
N T	32	0083
N T	34	0084
N T	36	0085
OUTER	FR	0012
P B	1	0010
P B	2	0025
P B	3	0003
P B	4	0026
P B	6	0018
P B	FR	0027
P T	1	0008
P T	2	0024
P T	3	0051
P T	4	0013
P T	6	0011
P T	FR	0012
PD328	A 1	0076
PD328	A 2	0078
PD328	A 3	0154
PD328	A 4	0057
PD328	A 5	0034
PD328	A 6	0155
PD328	A10	0064
PD328	B 1	0170
PD328	B 2	0171
PD328	B 3	0050
PD328	B 4	0038



TITLE CABINET WIRING OF RECEIVER SET VS234				
WIRING DIAGRAM 7733WD	ISSUE 4	USED ON 310763	DATE 04/06/67	PAGE 3X OF

COMPONENT	PIN	NET
PD328	B 5	0035
PD328	E 7	0172
PD328	B 8	0173
PD328	F 9	0074
PD328	B10	0066
PD328	C 1	0174
PD328	C 2	0051
PD328	C 3	0081
PD328	C 4	0039
PD328	C 5	0044
PD328	C 7	0175
PD328	C 8	0176
PD328	C 9	0058
PD328	C10	0068
PD328	D 1	0177
PD328	D 2	0052
PD328	D 4	0040
PD328	D 6	0075
PD328	L 7	0178
PD328	D 8	0179
PD328	D 9	0060
PD328	D10	0070
PD328	E 1	0028
PD328	E 3	0082
PD328	E 5	0079
PD328	E 6	0077
PD328	E 7	0180
PD328	F 8	0181
PD328	E 9	0062
PD328	E10	0072
PD428	A 1	0106
PD428	A 3	0108
PD428	A 4	0165
PD428	A 5	0182
PD428	A 8	0183
PD428	A 8	0184
PD428	A10	0093
PD428	B 1	0185
PD428	B 2	0186
PD428	B 3	0187
PD428	H 4	0188
PD428	H 5	0189
PD428	H 7	0190
PD428	H 8	0191
PD428	C 3	0111
PD428	C 4	0194
PD428	C 5	0195
PD428	C 7	0196
PD428	C 8	0197

COMPONENT	PIN	NET
PD428	C 9	0087
PD428	C10	0097
PD428	D 1	0198
PD428	D 2	0104
PD428	D 4	0199
PD428	D 6	0105
PD428	D 7	0200
PD428	D 8	0201
PD428	D 9	0089
PD428	D10	0099
PD428	E 1	0202
PD428	F 3	0112
PD428	E 5	0109
PD428	E 6	0107
PD428	E 7	0203
PD428	E 8	0204
PD428	E 9	0091
PD428	E10	0101
R 1	1	0015
R 1	2	0021
R 2	1	0016
R 2	2	0217
R 3	1	0022
R 3	2	0017
R 4	1	0020
R 4	2	0019
SF E	LIN	0009
SF B	LCA	0010
SF T	LJM	0007
SF T	LDA	0008
SP B	1	0010
SP B	2	0027
SP B	3	0026
SP T	1	0008
SP T	2	0012
SP T	3	0013
SP B	1	0009
SP B	2	0022
SS B	3	0003
SS T	1	0007
SS T	2	0021
SS T	3	0001
ST B	1	0166
ST B	2	0104
ST T	3	0168
ST T	4	0028
ST T	3	0156
ST T	4	0028
TC B	1	0025
TC B	2	0003
TC T	1	0024

COMPONENT	PIN	NET
TC T	2	0001
TPC328	A 1	0157
TPC328	A 2	0158
TPC328	A 3	0156
TPC328	A 4	0045
TPC328	A 6	0067
TPC328	A 7	0179
TPC328	A 8	0124
TPC328	A 9	0116
TPC328	A10	0120
TPC328	B 1	0170
TPC328	B 2	0053
TPC328	B 4	0046
TPC328	B 6	0069
TPC328	B 7	0181
TPC328	B 8	0133
TPC328	B 9	0125
TPC328	B10	0129
TPC328	C 1	0174
TPC328	C 3	0171
TPC328	C 4	0047
TPC328	C 6	0071
TPC328	C 7	0172
TPC328	C 8	0175
TPC328	C 9	0117
TPC328	C10	0121
TPC328	D 1	0177
TPC328	D 2	0052
TPC328	D 4	0048
TPC328	D 6	0073
TPC328	D 7	0057
TPC328	D 8	0178
TPC328	L 9	0126
TPC328	L10	0130
TPC328	E 1	0028
TPC328	E 2	0080
TPC328	E 5	0152
TPC328	E 7	0059
TPC328	E 8	0180
TPC328	E 9	0118
TPC328	E10	0122
TPC328	F 1	0083
TPC328	F 2	0043
TPC328	F 3	0032
TPC328	F 4	0153
TPC328	F 5	0042
TPC328	F 7	0061
TPC328	F 8	0169
TPC328	F 9	0127
TPC328	F10	0131
TPC328	G 1	0084
TPC328	G 3	0033
TPC328	G 4	0155





**TITLE**  
CABINET WIRING OF RECEIVER SET VS234

<b>WIRING DIAGRAM</b> 7733WD	<b>ISSUE</b> 4	<b>USED ON</b> 310763	<b>DATE</b> 04/06/67	<b>PAGE</b> 1 <b>OF</b>
---------------------------------	-------------------	--------------------------	-------------------------	-------------------------

NET	COMPONENT	PIN
0001	GF T	LIN
0001	P T	3
0001	. . TC T	2
0002	KL T	32
0003	GF B	LIN
0003	F R	3
0004	CF B	LOA
0004	KL B	32
0005	FF	LIN
0005	B	3
0005	. . BPC428	B 1
0005	. B	LOA
0005	TPC428	B 1
0006	KL T	22
0006	FF	LOA
0006	KL F	22
0007	SF T	LIN
0007	TS T	3
0007	SS T	1
0008	SF T	LOA
0008	P T	1
0008	SF T	1
0009	SF B	LIN
0009	TS B	3
0010	SF B	LOA
0010	P H	1
0010	SP F	1
0011	MS T	1
0012	TPC428	A 2
0012	P T	FR
0012	. B	FR

NET	COMPONENT	PIN
0012	. . . . BPC428	B 2
0012	. . . INNER	FR
0012	. . OUTER	FR
0012	. TPC428	B 2
0013	. SP T	3
0013	b	2
0013	A	1
0014	. . . . BPC428	B 3
0014	. A	3
0014	b F	2
0014	b F	1
0014	. . FAN	2 1
0014	. FC	1
0014	FAN	1 1
0015	KL T	33
0015	TS T	1
0015	K 1	1
0016	KL T	30
0016	TS T	4
0016	R 2	1
0017	R 3	2
0017	TS B	1
0017	KL F	33
0018	MS F	1
0018	TS B	2
0018	P B	6
0018	BPC428	A 1
0019	R	4
0019	TS B	4
0019	KL B	30
0020	MS B	2
0021	SS T	2
0021	R T	2
0022	SS B	2
0022	R 3	1
0023	FAN	1 2



NETWORK LISTING (TABULAR WIRING DIAGRAM)

TITLE <b>CABINET WIRING OF RECEIVER SET VS234</b>				
WIRING DIAGRAM 7/33WD	ISSUE 4	USED ON 310763	DATE 04/06/67	PAGE 2 OF

NET	COMPONENT	PIN
0023	H F	4
0023	• • L F	3
0023	• • • KL B	20
0023	• • KL T	20
0023	• FC	2
0023	FAN 2	2
0024	TC T	1
0024	P T	2
0024	•	1
0024	• T	LUA
0025	TC B	1
0025	P B	2
0025	B	5
0025	B B	LOA
0026	BPC428	A 3
0026	P B	4
0026	• SP	3
0026	H	6
0026	A	5
0027	BPC428	A 2
0027	P	FR
0027	SP	2
0028	KL T	1
0028	ST T	4
0028	• TPC328	E 1
0028	PD328	E 1
0029	KL T	3
0029	DA T	12
0030	KL T	4
0030	DA T	13
0031	KL T	5
0031	TPC328	H 2
0032	KL T	7
0032	TPC328	F 3
0033	KL T	8
0033	TPC328	G 4
0034	TPC328	H 3
0035	KL T	10
0035	PD328	B 5

NET	COMPONENT	PIN
0036	KL T	11
0036	PD328	A 5
0037	KL T	12
0037	PD328	A 4
0038	KL T	13
0038	PD328	B 4
0039	KL T	14
0039	PD328	C 4
0040	KL T	15
0040	PD328	D 4
0041	KL T	16
0041	TPC328	G 5
0042	KL T	17
0042	TPC328	F 5
0043	KL T	18
0043	TPC328	F 2
0044	KL T	19
0044	PD328	C 5
0045	KL T	24
0045	TPC328	A 4
0046	KL T	25
0046	TPC328	B 4
0047	KL T	26
0047	TPC328	C 4
0048	KL T	27
0048	TPC328	G 4
0049	KL T	28
0049	TPC328	H 4
0050	KL T	29
0050	PD328	B 3
0052	KL T	34
0052	ST T	2
0052	• • PD328	D 2
0052	• TPC328	D 2
0052	N T	19



TITLE <b>CABINET WIRING OF RECEIVER SET VS234</b>			
WIRING DIAGRAM 7733A	ISSUE 4	USED ON 310763	DATE 04/06/67
PAGE 3		OF	

NET	COMPONENT	PIN
0053	KL T	36
0053	ST T	1
0053	• • TPC328	B 2
0053	• G T	1
0053	DA T	16
0054	A	2
0054	J T	LIN
0055	A	4
0055	B	LIN
0056	A	6
0056	B B	LIN
0057	L T	1
0057	TPC328	D 7
0058	N T	2
0058	PD328	C 9
0059	N T	3
0059	TPC328	E 7
0060	N T	4
0060	PD328	D 9
0061	N T	5
0061	TPC328	F 7
0062	N T	6
0062	PD328	E 9
0063	N T	7
0063	TPC328	G 7
0064	N T	8
0064	PD328	A10
0065	N T	9
0065	TPC328	H 7
0066	N T	10
0066	PD328	B10
0067	N T	11
0067	TPC328	A 6
0068	N T	12
0068	PD328	C10
0069	N T	13

NET	COMPONENT	PIN
0069	TPC328	B 6
0070	N T	14
0070	PD328	D10
0071	N T	15
0071	TPC328	C 6
0072	N T	16
0072	PD328	E10
0073	N T	17
0073	TPC328	D 6
0074	N T	18
0074	PD328	B 9
0075	N T	20
0075	PD328	D 6
0076	N T	21
0076	PD328	A 1
0077	N T	22
0077	PD328	E 6
0078	N T	23
0078	PD328	A 2
0079	N T	26
0079	PD328	E 5
0080	N T	27
0080	TPC328	E 2
0081	N T	28
0081	PD328	C 3
0082	N T	30
0082	PD328	E 2
0083	N T	32
0083	TPC328	F 1
0084	N T	34
0084	TPC328	G 1
0085	N T	36
0085	TPC328	H 1
0086	N B	1
0086	TPC328	D 7





NETWORK LISTING (TABULAR WIRING DIAGRAM)

TITLE <b>CABINET WIRING OF RECEIVER SET VS234</b>			
WIRING DIAGRAM 7733AL	ISSUE 4	USED ON 310763	DATE 04/06/67
PAGE 4		OF	

NET	COMPONENT	PIN
0087	N B	2
0087	PD428	C 9
0088	N B	3
0088	BPC328	E 7
0089	N B	4
0089	PD428	D 9
0090	N B	5
0090	BPC328	F 7
0091	N B	6
0091	PD428	E 9
0092	N B	7
0092	BPC328	G 7
0093	N B	8
0093	PD428	A 10
0094	N B	9
0094	BPC328	H 7
0095	N B	10
0095	PD428	B 10
0096	N B	11
0096	BPC328	A 6
0097	N B	12
0097	PD428	C 10
0098	N B	13
0098	BPC328	B 6
0099	N B	14
0099	PD428	D 10
0100	N B	15
0100	BPC328	C 6
0101	N B	16
0101	PD428	E 10
0102	N B	17
0102	PD428	F 10
0103	N B	18
0103	PD428	H 9
0104	N B	19
0104	ST E	2

NET	COMPONENT	PIN
0104	BPC328	D 2
0104	KL B	34
0104	PD428	D 2
0105	N B	20
0105	PD428	B 6
0106	N B	21
0106	PD428	A 1
0107	N B	22
0107	PD428	E 6
0108	N B	23
0108	PD428	A 2
0109	N B	26
0109	PD428	E 5
0110	N B	27
0110	BPC328	E 2
0111	N B	28
0111	PD428	C 9
0112	N B	30
0112	PD428	E 3
0113	N B	32
0113	BPC328	F 1
0114	BPC328	G 1
0115	N B	36
0115	BPC328	H 1
0117	LD T	2
0117	IPC328	C 9
0118	LD T	3
0120	LD T	5
0120	IPC328	A 10
0121	LD T	6



NETWORK LISTING (TABULAR WIRING DIAGRAM)

TITLE <b>CABINET WIRING OF RECEIVER SET VS234</b>				
WIRING DIAGRAM <b>7733AD</b>	ISSUE <b>4</b>	USED ON <b>310763</b>	DATE <b>04/06/67</b>	PAGE <b>5</b> OF

NET	COMPONENT	PIN
0121	TPC328	C10
0122	DD T	7
0122	TPC328	E10
0123	DD T	8
0123	TPC328	B10
0124	DD T	9
0124	TPC328	A 8
0125	DD T	13
0125	TPC328	B 9
0126	DD T	14
0126	TPC328	D 9
0127	DD T	15
0127	TPC328	F 9
0128	DD T	16
0128	TPC328	H 9
0129	DD T	17
0129	TPC328	B10
0130	DD T	18
0130	TPC328	D10
0131	DD T	19
0131	TPC328	E10
0132	DD T	20
0132	TPC328	H10
0133	DD T	21
0133	TPC328	B 9
0134		
0135	DD B	2
0135	BPC328	C 9
0136		
0137	BPC328	G 9
0138	DD B	5
0138	BPC328	A10

NET	COMPONENT	PIN
0139	DD B	6
0139	BPC328	C10
0140	DD B	7
0140	BPC328	B10
0141	DD B	8
0141	BPC328	A 8
0142	DD B	13
0142	BPC328	A 8
0143	DD B	14
0143	BPC328	D 9
0144	DD B	15
0144	BPC328	D 9
0145	DD B	16
0145	BPC328	F 9
0146	DD B	17
0146	BPC328	H 9
0147	DD B	18
0147	BPC328	B10
0148	DD B	19
0148	BPC328	D10
0149	DD B	20
0149	BPC328	H10
0150	DD B	21
0150	BPC328	H10
0151		
0152	TPC328	E 5
0153	LA T	10
0153	TPC328	F 4
0154		
0155	DA T	14
0155	TPC328	G 4
0156	DA T	15
0156	ST T	3



NETWORK LISTING (TABULAR WIRING DIAGRAM)

TITLE <b>CABINET WIRING OF RECEIVER SET VS234</b>			
WIRING DIAGRAM <b>7733WU</b>	ISSUE <b>4</b>	USED ON <b>310763</b>	DATE <b>04/06/67</b>
PAGE <b>6</b>		OF	

NET	COMPONENT	PIN
0156	• TPC328	A 3
0156	PD328	A 3
0157	DA T	17
0157	TPC328	A 1
0158	DA T	18
0158	TPC328	A 2
0159	DA T	4
0159	BPC328	E 5
0160	DA B	10
0160	BPC328	F 4
0161	DA B	11
0161	BPC328	H 5
0162	DA E	12
0162	KL E	3
0163	DA B	13
0163	KL B	4
0164	DA F	14
0164	BPC328	G 4
0165	DA F	15
0165	ST B	3
0165	• BPC328	A 3
0165	PD428	A 3
0166	DA F	16
0166	ST F	1
0166	• • KL A	3c
0166	• G H	1
0166	BPC328	B 2
0167	DA G	17
0167	BPC328	A 1
0168	DA H	18
0168	BPC328	A 2
0169	PD328	A 8
0169	TPC328	F 8
0170	PD328	B 1
0170	TPC328	B 1
0171	PD328	B 2
0171	TPC328	C 3

NET	COMPONENT	PIN
0172	PD328	B 7
0172	TPC328	C 7
0173	PD328	B 8
0173	TPC328	G 8
0174	PD328	C 1
0174	TPC328	C 1
0175	PD328	C 7
0175	TPC328	C 8
0176	PD328	C 8
0176	TPC328	H 8
0177	PD328	D 1
0177	TPC328	D 1
0178	PD328	D 7
0178	TPC328	D 8
0179	PD328	D 8
0179	TPC328	A 7
0180	PD328	E 7
0180	TPC328	E 8
0181	PD328	E 8
0181	TPC328	B 7
0182	PD428	A 4
0182	KL B	12
0183	PD428	A 5
0183	KL B	11
0184	PD428	A 8
0184	BPC328	F 1
0185	PD428	B 1
0185	BPC328	B 1
0186	PD428	B 2
0186	BPC328	C 3
0187	PD428	B 2
0187	KL B	13
0188	PD428	B 4
0188	KL B	13
0189	PD428	B 5
0189	KL B	10



TITLE <b>CABINET WIRING OF RECEIVER SET VS234</b>				
WIRING DIAGRAM <b>7733kL</b>	ISSUE <b>4</b>	USED ON <b>310763</b>	DATE <b>04/06/67</b>	PAGE <b>7</b> OF

NET	COMPONENT	PIN
0190	PD428	E 7
0190	BPC328	C 7
0191	PD428	B 8
0191	BPC328	G 8
0192	PD428	C 1
0192	BPC328	C 1
0193	PD428	C 7
0193	KL B	31
0194	PD428	C 4
0194	KL B	14
0195	PD428	C 5
0195	KL B	19
0196	PD428	C 7
0196	BPC328	C 8
0197	PD428	C 8
0197	BPC328	H 8
0198	PD428	C 1
0198	BPC328	C 1
0199	PD428	D 4
0199	KL B	15
0200	PD428	D 7
0200	BPC328	D 8
0201	PD428	D 8
0201	BPC328	A 7
0202	PD428	E 1
0202	ST B	4
0202	KL B	1
0202	BPC328	E 1
0203	PD428	E 7
0203	BPC328	E 8
0204	PD428	E 8
0204	BPC328	B 7
0205	BPC328	A 4
0205	KL B	24
0206	BPC328	B 4
0206	KL B	25

NET	COMPONENT	PIN
0207	BPC328	C 4
0207	KL B	26
0208	BPC328	D 4
0208	KL B	27
0209	BPC328	F 2
0209	KL B	18
0210	BPC328	F 3
0210	KL B	7
0211	BPC328	F 5
0211	KL B	27
0212	BPC328	G 3
0212	KL B	8
0213	BPC328	G 5
0213	KL B	16
0214	BPC328	H 2
0214	KL B	5
0215	BPC328	H 3
0215	KL B	9
0216	BPC328	H 4
0216	KL B	28
0217	R 2	2
0217	MS T	2

NUMBER OF WIRES

END OF LISTING

ISSUE CONTROL RECORD														773: WD							
SHEET NO.	ISSUE													REVISIONS							
	2	3	4	5	6	7	8	9	10	11	12	13	14	15	16	17	18	19			
1C																			ISSUE	DATE	AUTH NO
2C																			1	2-28-66	16488R
3C	X																		2	4-4-67	93097
4C																			3	1-29-70	2B
1X	X	X																			
1	X	X																			
2	X	X																			

WDP

ISSUE CONTROL SHEET 1 OF 1

Actual Wiring Diagram for Reperator Shelves 310831, 310832

APPROVALS

D AND R <i>[Signature]</i>	E OF M <i>[Signature]</i>
-------------------------------	------------------------------

E-NUMBER  
PROD. NO. 773LWD

DATE: 11-8-65

PD FILE NO.

DRAWN NAR CHKD *[Signature]*

ENG. BJH APPD

TELETYPE CORPORATION

773L WD



## 1. PAGE NUMBERING

**This WD consists of three sections; the Cover Pages, the Network Listing Index pages, and the Network Listing pages. Each page is numbered to show the page, the section, the total pages in the section, and the total pages in the WD.**

**Page 3C of 4C/30 means the third page of 4 cover pages in a WD having 30 total pages.**

**Page 2X of 11X/30 is the 2nd of 11 index pages in a WD having 30 total pages.**

**Page 10 of 15/30 is the 10th of 15 network pages in a WD having 30 total pages.**

## 2. COVER PAGES

**The Cover pages contain the release information and notes pertaining to the WD.**

## 3. NETWORK LISTING - INDEX

**The Index lists pins in alpha-numerical order and is a cross reference to the number of the network in which they appear.**

## 4. NETWORK LIST

**The Network List is a list of connector pins that are connected together in a common electrical circuit. It lists the pins in from-to-to order. At branching points the first pin of the branch is indented. A second indentation indicates a branch within the first branch. Three indents indicates a third sub branch. If further sub branches are encountered, an indent number is used instead of further indenting.**

**At a branching point the branching pin is connected to the pin listed on the next line below as well as to the pin at the end of the column of dots extending below the branching pin. If no pins are listed directly below or to the right, the branch ends. There is no direct connection between a pin and one listed below and in a column to its left.**

**The asterisk in front of the indent number identifies the first pin of a new sub branch.**



SAMPLE NETWORK (Arrows Show Connections)

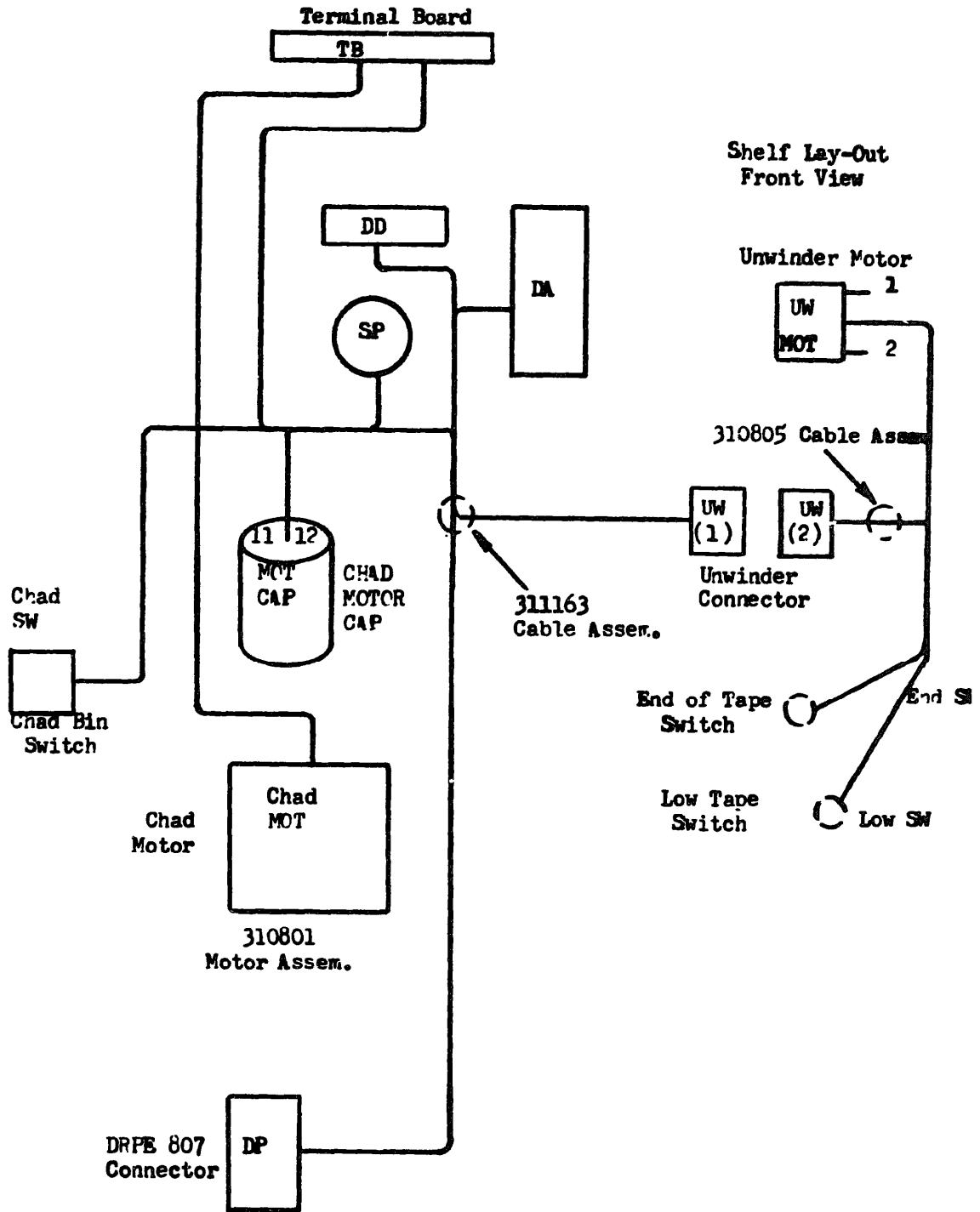
<u>Net</u>	<u>Component</u>	<u>Pin</u>	
0143	JE 4	G 6	
0143	XZD314	21	
0143	XZD313	20	
0143	.	XZD313	6
0143	.	XZD312	6
0143	.	XZD311	6
0143	.	XZD313	23
0143	.	XZD313	25
0143	.	XZD313	31
0143	04	XZD313	33
0143	.	XZD312	33
0143	.	XZD312	31
0143	.	XZD311	31
0143	.	XZD312	25
0143	.	XZD311	25
0143	.	XZD312	23
0143	.	XZD311	23
0143	XZD312	20	
0143	XZD311	20	
0144	JD 4	G 7	
0144	XZD308	18	
0144	XZD309	18	
0144	XZD310	18	
0144	.	XZD310	28
0144	.	XZD313	8
0144	.	XZD314	31
0144	.	XZD319	29
0144	.	XZD328	31
0144	.	XZD309	28
0144	.	XZD308	28
0144	XZD310	4	
0144	XZD309	4	

- NOTE 1: Wire is part of 311163 cable assembly and must be connected to the indicated "From" and "To" terminals.
- NOTE 2: Wire is part of 310801 motor assembly and must be connected to the indicated "To" terminal.
- NOTE 3: Wire is a 151827 strap and must be connected to the indicated "From" and "To" terminals.
- NOTE 4: Wire is a 193479 strap and must be connected to the indicated "From" and "To" terminals.
- NOTE 5: W is part of 311163 cable assembly and must be connected to the indicated "To" terminal.
- NOTE 6: Wire is part of 310805 cable assembly and must be connected to the indicated "To" terminal.
- NOTE 7: Refer to 7730WD for schematic wiring diagram. OF US 234.  
 " " 7746 WD " " " " OF US 269.





NOTE 8







NETWORK LISTING (TABULAR WIRING DIAGRAM)



TITLE REFERRERATOR SHFLF AIRC OF RECLIVER SET VS234 AND VS269			
WIRING DIAGRAM 773-nu	ISSUE 38	USED ON 310h31-2	DATE 1-29-70 <del>041061CT</del>
PAGE 1		OF 2/7	

NET	COMPONENT	PIN
0001	MOT CAP	2
0001	TR	2
0001	. . TR	3
0001	. . CHAD MOT	R
0001	. DP	49
0001	TR	1
0001	. UW 1	7
0001	SP	1
0002	DP	16
0002	TR	4
0002	. SP	3
0002	TR	5
0002	. UW 1	5
0002	CHAD MOT	W
0003	MOT CAP	1
0003	TR	6
0003	CHAD MOT	DL
0004	DP	33
0004	TR	7
0004	. . SP	2
0004	. UW 1	12
0004	TR	8
0004	. . CHAD MOT	5
0004	. MOT	5C
0004	FRAME	00
0005	DP	1
0005	DD	1
0006	DP	3
0006	DD	13
0007	DP	5
0007	DD	2
0008	DP	7
0008	DD	14
0009	DP	9
0009	DD	3
0011	DP	13
0011	DD	4
0012	DP	15
0012	DD	16

NET	COMPONENT	PIN
0013	LP	17
0013	LD	5
0014	DP	18
0014	DA	15
0015	DP	19
0015	UW 1	8
0015	DA	16
0015	CHAD SW	C
0015	LP	30
0016	DP	20
0016	DA	14
0017	DP	31
0017	DA	11
0018	LP	34
0018	DD	21
0019	DP	36
0019	DD	9
0020	DP	38
0020	DD	20
0021	DP	40
0021	DD	8
0022	DP	42
0022	DD	19
0023	LP	44
0023	DD	7
0024	DP	45
0024	DA	4
0025	DP	46
0025	DD	18
0026	DP	48
0028	DA	10
0028	UW 1	3
0029	DA	12



<b>TITLE</b> REPERATOR SHELF WIRING OF RECEIVER SET VS234 AND VS269			
<b>WIRING DIAGRAM</b> 7734WD	<b>ISSUE</b> 32	<b>USED ON</b> 310831-2	<b>DATE</b> <i>1-29-70</i> <del>04706167</del>
		<b>PAGE</b> 2	<b>OF</b> <i>2/7</i>

NET	COMPONENT	PIN	NET	COMPONENT	PIN
0029	UW 1	1			
0030	DA	13			
0030	CHAD SW	NO			
<del>0031</del>	<del>END SW</del>	<del>2</del>			
0032	END SW	2			
0032	UW 2	8			
0032	LOW SW	2			
<del>0033</del>	<del>LOW SW</del>	<del>2</del>			
<del>0034</del>	<del>UW 2</del>	<del>5</del>			
0034	UW 2	5			
0035	Jw M.T	2			
0035	UW 2	7			

**NUMBER OF WIRES - 54**

**END OF LISTING**



TITLE <b>RFPFRERATOR SHELF WIRING OF RECEIVER SET VS234 AND VS269</b>			
WIRING DIAGRAM <b>7734WD</b>	ISSUE <b>38</b>	USED ON <b>310831-2</b>	DATE <b>1-29-70</b> <del>04706167</del>
PAGE <b>2</b>			OF <b>2/7</b>

NET	COMPONENT	PIN
0029	UW 1	1
0030	JA	13
0030	CHAD SW	NO
<del>0031</del>	<del>END SW</del>	<del>1</del>
0032	END SW	2
0032	UW 2	8
0032	LOW SW	2
<del>0033</del>	<del>LOW SW</del>	<del>1</del>
<del>0034</del>	<del>UW 2</del>	<del>5</del>
0034	UW 2	5
0035	JW MCT	2
0035	UW 2	7

NUMBER OF WIRES - 56

END OF LISTING

NET	COMPONENT	PIN
-----	-----------	-----

# ISSUE CONTROL RECORD

7735 **WD**

SHEET NO.	ISSUE																		
	2	3	4	5	6	7	8	9	10	11	12	13	14	15	16	17	18	19	
1C																			
2C																			
3C	X																		
4C																			
5C																			
6C																			
1X	X																		
2X	X																		
1	X																		
2	X																		
3	X																		

### REVISIONS

ISSUE	DATE	AUTH.
1	2-28-66	TGS
2	1-29-70	EB

WDP

ISSUE CONTROL  
SHEET 1 OF 1

Actual Wiring Diagram  
For Receiver Control  
Panel 310806.

### APPROVALS

D AND R	E OF M
<i>APK</i>	<i>[Signature]</i>
E-NUMBER	
PROJ. NO. 7735WD	
DATE: 11-8-65	
RD. FILE NO.	
DRAWN. MAR	CHKD. <i>[Signature]</i>
ENGD. ETR	APPR. <i>[Signature]</i>

**TELETYP CORPORATION**

7735 **WD**



## 1. PAGE NUMBERING

This WD consists of three sections; the Cover Pages, the Network Listing Index pages, and the Network Listing pages. Each page is numbered to show the page, the section, the total pages in the section, and the total pages in the WD.

Page 3C of 4C/30 means the third page of 4 cover pages in a WD having 30 total pages.

Page 2X of 11X/30 is the 2nd of 11 index pages in a WD having 30 total pages.

Page 10 of 15/30 is the 10th of 15 network pages in a WD having 30 total pages.

## 2. COVER PAGES

The Cover pages contain the release information and notes pertaining to the WD.

## 3. NETWORK LISTING - INDEX

The Index lists pins in alpha-numerical order and is a cross reference to the number of the network in which they appear.

## 4. NETWORK LIST

The Network List is a list of connector pins that are connected together in a common electrical circuit. It lists the pins in from-to-to order. At branching points the first pin of the branch is indented. A second indentation indicates a branch within the first branch. Three indents indicates a third sub branch. If further sub branches are encountered, an indent number is used instead of further indenting.

At a branching point the branching pin is connected to the pin listed on the next line below as well as to the pin at the end of the column of dots extending below the branching pin. If no pins are listed directly below or to the right, the branch ends. There is no direct connection between a pin and one listed below and in a column to its left.

The asterisk in front of the indent number identifies the first pin of a new sub branch.



SAMPLE NETWORK (Arrows Show Connections)

<u>Net</u>	<u>Component</u>	<u>Pin</u>		
0143	JD 4	G 6		
0143	XZD314	21		
0143	XZD313	20		
0143	.	XZD313	6	
0143	.	XZD312	6	
0143	.	XZD311	6	
0143	XZD313	23		
0143	.	XZD313	25	
0143	.	XZD313	31	
0143	.	XZD313	33	
0143	.	XZD312	33	
0143	.	XZD312	31	
0143	.	XZD311	31	
0143	.	XZD312	25	
0143	.	XZD311	25	
0143	XZD312	23		
0143	XZD311	23		
0143	XZD312	20		
0143	XZD311	20		
0144	JD 4	G 7		
0144	XZD308	18		
0144	XZD309	18		
0144	XZD310	18		
0144	.	XZD310	28	
0144	.	XZD313	8	
0144	.	XZD314	31	
0144	.	XZD319	29	
0144	.	XZD328	31	
0144	.	XZD309	28	
0144	.	XZD308	28	
0144	XZD310	4		
0144	XZD309	4		





- NOTE 1: Wire is part of 310827 cable assembly and must be connected to the indicated "From" terminal.
- NOTE 2: Wire is part of 310827 cable assembly and must be connected to the indicated "From" and "To" terminals.
- NOTE 3: Wire is 24 AWG green 31905 RM with length given in inches. It must be connected between the indicated "From" and "To" terminals.
- NOTE 4: Wire is part of 310826 cable assembly and must be connected to the indicated "From" terminal.
- NOTE 5: Wire is part of 310826 cable assembly and must be connected to the indicated "From" and "To" terminals.
- NOTE 6: Wire is part of 311173 cable and must be connected to the indicated "To" terminal.
- NOTE 7: Refer to 7730WD for Schematic Wiring Diagram. OF VS 234  
 " " 7746WD " " " " OF VS 263

**NOTE 7:** Components are twelve (12) resistors designated R1 through R12. Connections must be made from the component terminal to the indicated "To" terminal.



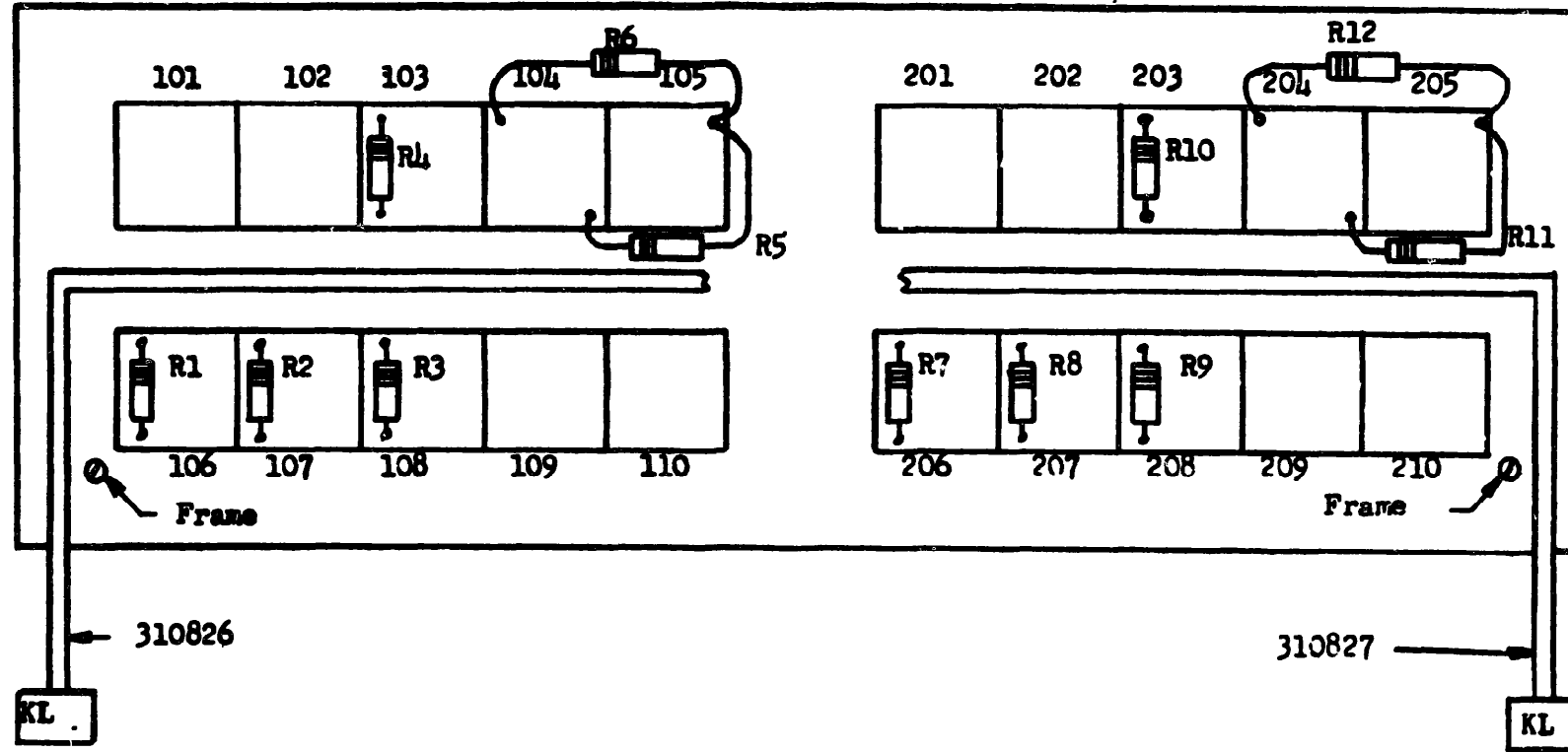
**T.T. Part No. 310988**

**150 OHMS  
1 WATT**

**NOTE 8:** Connect 150 Ohm resistor (310988) to indicated terminals with 60340RM tubing on each end of resistor.

NOTE 9

TOP



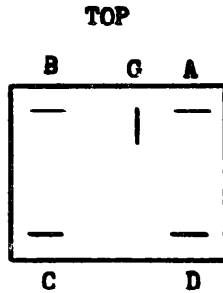
REAR VIEW OF CONTROL PANEL

7735ND PROB 5C OF 6C/11  
ISSUE 1

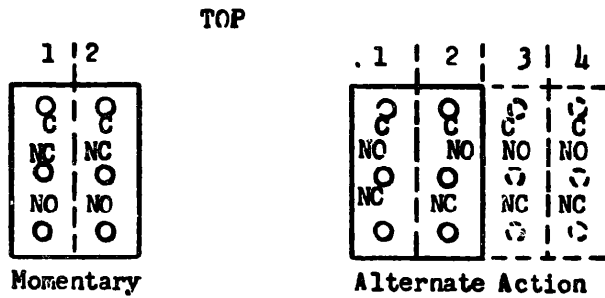


NOTE 10

LAMP (REAR VIEW)



Switches (Rear View)



NOTE 11 Switch designations SW - - - and S - - - are identical. In the actual wiring diagram it appears as S - - -. In the schematic wiring diagram it appears as SW - - -.



NETWORK LISTING (TABULAR WIRING DIAGRAM) - INDEX

WDP

TITLE <b>HOOD AND CONTROL PANEL WIRING OF RECEIVER SET VS234 AND VS269</b>			
WIRING DIAGRAM <b>7735WD</b>	ISSUE <b>24</b>	USED ON <b>310763</b>	DATE <b>1-28-70</b> <del>02-10-66</del>
		PAGE	<b>1X OF 2X/11</b>

COMPONENT	PIN	NET
FAN	1	0068
FAN	2	0069
FC	1	0068
FC	2	0069
FRAME		0029
KL B	1	0031
KL B	3	0032
KL B	4	0033
KL B	5	0034
KL B	7	0035
KL H	8	0036
XL B	9	0037
KL B	10	0038
KL B	11	0039
KL B	12	0040
KL B	13	0041
KL B	14	0042
KL B	15	0043
KL B	16	0044
KL B	17	0045
KL B	19	0046
KL B	20	0047
KL B	22	0048
KL B	24	0049
XL B	25	0050
KL B	26	0051
KL B	27	0052
KL B	28	0053
KL B	29	0054
KL B	30	0055
KL B	31	0056
KL B	32	0057
KL B	33	0058
KL B	34	0029
KL B	36	0059
KL T	1	0001
KL T	3	0002
KL T	4	0003
KL T	5	0004
KL T	7	0005
KL T	8	0006
KL T	9	0007
KL T	10	0008
KL T	11	0009
KL T	12	0010
KL T	13	0011
KL T	14	0012
KL T	15	0013
KL T	16	0014
KL T	17	0015
KL T	19	0016
KL T	20	0017
KL T	22	0018

COMPONENT	PIN	NET
KL T	24	0019
KL T	25	0020
KL T	26	0021
KL T	27	0022
KL T	28	0023
KL T	29	0024
KL T	30	0025
KL T	31	0026
KL T	32	0027
KL T	33	0028
KL T	34	0029
KL T	36	0030
R 1	1	0061
R 1	2	0031
R 2	1	0062
R 2	2	0031
R 3	1	0063
R 3	2	0031
R 4	1	0060
R 4	2	0031
R 5	1	0033
R 5	2	0059
R 6	1	0032
R 6	2	0059
R 7	1	0065
R 7	2	0001
R 8	1	0066
R 8	2	0001
R 9	1	0067
R 9	2	0001
R 10	1	0064
R 10	2	0001
R 11	1	0003
R 11	2	0030
R 12	1	0002
R 12	2	0030
S101	1 C	0059
S101	1NO	0044
S102	1 C	0059
S102	1NO	0045
S103	1 C	0060
S103	1NO	0031
S103	2 C	0059
S103	2NO	0053
S105	2 C	0059
S105	2NC	0056
S105	2NO	0054
S106	1 C	0061
S106	1NO	0031
S106	2 C	0059
S106	2NC	0052
S106	2NO	0051
S107	1 C	0062

COMPONENT	PIN	NET
S107	1NO	0031
S107	2 C	0059
S107	2NC	0050
S107	2NO	0049
S108	1 C	0063
S108	1NO	0031
S108	2 C	0059
S108	2NC	0043
S108	2NO	0042
S109	2 C	0059
S109	2NC	0041
S109	2NO	0040
S110	1 C	0057
S110	1NO	0056
S110	2 C	0047
S110	2NO	0048
S110	3 C	0057
S110	3NO	0055
S201	1 C	0030
S201	1NO	0014
S202	1 C	0030
S202	1NO	0015
S203	1 C	0064
S203	1NO	0001
S203	2 C	0030
S203	2NO	0023
S205	2 C	0030
S205	2NC	0026
S205	2NO	0024
S206	1 C	0065
S206	1NO	0001
S206	2 C	0030
S206	2NC	0022
S206	2NO	0021
S207	1 C	0066
S207	1NO	0001
S207	2 C	0030
S207	2NC	0020
S207	2NO	0019
S208	1 C	0067
S208	1NO	0001
S208	2 C	0030
S208	2NC	0013
S208	2NO	0012
S209	2 C	0030
S209	2NC	0011
S209	2NO	0010
S210	1 C	0027
S210	1NO	0028
S210	2 C	0017
S210	2NO	0018
S210	3 C	0027
S210	3NO	0025



TITLE				
HOOD AND CONTROL PANEL WIRING OF RECEIVER SET VS234 AND VS269				
WIRING DIAGRAM	ISSUE	USED ON	DATE	PAGE
7735WD	2	310763	1-29-70 <del>02-10-66</del>	2X OF 2X/11

COMPONENT	PIN	NET	COMPONENT	PIN	NET	COMPONENT	PIN	NET
XDS101	A	0036	XDS204	C	0003			
XDS101	B	0036	XDS204	D	0003			
XDS101	C	0034	XDS204	G	0001			
XDS101	D	0034	XDS205	B	0016			
XDS101	G	0059	XDS205	D	0016			
XDS102	A	0035	XDS205	G	0030			
XDS102	B	0035	XDS206	B	0065			
XDS102	C	0037	XDS206	D	0065			
XDS102	D	0037	XDS206	G	0030			
XDS102	G	0059	XDS207	H	0066			
XDS103	B	0060	XDS207	D	0066			
XDS103	D	0060	XDS207	G	0030			
XDS103	G	0059	XDS208	B	0067			
XDS104	A	0032	XDS208	D	0067			
XDS104	B	0032	XDS208	G	0030			
XDS104	C	0033	XDS209	A	0008			
XDS104	D	0033	XDS209	B	0008			
XDS104	G	0031	XDS209	C	0009			
XDS105	B	0046	XDS209	D	0009			
XDS105	D	0046	XDS209	G	0030			
XDS105	G	0059	XDS210	B	0001			
XDS106	B	0061	XDS210	D	0001			
XDS106	D	0061	XDS210	G	0030			
XDS106	G	0059						
XDS107	B	0062						
XDS107	D	0062	# OF PINS -	235				
XDS107	G	0059						
XDS108	B	0063	END OF LISTING					
XDS108	D	0063						
XDS108	G	0059						
XDS109	A	0038						
XDS109	B	0038						
XDS109	C	0039						
XDS109	D	0039						
XDS109	G	0059						
XDS110	B	0031						
XDS110	D	0031						
XDS110	G	0059						
XDS201	A	0006						
XDS201	B	0006						
XDS201	C	0004						
XDS201	D	0004						
XDS201	G	0030						
XDS202	A	0005						
XDS202	B	0005						
XDS202	C	0007						
XDS202	D	0007						
XDS202	G	0030						
XDS203	B	0064						
XDS203	D	0064						
XDS203	G	0030						
XDS204	A	0002						
XDS204	B	0002						



NETWORK LISTING (TABULAR WIRING DIAGRAM)



TITLE <b>HOOD AND CONTROL PANEL WIRING OF RECEIVER SET VS234 AND VS269</b>				
WIRING DIAGRAM <b>7735MD</b>	ISSUE <b>2</b>	USED ON <b>310763</b>	DATE <b>1-29-70</b> <del>02-10-68</del>	PAGE <b>1</b> OF <b>3/11</b>

NET	COMPONENT	PIN
0001	KL T	1
0001	S206	1NO
0001	. .	S207 1NO
0001	. .	. R 8 2
0001	. .	S208 1NO
0001	. .	. R 9 2
0001	. .	XDS204 G
0001	. .	XDS210 B
0001	. .	XDS210 D
0001	. R 7	2
0001	S203	1NO
0001	R 10	2
0002	KL T	3
0002	XDS204	B
0002	. R 12	1
0002	XDS204	A
0003	KL T	4
0003	XDS204	C
0003	XDS204	D
0003	R 11	1
0004	KL T	5
0004	XDS201	C
0004	XDS201	D
0005	KL T	7
0005	XDS202	A
0005	XDS202	B
0006	KL T	8
0006	XDS201	B
0006	XDS201	A
0007	KL T	9
0007	XDS202	C
0007	XDS202	D
0008	KL T	10
0008	XDS209	B
0008	XDS209	A
0009	KL T	11
0009	XDS209	B
0009	XDS209	C
0010	KL T	12
0010	S209	2NO
0011	KL T	13
0011	S209	2NC

NET	COMPONENT	PIN
0012	KL T	14
0012	S208	2NO
0013	KL T	15
0013	S208	2NC
0014	KL T	16
0014	S201	1NO
0015	KL T	17
0015	S202	1NO
0016	KL T	19
0016	XDS205	B
0016	XDS205	D
0017	KL T	20
0017	S210	20C
0018	KL T	22
0018	S210	2NO
0019	KL T	24
0019	S207	2NO
0020	KL T	25
0020	S207	2NC
0021	KL T	26
0021	S206	2NO
0022	KL T	27
0022	S206	2NC
0023	KL T	28
0023	S203	2NO
0024	KL T	29
0024	S205	2NO
0025	KL T	30
0025	S210	3NO
0026	KL T	31
0026	S205	2NC
0027	KL T	32
0027	S210	10C
0027	S210	30C
0028	KL T	33
0028	S210	1NO



TITLE <b>HOOD AND CONTROL PANEL WIRING OF RECEIVER SET VS234 AND VS 269</b>			
WIRING DIAGRAM <b>7735WD</b>	ISSUE <b>2-1</b>	USED ON <b>310763</b>	DATE <b>1-29-70</b> <del>02/10/66</del>
PAGE <b>2</b> OF <b>3/11</b>			

NET	COMPONENT	PIN
0029	KL T	34
0029	FRAME	
0029	KL B	34
0030	KL T	36
0030	XDS206	G
0030	. .	XDS205 G
0030	. .	. XDS203 G
0030	**04	XDS202 G
0030	**05	XDS201 G
0030	05	S201 10C
0030	04	S202 10C
0030	. .	. S203 20C
0030	. .	. S205 20C
0030	. .	. R 12 2
0030	. .	. R 11 2
0030	. .	. XDS207 G
0030	. .	. XDS208 G
0030	. .	. XDS209 G
0030	**04	XDS210 G
0030	. .	. S209 20C
0030	. .	. S208 20C
0030	. .	. S207 20C
0030	S206	20C
0031	KL B	1
0031	S106	1NO
0031	. R 1	2
0031	S107	1NO
0031	. R 2	2
0031	S108	1NO
0031	. R 3	2
0031	XDS104	G
0031	XDS110	B
0031	. XDS110	D
0031	S103	1NO
0031	R 4	2
0032	KL B	3
0032	XDS104	B
0032	. R 6	1
0032	XDS104	A
0033	KL B	4
0033	XDS104	C
0033	XDS104	D
0033	R 5	1
0034	KL B	5
0034	XDS101	C
0034	XDS101	D

NET	COMPONENT	PIN
0035	KL B	7
0035	XDS102	A
0035	XDS102	B
0036	KL B	8
0036	XDS101	B
0036	XDS101	A
0037	KL B	9
0037	XDS102	C
0037	XDS102	D
0038	KL B	10
0038	XDS109	B
0038	XDS109	A
0039	KL B	11
0039	XDS109	D
0039	XDS109	C
0040	KL B	12
0040	S109	2NO
0041	KL B	13
0041	S109	2NC
0042	KL B	14
0042	S108	2NO
0043	KL B	15
0043	S108	2NC
0044	KL B	16
0044	S101	1NO
0045	KL B	17
0045	S102	1NO
0046	KL B	19
0046	XDS105	B
0046	XDS105	D
0047	KL B	20
0047	S110	20C
0048	KL B	22
0048	S110	2NO
0049	KL B	24
0049	S107	2NO
0050	KL B	25
0050	S107	2NC





TITLE <b>HOOD AND CONTROL PANEL WIRING OF RECEIVER SET VS234 AND VS269</b>				
WIRING DIAGRAM <b>7735WD</b>	ISSUE <b>2</b>	USED ON <b>310763</b>	DATE <b>1-29-70</b> <b>02/10/66</b>	PAGE <b>3</b> OF <b>3/11</b>

NET	COMPONENT	PIN
0051	KL B	26
0051	S106	2ND
0052	KL B	27
0052	S106	2NC
0053	KL B	28
0053	S103	2ND
0054	KL B	29
0054	S105	2ND
0055	KL B	30
0055	S110	3ND
0056	KL	31
0056	S10	2NC
0057	KL B	32
0057	S110	10C
0057	S110	30C
0058	KL B	33
0058	S110	1ND
0059	KL B	36
0059	XDS106	G
0059	• XDS107	G
0059	• • XDS108	G
0059	• • • XDS109	G
0059	••04	XDS110 G
0059	04	XDS101 G
0059	••05	XDS102 G
0059	••06	XDS103 G
0059	••07	XDS105 G
0059	07	S105 20C
0059	••08	R 6 2
0059	07	R 5 2
0059	06	S103 20C
0059	05	S102 10C
0059	04	S101 10C
0059	• • • S109	20C
0059	• • • S108	20C
0059	• S107	20C
0059	S106	20C
0060	XDS103	D
0060	XDS103	B
0060	S103	10C
0060	R 4	1
0061	XDS106	D

NET	COMPONENT	PIN
0061	XDS106	B
0061	S106	10C
0061	R 1	1
0062	XDS107	D
0062	XDS107	B
0062	S107	10C
0062	R 2	1
0063	XDS108	D
0063	XDS108	B
0063	S108	10C
0063	R 3	1
0064	XDS203	D
0064	XDS203	B
0064	S203	10C
0064	R 10	1
0065	XDS206	D
0065	XDS206	B
0065	S206	10C
0065	R 7	1
0066	XDS207	D
0066	XDS207	B
0066	S207	10C
0066	R 8	1
0067	XDS208	D
0067	XDS208	B
0067	S208	10C
0067	R 9	1
0068	FC	1
0068	FAN	1
0069	FC	2
0069	FAN	2

NUMBER OF WIRES - 166

END OF LISTING

ISSUE CONTROL RECORD

7736 WD

SHEET NO.

ISSUE

2 3 4 5 6 7 8 9 10 11 12 13 14 15 16 17 18 19

REVISIONS

ISSUE	DATE	AUTH. NO.
1	2-28-66	KYBBR
2	2-2-67	92247
3	1-21-70	38

1C  
2C

1X

1

2

X	X																	
X	X																	
X	X																	

WOP

ISSUE CONTROL SHEET 1 OF 1

Actual Wiring Diagram For 310850 Power Supply

APPROVALS

DAND R. <i>[Signature]</i>	E OF M <i>[Signature]</i>
-------------------------------	------------------------------

E-NUMBER

PROD. NO. 7736 WD

DATE: 1-21-66

P.D. FILE NO.

DRAWN. *[Signature]* EAB CHKD. *[Signature]*

ENGR. EJR APPD. *[Signature]*

TELETYPE CORPORATION

7736 WD

## 1. PAGE NUMBERING

This WD consists of three sections; the Cover Pages, the Network Listing Index pages, and the Network Listing pages. Each page is numbered to show the page, the section, the total pages in the section, and the total pages in the WD.

Page 3C of 4C/30 means the third page of 4 cover pages in a WD having 30 total pages.

Page 2X of 11X/30 is the 2nd of 11 index pages in a WD having 30 total pages.

Page 10 of 15/30 is the 10th of 15 network pages in a WD having 30 total pages.

## 2. COVER PAGES

The Cover pages contain the release information and notes pertaining to the WD.

## 3. NETWORK LISTING - INDEX

The Index lists pins in alpha-numerical order and is a cross reference to the number of the network in which they appear.

## 4. NETWORK LIST

The Network List is a list of connector pins that are connected together in a common electrical circuit. It lists the pins in from-to-to order. At branching points the first pin of the branch is indented. A second indentation indicates a branch within the first branch. Three indents indicates a third sub branch. If further sub branches are encountered, an indent number is used instead of further indenting.

At a branching point the branching pin is connected to the pin listed on the next line below as well as to the pin at the end of the column of dots extending below the branching pin. If no pins are listed directly below or to the right, the branch ends. There is no direct connection between a pin and one listed below and in a column to its left.

The asterisk in front of the indent number identifies the first pin of a new sub branch.



SAMPLE NETWORK (Arrows Show Connections)

<u>Yct</u>	<u>Component</u>	<u>Pin</u>	
0143	JD 4	0 6	
0143	XZD314	21	
0143	XZD313	20	
0143	.	XZD313	6
0143	.	XZD312	6
0143	.	XZD311	6
0143	.	XZD313	23
0143	.	XZD313	25
0143	.	XZD313	31
0143	04	XZD313	33
0143	04	XZD312	33
0143	.	XZD312	31
0143	.	XZD311	31
0143	.	XZD312	25
0143	.	XZD311	25
0143	.	XZD312	23
0143	.	XZD311	23
0143	XZD312	20	
0143	XZD311	20	
0144	JD 4	G 7	
0144	XZD308	18	
0144	XZD309	18	
0144	XZD310	18	
0144	.	XZD310	28
0144	.	XZD313	8
0144	.	XZD314	31
0144	.	XZD319	29
0144	.	XZD308	31
0144	.	XZD309	28
0144	.	XZD308	28
0144	XZD310	4	
0144	XZD309	4	



NETWORK LISTING (TABULAR WIRING DIAGRAM) - INDEX



TITLE <b>POWER SUPPLY WIRING OF RECEIVER SET VS234 AND VS269</b>			
WIRING DIAGRAM <b>1730A1</b>	ISSUE <b>31</b>	USED ON <b>310850</b>	DATE <b>1-29-70</b> <b>02706767</b>
PAGE <b>1X</b>		OF <b>1X/5</b>	

COMPONENT	PIN	NET	COMPONENT	PIN	NET	COMPONENT	PIN	NET
C 1	LFT	0001	U 5	BAS	0027			
C 1	RSH	0002	U 5	CJL	0008			
C 2	NEG	0004	U 5	EMR	0003			
C 2	PDS	0003	U 6	JAS	0026			
C 3	NEG	0005	U 6	CJL	0009			
C 3	PDS	0003	U 6	EMR	0010			
C 4	NEG	0006	R 1	1	0003			
C 4	PDS	0003	R 1	2	0004			
C 5	NEG	0006	R 2	1	0003			
C 5	PDS	0003	R 2	2	0005			
C 6	NEG	0006	R 3	1	0003			
C 6	PDS	0003	R 3	2	0006			
C 7	NEG	0006	R 4	1	0007			
C 7	PDS	0003	R 4	2	0008			
C 8	NEG	0008	R 5	1	0003			
C 8	PDS	0007	R 5	2	0009			
C 9	NEG	0003	VR 1	1	0024			
C 9	PDS	0007	VR 1	2	0025			
C 10	NEG	0009	VR 1	3	0015			
C 10	PDS	0003	VR 1	4	0006			
C 11	NEG	0010	VR 1	5	0016			
C 11	PDS	0003	VR 1	6	0011			
CR 1	AND	0011	VR 1	7	0004			
CR 1	CAT	0003	VR 1	8	0012			
CR 2	AND	0012	VR 1	9	0013			
CR 2	CAT	0003	VR 1	10	0005			
CR 3	AND	0013	VR 1	11	0014			
CR 3	CAT	0003	VR 1	12	0017			
CR 4	AND	0014	VR 1	13	0008			
CR 4	CAT	0003	VR 1	14	0018			
CR 5	AND	0015	VR 1	15	0019			
CR 5	CAT	0003	VR 1	16	0009			
CR 6	AND	0016	VR 1	17	0020			
CR 6	CAT	0003	VR 1	18	0001			
CR 7	AND	0017	VR 1	19	0002			
CR 7	CAT	0007	XZC608	1	0005			
CR 8	AND	0018	XZC608	2	0026			
CR 8	CAT	0007	XZC608	3	0022			
CR 9	AND	0019	XZC608	9	0009			
CR 9	CAT	0003	XZC608	10	0021			
CR 10	AND	0020	XZC608	11	0022			
CR 10	CAT	0003	XZC608	12	0023			
FCATFC	FK	0022	XZC608	13	0027			
FWATFC	RK	0021	XZC608	14	0005			
POWPEG	R W	0023	XZC608	15	0008			
POWSUP	U	0025						
POWSUP	R	0005						
POWSUP	W	0006	# OF PINS -	98				
POWSLF	BK	0003	END OF LISTING					
POWSLF	BL	0024						
POWSLF	BR	0004						
POWSUP	BKw	0010						
POWSUP	R W	0007						



NETWORK LISTING (TABULAR WIRING DIAGRAM)

TITLE <b>POWER SUPPLY WIRING OF RECEIVER SET VS236 AND VS249</b>			
WIRING DIAGRAM <b>7736WD</b>	ISSUE <b>31</b>	USED ON <b>310850</b>	DATE <b>1-29-70</b> <del>02/06/67</del>
		PAGE <b>1</b>	OF <b>2/5</b>

NET	COMPONENT	PIN
0001	C 1	LFT
0001	VR 1	18
0002	C 1	RGH
0002	VR 1	19
0003	C 6	POS
0003	C 4	POS
0003	**08	C 3 POS
0003	**09	K 2 1
0003	08	CR 3 CAT
0003	08	CR 4 CAT
0003	•••••	C 5 POS
0003	•••••	C 7 POS
0003	•••••	C 9 NEG
0003	•••••	C 10 POS
0003	•••••	CR 9 CAT
0003	•••••	CR 10 CAT
0003	•••••	K 5 1
0003	•••••	C 11 POS
0003	•••••	CR 6 CAT
0003	•••••	CR 5 CAT
0003	•••••	POWSUP BK
0003	•••••	K 3 1
0003	•••••	C 5 EMR
0003	C 2	POS
0003	•••••	K 1 1
0003	CR 1	CAT
0003	CR 2	CAT
0004	POWSUP	BR
0004	C 2	NEG
0004	•••••	VR 1 1
0004	R 1	2
0005	POWSUP	R
0005	C 3	NEG
0005	•••••	VR 1 10
0005	R 2	2
0005	XZC608	14
0005	XZC608	1
0006	POWSUP	K
0006	C 5	NEG
0006	•••••	C 7 NEG
0006	•••••	C 6 NEG
0006	•••••	VR 1 4
0006	C 4	NEG
0006	R 3	2
0007	C 9	POS
0007	C 8	POS

NET	COMPONENT	PIN
0007	•••••	POWSUP R W
0007	•••••	K 4 1
0007	CR 7	CAT
0007	CR 8	CAT
0008	XZC608	15
0008	C 8	NEG
0008	•••••	VR 1 13
0008	•••••	Q 5 COL
0008	R 4	2
0009	XZC608	9
0009	C 10	NEG
0009	•••••	VR 1 16
0009	•••••	Q 6 COL
0009	R 5	2
0010	POWSUP	BKW
0010	C 11	NEG
0010	Q 6	EMR
0011	CR 1	ANO
0011	VR 1	6
0012	CR 2	ANO
0012	VR 1	8
0013	CR 3	ANO
0013	VR 1	9
0014	CR 4	ANO
0014	VR 1	11
0015	CR 5	ANO
0015	VR 1	3
0016	CR 6	ANO
0016	VR 1	5
0017	CR 7	ANO
0017	VR 1	12
0018	CR 8	ANO
0018	VR 1	14
0019	CR 9	ANO
0019	VR 1	15
0020	CR 10	ANO
0020	VR 1	17
0021	POWREG	BKW
0021	XZC608	10



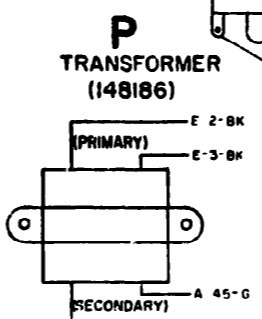
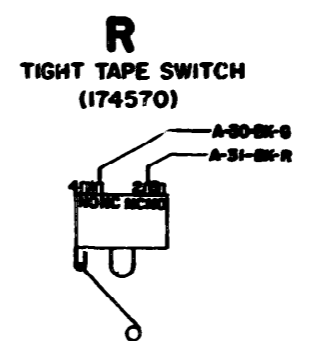
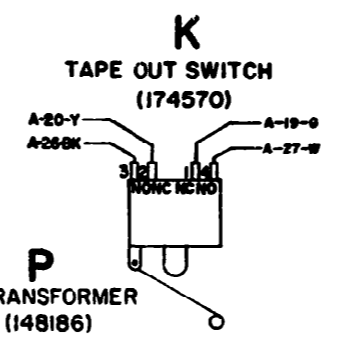
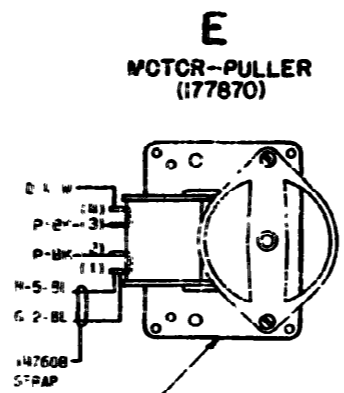
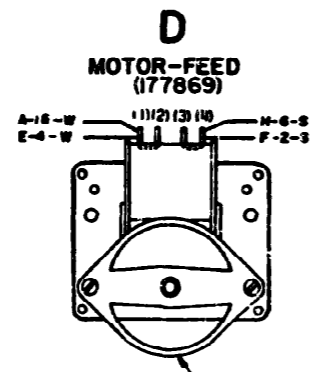
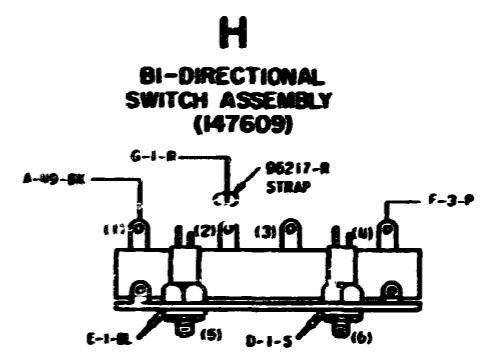
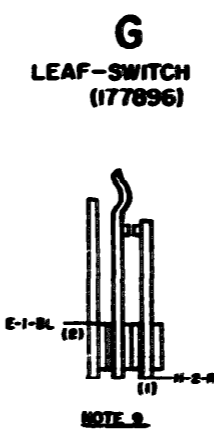
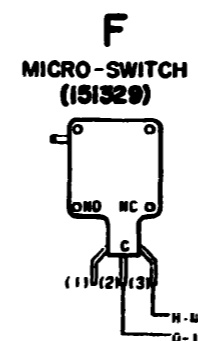
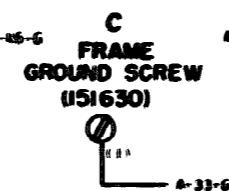
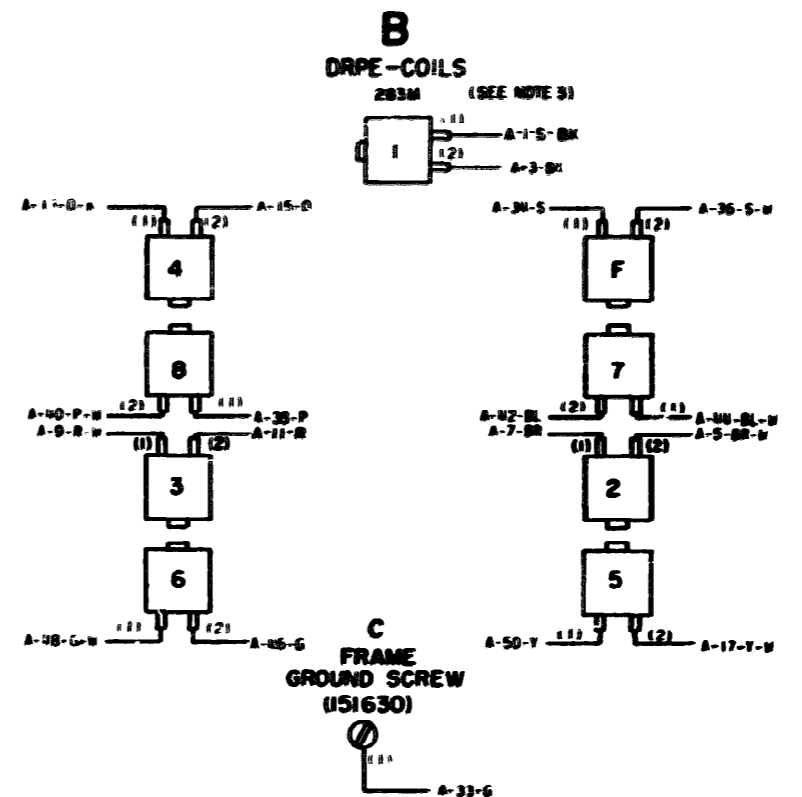
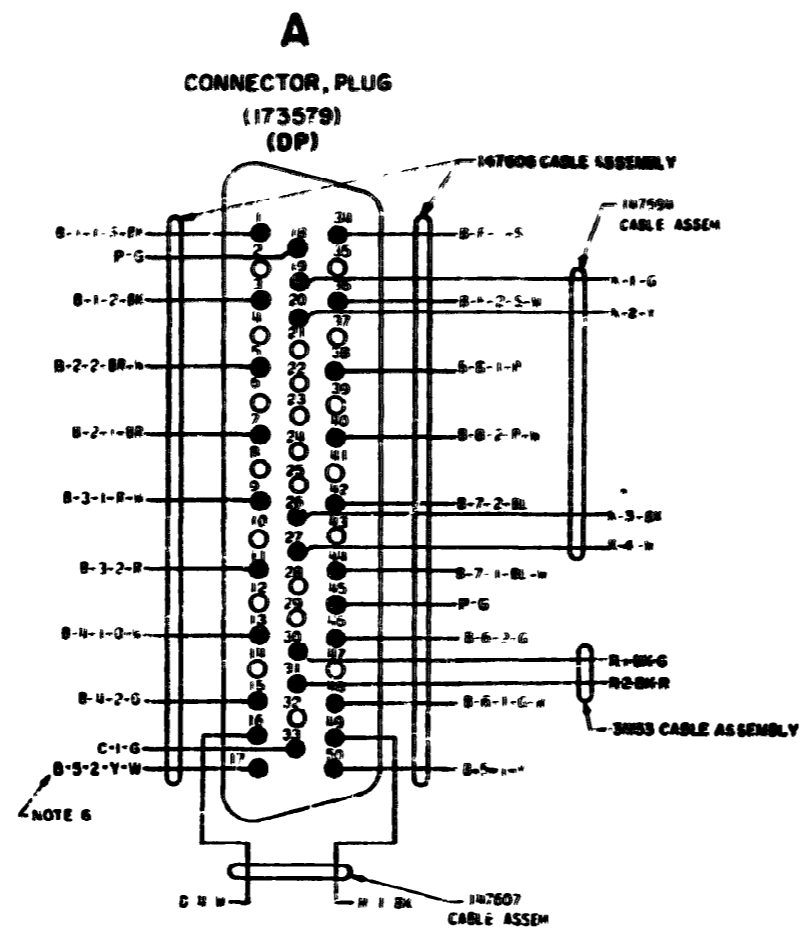
NETWORK LISTING (TABULAR WIRING DIAGRAM)

TITLE <b>POWER SUPPLY WIRING OF RECEIVER SLT VS236 AND US269</b>			
WIRING DIAGRAM <b>7736AD</b>	ISSUE <b>3R</b>	USED ON <b>310850</b>	DATE <b>1-29-70</b> <del>02/05/69</del>
		PAGE	<b>2 OF 2/5</b>

NET	COMPONENT	PIN	NET	COMPONENT	PIN
0022	PWRREG	FK			
0022	XZCE08	11			
0022	XZCE08	3			
0023	PWRREG	R W			
0023	XZC608	12			
0024	PWR SUP	BL			
0024	Vk 1	1			
0025	PWR SUP	U			
0025	VR 1	2			
0026	XZC608	2			
0026	D 6	BAS			
0027	XZCE08	13			
0027	D 5	BAS			
NUMBER OF WIRES - 71					
END OF LISTING					

NO.	NOTE
1	<b>WIRING LEGEND</b> 
2	<b>COLOR CODE</b> BK BLACK      W WHITE BL BLUE        R RED BR BROWN      O ORANGE G GREEN        P PURPLE S SLATE        Y YELLOW
3	NOS 1, 4, F, B AND 7 INDICATE LOWER LEVELS ON DRPE PUNCH NOS 3, 2, 6 AND 5 INDICATE UPPER LEVELS ON DRPE PUNCH
4	USE SLEEVING TO INSULATE WHERE NECESSARY
5	TERMINAL DESIGNATIONS ENCLOSED IN PARENTHESES ARE FOR REFERENCE AND ARE NOT MARKED ON COMPONENT
6	<b>WIRING LEGEND, MAGNETS ONLY</b> 
7	REFER TO 755740 FOR 147608 BI-DIRECTIONAL SW ASSEMBLY.
8	REFER TO 7751 WD FOR SCHEMATIC
9	MOTOR SWITCH/LEAF/TIGHT TAPE SWITCH ARE VIEWED FROM THE REAR.
10	<b>ASSOCIATED CABLES</b> 147608, 147607, 147604, 131133.
11	MOTOR TERMINALS TO BE SOLDERED AFTER ASSEMBLY.

7750 WD		
REVISIONS		
ISSUE	DATE	APPR. NO.
1	3-18-66	17423-R



ACTUAL WIRING DIAGRAM FOR DRPE 807

APPROVALS	
D AND R <i>PK</i>	E OF M <i>U</i>
E-NUMBER	
PROG. NO. 7750 WD	
DATE 3-18-66	
P.D. FILE NO. 3-35.136AA	
DRAWN F.C.S.	CHKD. <i>J.M.</i>
ENGR. R.L.F.	APPR. <i>R.S.</i>
TELETYPE CORPORATION	
7750 WD	



**SUPPLEMENTARY HIGH SPEED TAPE SENDER FOR  
THE MULTIPLE ADDRESS PROCESSING SYSTEM (MAPS)  
SCHEMATIC WIRING DIAGRAMS**

1. GENERAL

1.01 This section provides schematic wiring diagram information, for the supplementary high speed tape sender used in the multiple address processing system.

1.02 A complete listing of the schematic wiring diagrams is presented in the wiring diagram index. The location of each diagram, which is attached as part of this publication, is indicated by its position in the index. The index also lists the subject matter, the current issue, and total number of sheets in each diagram.

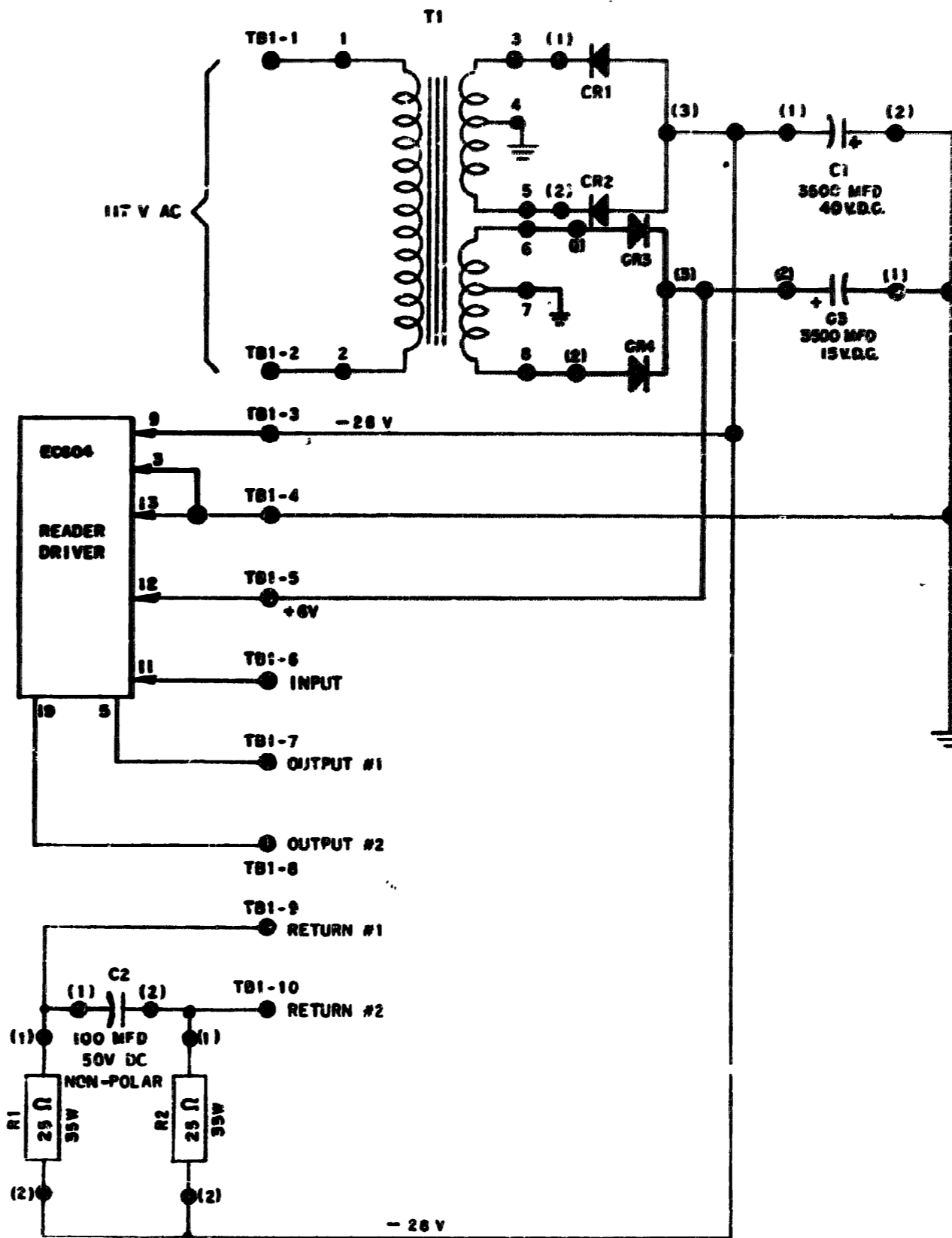
2. WIRING DIAGRAM INDEX

<b>TITLE</b>	<b>DIAGRAM NUMBER</b>	<b>TOTAL CONTROL AND DIAGRAM SHEETS</b>	<b>CONTROL SHEET OR DIAGRAM ISSUE</b>
<b>Schematic Wiring Diagram for DX Driver and Power Supply</b>	<b>6435WD</b>	<b>1</b>	<b>1</b>
<b>Schematic Wiring Diagram for Transmitter Set VS235</b>	<b>7710WD</b>	<b>8</b>	<b>7</b>

- NO. NOTES
1. REFER TO 6436WD FOR ACTUAL WIRING DIAGRAM.
  2. ALL VOLTAGES DC, UNLESS OTHERWISE SPECIFIED.
  3. PARENTHESIS INDICATES TERMINAL DESIGNATIONS FOR REFERENCE ONLY.

6435 WD

ISSUE	DATE	AUTH NO
1	5-14-64	15623-R



SCHMATIC  
WIRING DIAGRAM  
FOR  
DX DRIVER AND  
POWER SUPPLY  
ASSEMBLY NO. 149089

APPROVALS

DESIGNED	BY

PROJ. NO. 6435WD

DATE: 9-25-63

P.D. FILE NO 2-96.134.184A

DRAWN G.M. CHK'D *[Signature]*

ENGR I.B.K. AP'D *[Signature]*

TELETYPE CORPORATION

6435 WD

ISSUE CONTROL RECORD

7710WD

NO. NOTES

SUPPORTING INFORMATION

CONTENTS

SHEET NO.

ISSUE

REVISIONS APPLYING TO THIS CONTROL RECORD

CATEGORY NO.

NOTES

BID LOGIC

NUMBER DELETE

STEP-READ

ALARM LOGIC

CABINET POWER DISTRIBUTION

READER ASSEMBLY

2 3 4 5 6 7 8 9 10 11 12 13 14 15 16 17 18 19

ISSUE	DATE	APPL. NO.
1	1-21-65	MS01-B
2	2-17-65	6028D
3	3-14-65	6028B
4	4-4-67	5902B
5	10-20-67	6278A
6	1-21-69	5902B
7	4-2-69	6111

ISSUE CONTROL SHEET 1 OF 1

SCHEMATIC WIRING DIAGRAM FOR TRANSMITTER SET V9235

DRAWN N.A.R. CHKD. B.F.D. ENG'D E.J.K. APP'D. B.B.S.

TELETYPE CORPORATION

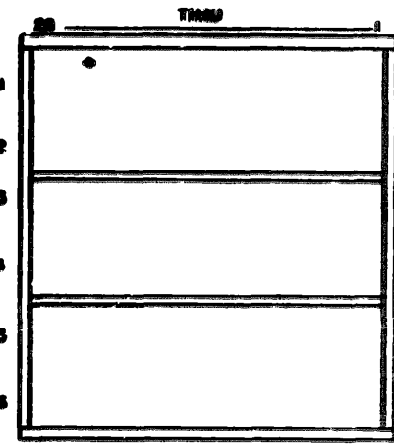
7710WD

# 7710 WD

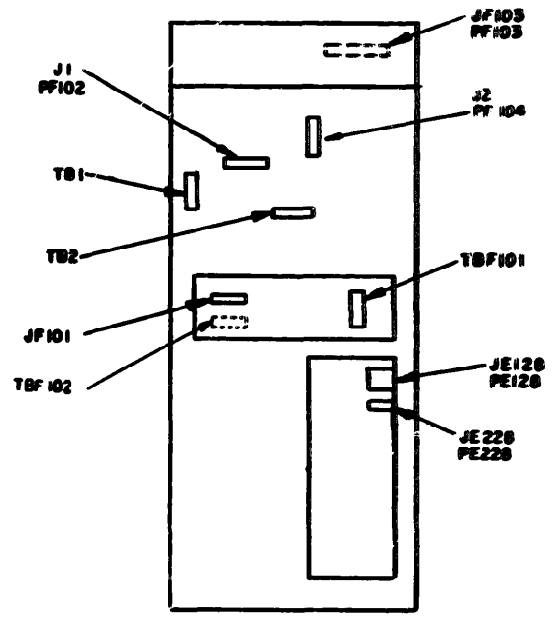
REVISIONS		
ISSUE	DATE	AUTH. NO.
1	1-21-65	9894-R
2	2-21-66	98299
3	10-30-67	98752-A
4	1-21-69	98245
5	4-15-69	98113

NOTE: REVISION INFORMATION MUST ALSO BE REFLECTED ON THE ISSUE CONTROL RECORD WHICH IS A PART OF THIS DRAWING.

NOTE: REVISION INFORMATION MUST ALSO BE REFLECTED ON THE ISSUE CONTROL RECORD WHICH IS A PART OF THIS DRAWING.



COORDINATE SYSTEM VIEWED FROM WIRING SIDE



CONNECTOR LOCATION IN SUPPLEMENTARY CABINET VIEWED FROM REAR V8235

SEE ISSUE CONTROL RECORD FOR COMPLETE LIST OF SHEETS COMPRISING THIS SHEET 1

## SCHEMATIC WIRING DIAGRAM FOR TRANSMITTER SET V8235

### APPROVALS

D AND R <i>[Signature]</i>	E OF M <i>[Signature]</i>
-------------------------------	------------------------------

E-NUMBER  
 PROD. NO. 7710WD  
 DATE 12-4-65  
 P.D. FILE NO. 38-A2/85AA  
 DRAWN N.A.R. CHKD J.L.  
 ENGD. E.J.H. APPD. J.H.

# TELETYPE CORPORATION

## 7710 WD

NOTES	NOTES
1. ALL VOLTAGES DC UNLESS OTHERWISE SPECIFIED.	20. THE HALF ARROWS (⇄) TO A DIGITAL POTTED MODULE CIRCUIT INDICATE THAT CIRCUIT IS SENSITIVE TO A VOLTAGE OR CURRENT LEVEL AT THAT INPUT.
2. TERMINAL DESIGNATIONS ENCLOSED IN PARENTHESES ( ) ARE FOR REFERENCE AND ARE NOT MARKED ON COMPONENT.	21. THE FULL ARROW (→) INPUT TO A DIGITAL POTTED MODULE CIRCUIT INDICATES THAT CIRCUIT IS SENSITIVE TO A VOLTAGE CHANGE OR A PULSE AT THAT INPUT.
3. ALL RESISTORS 1/2 WATT AND RESISTANCE VALUES IN OHMS, UNLESS OTHERWISE SPECIFIED.	22. LAMP COLORS ARE CLEAR UNLESS OTHERWISE INDICATED.
4. ALL CAPACITANCE VALUES IN MICRO-FARADS.	23. WHEN 36 PIN CARDS ARE USED, TWO ARE PLACED IN ONE 36 PIN CARD CONNECTOR. THE ACTUAL WD INDICATES ONLY ONE LOCATION NUMBER FOR THE ENTIRE 36 PIN CONNECTOR. THIS SCHEMATIC WD DESIGNATES A POSITION FOR EACH CARD. EC ZE103 ON ACTUAL SHOULD BE ZE103 AND ZE103 0 SCHEMATIC. DEPENDING ON LOCATION SEE MODULE CO-ORDINATE SYSTEM.
5. COMPONENTS ENCLOSED IN SOLID SQUARE LINES ARE PRESENTED FOR REFERENCE ONLY. A COMPLETE SCHEMATIC OF THESE COMPONENTS IS AVAILABLE AT THE WD OR AREA INDICATED.	24. CERTAIN LOGIC SYMBOLS USED ON THIS WIRING DIAGRAM DO NOT CONFORM TO TELETYPE DESIGN STANDARDS. THE SYMBOLS ARE EXPLAINED ON THE RESPECTIVE CIRCUIT CARD DRAWINGS.
6. DASHED --- SINGLE LINE ENCLOSED COMPONENTS INDICATES ONE CARD OR ASSEMBLY LOCATION FOR ALL THE ENCLOSED COMPONENTS.	25. ALL SIGNAL AND VOLTAGE LINES TERMINATED AT JF101 IN THE SUPPLEMENTARY TRANSMITTER CABINET, (V8235), ARE CONNECTED TO THE MASTER CABINET, (V8235) VIA AN INTERCONNECTING CABLE. THESE SIGNAL AND VOLTAGE LINES ENTER THE MASTER CABINET AT ANY ONE OF FIVE CONNECTORS (JF101, JF102, JF103, JF104, OR JF105). THE CONNECTOR USED IS DEPENDENT UPON THE NUMBER OF SUPPLEMENTARY CABINETS USED WITH THE MASTER CABINET.
7. THE FOLLOWING CIRCUIT CARDS ARE LOCATED IN THE FOLLOWING POSITIONS:  <u>MODULE-E</u>  ZE102 172366 ZE103 305660 ZE104 148248 ZE105 305667 ZE106 305719 ZE110 305666 ZE112 - ZE114 303685 ZE116 - ZE118 - ZE202 303117 ZE205 148242 ZE206 148248	26. THE FOLLOWING FROM-TO CONNECTIONS ARE MADE: PROVIDED IN THE CABINET CABLE
8. WIRING CIRCUITS AVAILABLE: ZE405 K4 ZE205 K1 ZE105 K1, K2 ZE105 305666 ZE110 305667 ZE114 303685 ZE116 305666 ZE118 305666 ZE205 303117 ZE206 148248	27. FROM TO PF102-20 TBF102-7 PF103-2 TBF102-7 PF103-4 TBF102-7 PF103-8 TBF102-7 PF102-21 TBF102-7 PF103-3 TBF102-7 PE128-H6 TBF102-8 PE128-H7 TBF102-8 PE128-H5 TBF102-8 PE128-H4 TBF102-8
9. THE RESISTANCE OF ALL RELAY COILS IS IN OHMS.	28. ON ISSUE 3, THE BD CONNECTION SHOWN BY DASHED LINE ON ZE12, EC686, PIN 832 WAS PRESENT AND THE ON LINE CONNECTION WAS ABSENT.
10. REFER TO SPECIFICATION 610788 OR TELETYPE BULLETIN 982-951-730 FOR THERMISTOR CIRCUIT ADJUSTMENT.	29. ON ISSUE 4, THE CIRCUIT COMMON CONNECTION SHOWN BY DASHED LINE ON ZE112, EC686, PIN A30 WAS PRESENT AND THE BD CONNECTION WAS ABSENT.
11. → INDICATES FEMALE AND ← INDICATES MALE TERMINAL ON CONNECTOR INDICATED.	
12. ALL REVISION INFORMATION IS REFLECTED ON THE ISSUE CONTROL RECORD.	
13. INDUCTANCE VALUE IN MICROHENRIES	
14. FOR ACTUAL WIRING DIAGRAMS REFER TO: MODULE E 7710WD SUPPLEMENTARY CABINET 7710WD SUPPLEMENTARY CONTROL PANEL 7710WD TAPE TRANSPORT 7712WD RX READER 6532WD DX DRIVER 6435WD	
15. SWITCHES ARE GANGED TOGETHER.	
16. -12VOLTS IS AT THIS POINT WHEN THE MASTER TRANSMITTER POWER IS ON.	
17. CROSS REFERENCE LEGEND: 5-B2 A LEAD DESIGNATION WHEN NEEDED CO-ORDINATE LOCATION SHEET NUMBER	
18. ▽ INDICATES LAMP COMMON ▽ INDICATES CIRCUIT COMMON THESE ARE CONNECTED TOGETHER IN THE 310860 POWER SUPPLY (7716 WD SHEET 8)	
19. ONLY THE CONNECTORS ARE INDICATED WHEN THE PLUG HAS THE SAME DESIGNATION EXCEPT THE J... IS REPLACED WITH A P... THE PIN NUMBERS REMAIN THE SAME ON BOTH CONNECTORS.	

SEE SHEET 1 FOR NO

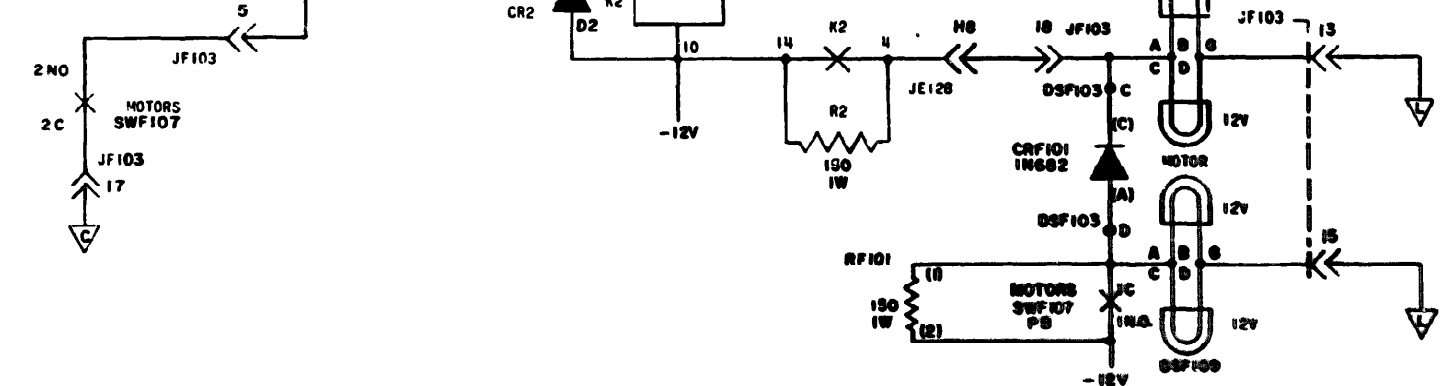
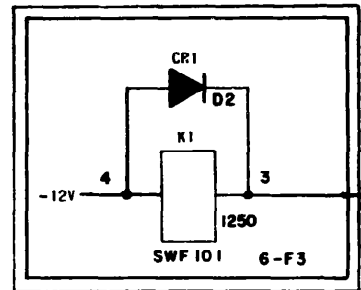
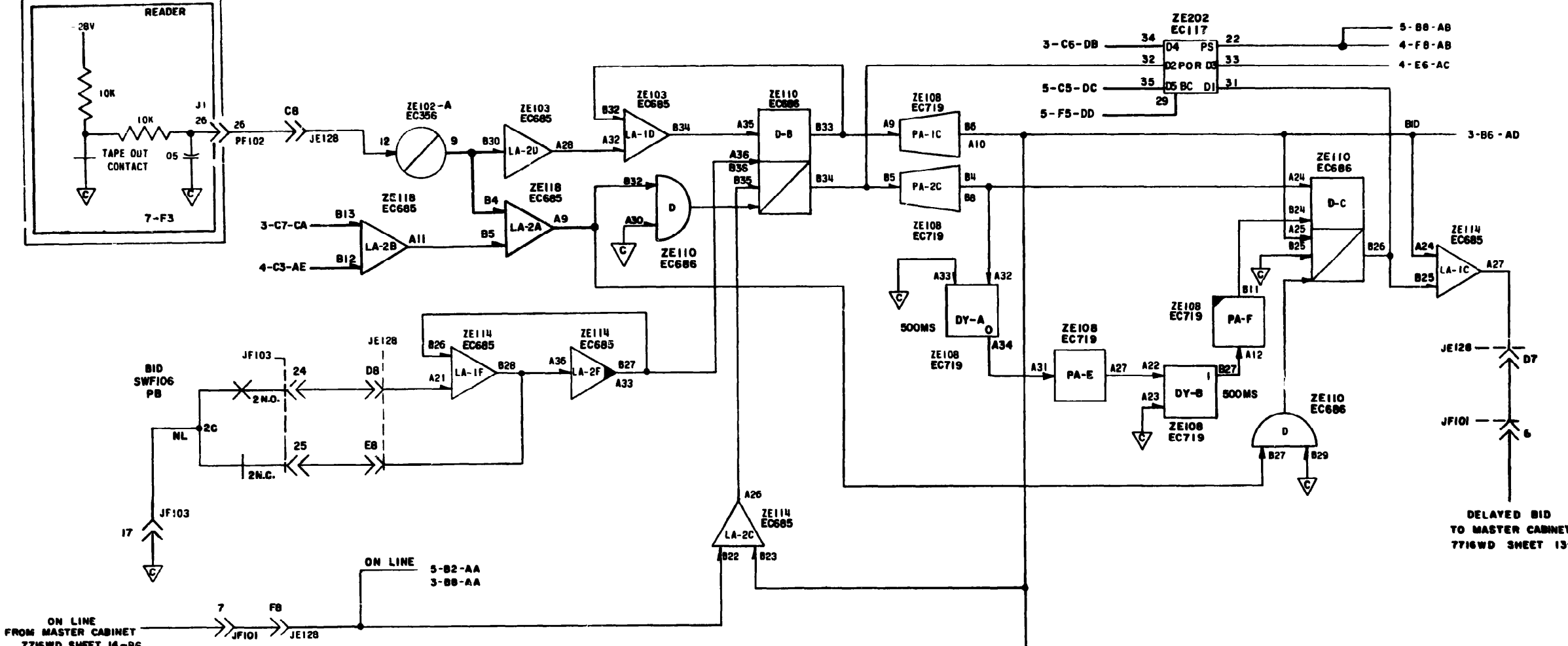
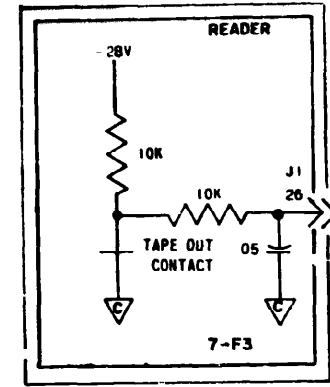
BID LOGIC MOD. E

NOTES REVISION INFORMATION MUST ALSO BE REFLECTED ON THE ISSUE CONTROL RECORD WHICH IS A PART OF THIS DRAWING.

7710 WD

REVISIONS

ISSUE	DATE	AUTH. NO.
1	1-21-66	15984-R
2	2-17-66	90295
3	1-21-69	98245



DELAYED BID TO MASTER CABINET 7716WD SHEET 13-C2

SEE ISSUE CONTROL RECORD FOR COMPLETE LIST OF SHEETS COMPRISING THIS WD

SHEET 2

SCHEMATIC WIRING DIAGRAM FOR TRANSMITTER SET VS235

APPROVALS

D AND R	E OF W
<i>[Signature]</i>	<i>[Signature]</i>

E-NUMBER

PROD. NO. 7710WD

DATE 11-27-65

P.D. FILE NO. 38-A2/65AA

DRAWN A.D. *[Signature]*

ENGR. E.J.H. *[Signature]*

TELETYPE CORPORATION

7710 WD

SEE SHEET 1 FOR NOTES

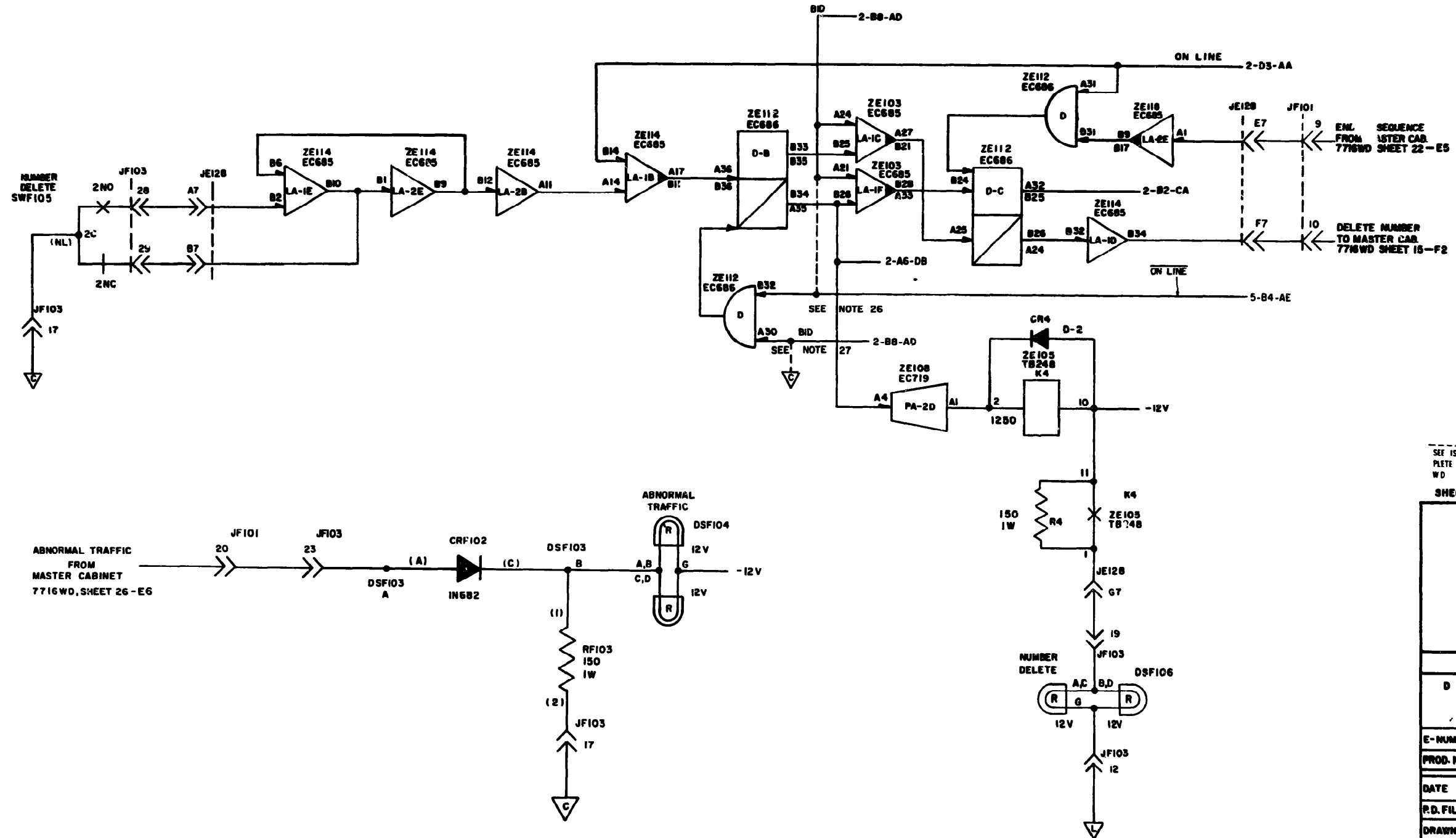
### NUMBER DELETE MOD. E

NOTES:  
REVISION INFORMATION MUST  
ALSO BE REFLECTED ON THE  
ISSUE CONTROL RECORD  
WHEN IS A PART OF THIS DRAWING

## 7710 WD

### REVISIONS

ISSUE	DATE	AUTH. NO.
1	1-21-66	18804-R
2	2-17-66	90299
3	3-14-66	90303
4	1-21-68	98243
5	4-16-69	99113



SEE ISSUE CONTROL RECORD FOR COMPLETE LIST OF SHEETS COMPRISING THIS W D

SHEET 3

SCHEMATIC  
WIRING DIAGRAM  
FOR  
TRANSMITTER SET  
VS235

### APPROVALS

D AND R	E OF M
---------	--------

E-NUMBER

PROD. NO. 7710 WD

DATE 11-24-65

P.D. FILE NO. 38-A2/65AA

DRAWN A. D.

CHKD.

ENGD. E. J. H.

APPD.

TELETYPE  
CORPORATION

## 7710 WD

STEP-READ MOD. E

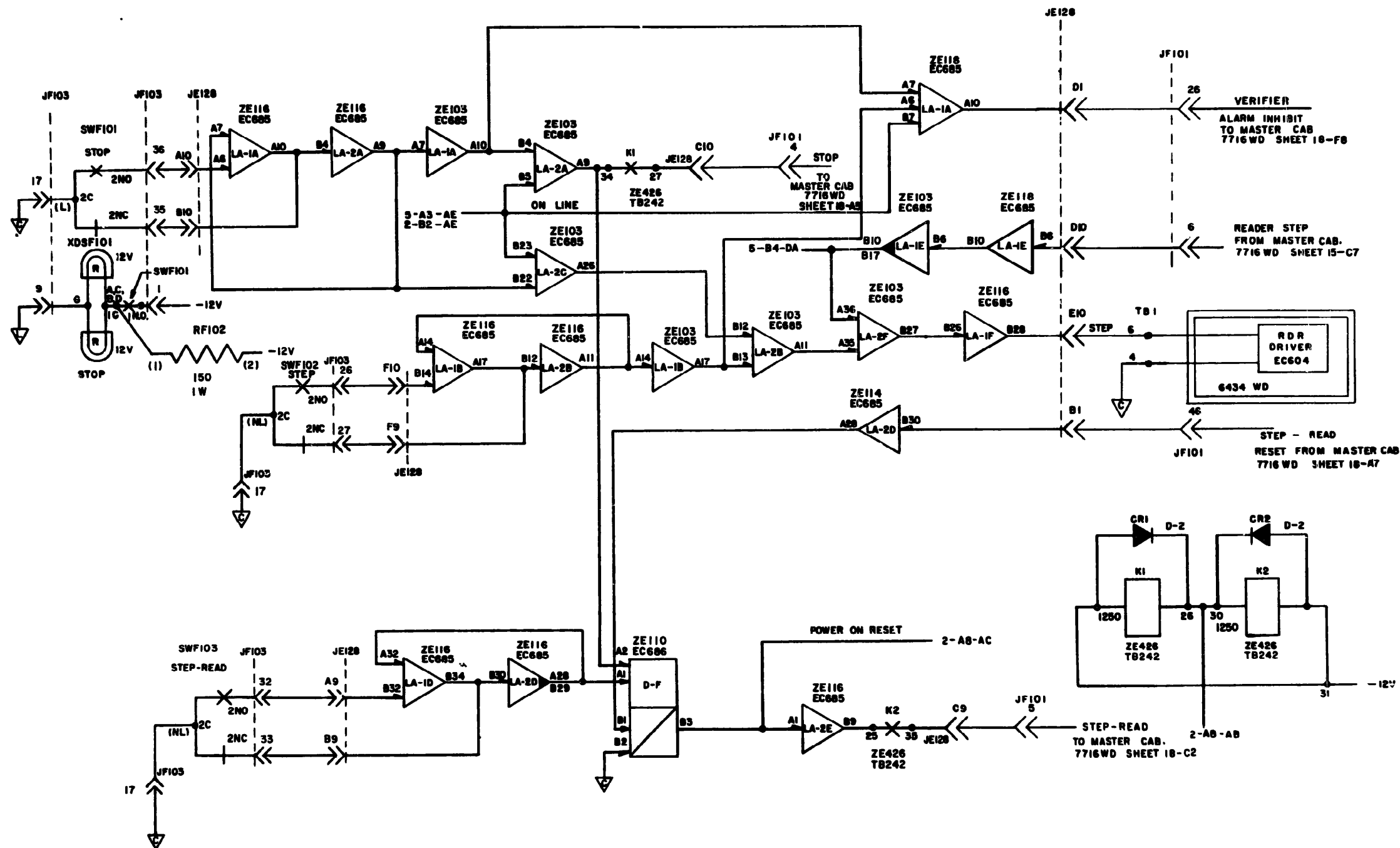
SEE SHEET 1 FOR NOTES

NOTES:  
REVISION INFORMATION MUST ALSO BE REFLECTED ON THE ISSUE CONTROL RECORD, WHICH IS A PART OF THIS DRAWING

7710 WD

REVISIONS

ISSUE	DATE	AUTH. NO.
1	1-21-66	16994-R
2	2-17-66	90299



SEE ISSUE CONTROL RECORD FOR COMPLETE LIST OF SHEETS COMPRISING THIS WD. SHEET 4

SCHEMATIC WIRING DIAGRAM FOR TRANSMITTER SET VS235

APPROVALS

D AND R <i>[Signature]</i>	E OF M <i>[Signature]</i>
-------------------------------	------------------------------

E-NUMBER  
 PROD. NO. 7710  
 DATE 11-24-65  
 R.D. FILE NO. 38-A2/65AA  
 DRAWN A.D. CHD.  
 ENGR. E.J.H. APPD.

TELETYPE CORPORATION

7710 WD

SEE SHEET 1 FOR NOTES.

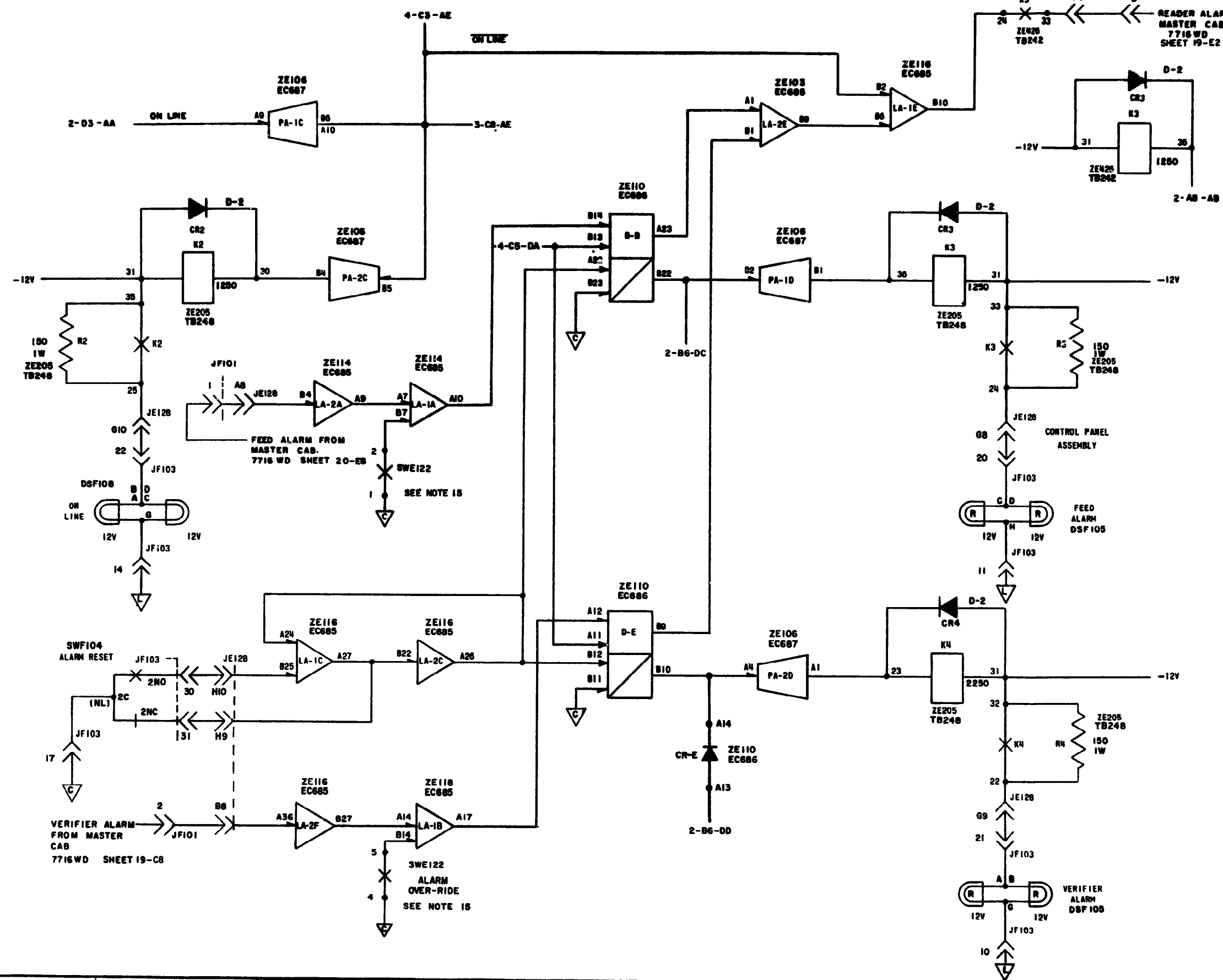
### ALARM LOGIC

NOTE  
REVISION INFORMATION MUST ALSO BE  
REFLECTED ON THE ISSUE CONTROL REC-  
ORD WHICH IS A PART OF THIS DRAWING

## 7710 WD

#### REVISIONS

ISSUE	DATE	AUTH. NO.
1	1-21-66	18984-R
2	2-17-66	90299
3	1-21-69	98245



SEE ISSUE CONTROL RECORD FOR COMPLETE LIST OF SHEETS COMPRISING THIS WD

SHEET 5

SCHEMATIC  
WIRING DIAGRAM  
FOR  
TRANSMITTER SET  
V5235

APPROVALS

D AND R <i>[Signature]</i>	E OF M <i>[Signature]</i>
-------------------------------	------------------------------

E-NUMBER  
PROD. NO. 7710 WD  
DATE 11-27-65  
P.D. FILE NO. 38-A2/65AA  
DRAWN A-D. *[Signature]* CHKD. *[Signature]*  
ENGR. E.J.H. APPD. *[Signature]*

TELETYPE  
CORPORATION

## 7710 WD



SEE SHEET 1 FOR NOTES

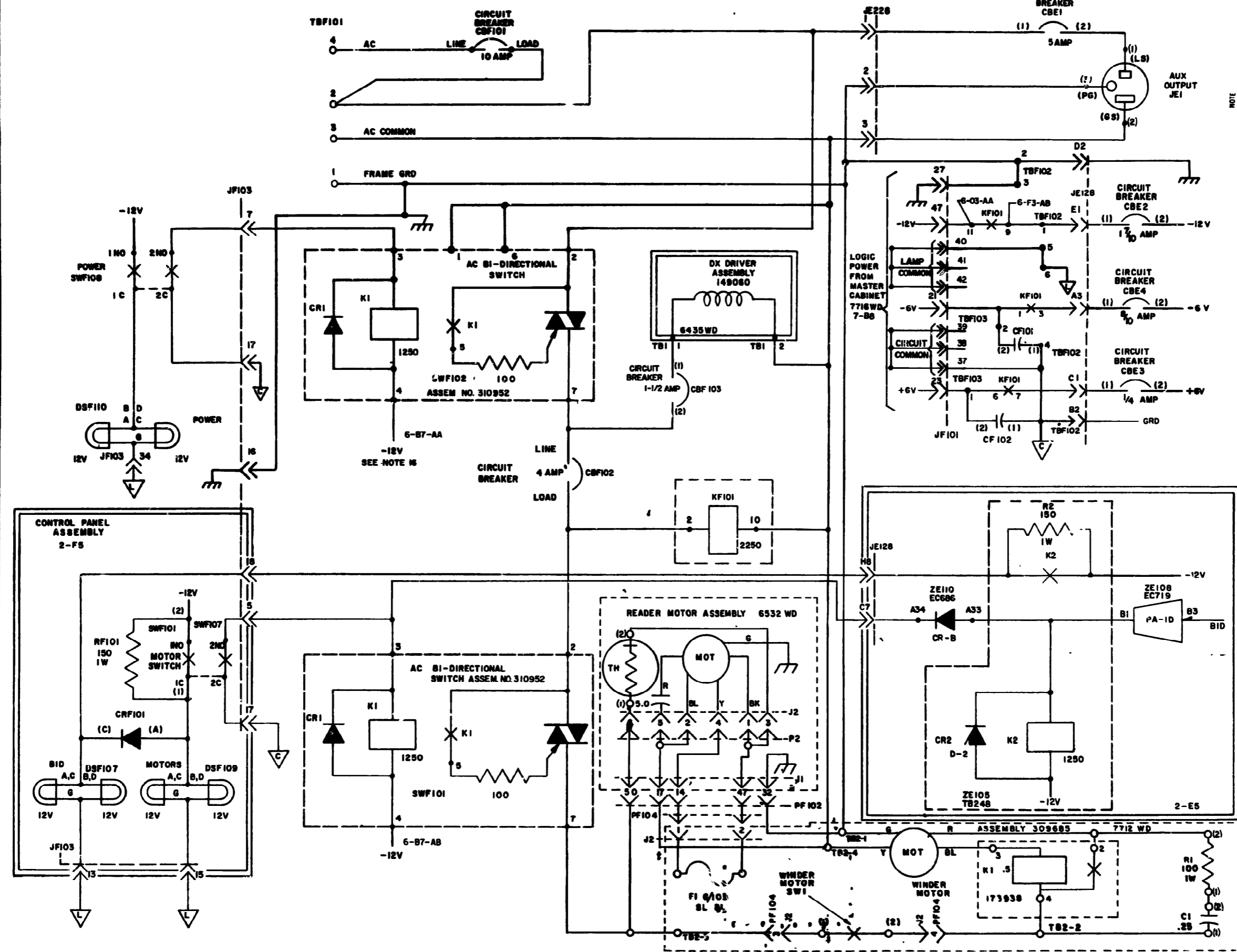
### CABINET POWER DISTRIBUTION

## 7710 WD

#### REVISIONS

ISSUE	DATE	AUTH. NO.
1	1-21-66	16984-R
2	2-17-66	90299
3	4-4-67	89088
4	10-30-67	94782-A

NOTE: REVISION INFORMATION MUST ALSO BE REFLECTED ON THE ISSUE CONTROL RECORD WHICH IS A PART OF THIS DRAWING.



SEE ISSUE CONTROL RECORD FOR COMPLETE LIST OF SHEETS COMPRISING THIS WD SHEET 6

**SCHEMATIC WIRING DIAGRAM FOR TRANSMITTER SET VS235**

#### APPROVALS

D AND R: *ARK* E OF M: *L*

E-NUMBER

PROD. NO. 7710 WD

DATE 12-6-65

P.D. FILE NO. 38-A2/65AA

DRAWN W.O. CHND

ENGD E.J.H. APPD

**TELETYPE CORPORATION**

## 7710WD

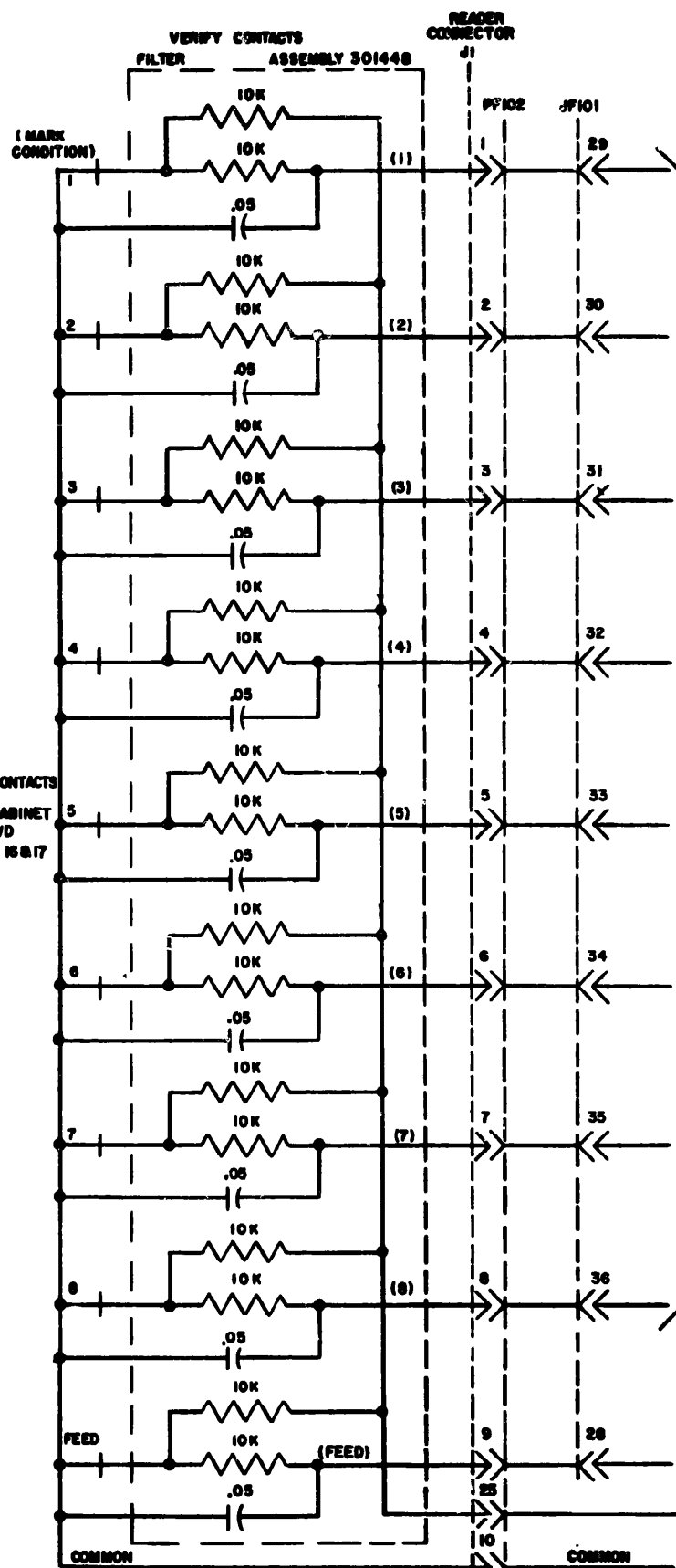
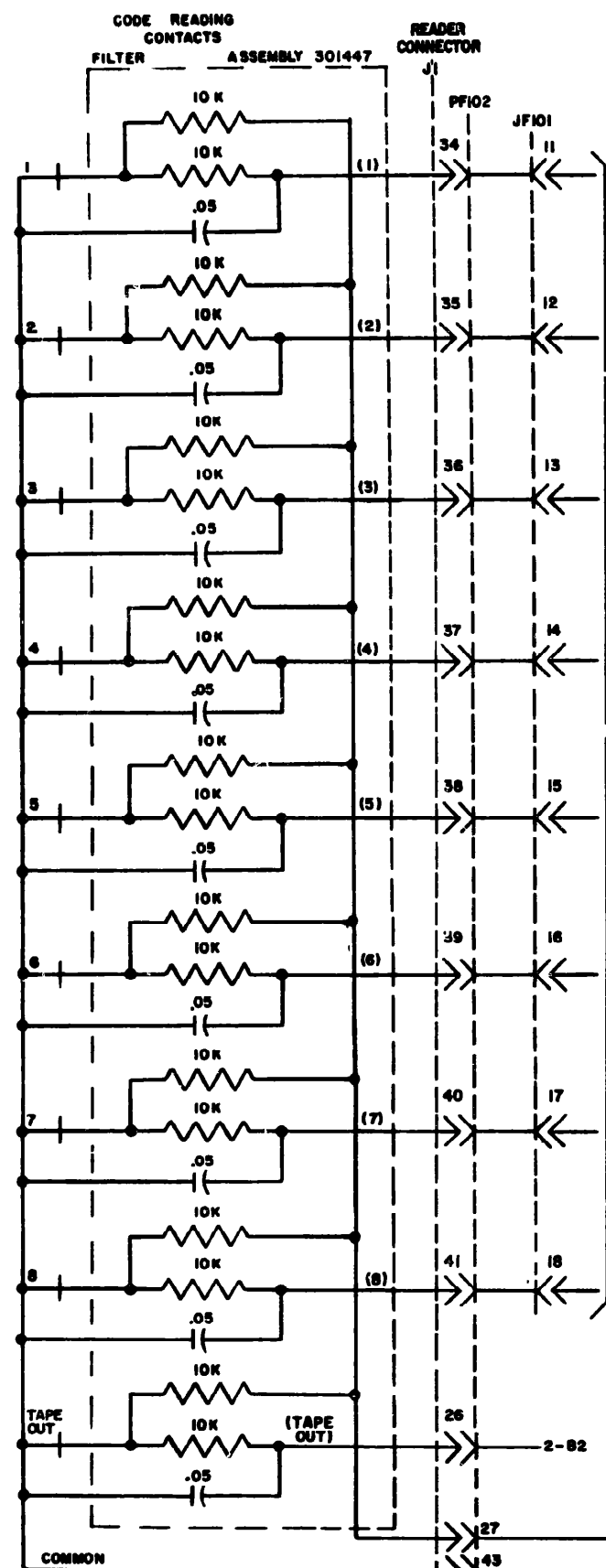
SEE SHEET 1 FOR NOTES.

NOTES:  
REVISION INFORMATION MUST  
ALSO BE REFLECTED ON THE  
ISSUE CONTROL RECORD.  
THIS IS A PART OF THIS DRAWING

# 7710 WD

## REVISIONS

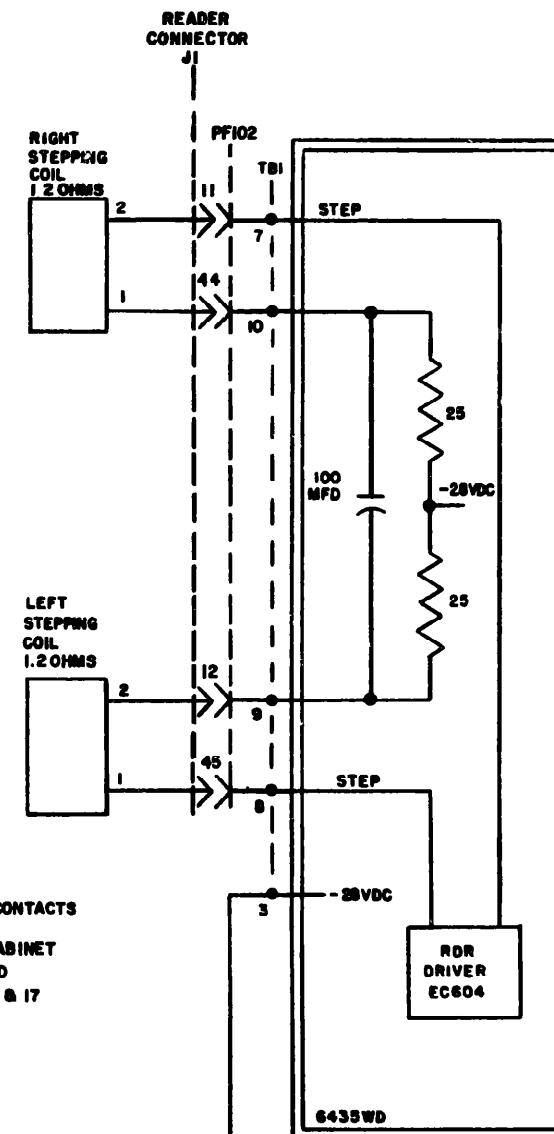
ISSUE	DATE	AUTH. NO.
1	1-21-66	16984-R



READER CONTACTS  
TO MASTER CABINET  
7716WD  
SHEETS 16 & 17

VERIFIER CONTACTS  
TO MASTER CABINET  
7716 WD  
SHEETS 16 & 17

FEED CONTACT  
TO MASTER CABINET  
7716 WD SHEET 20



USE ISSUE CONTROL RECORD FOR COMPLETE  
LIST OF SHEETS COMPRISING THIS WD

SHEET 7

SCHEMATIC  
WIRING DIAGRAM  
FOR  
TRANSMITTER SET  
V3235

### APPROVALS

D AND R <i>HJK</i>	E OF M <i>LS</i>
-----------------------	---------------------

E-NUMBER

PROD. NO. 7710WD

DATE 12-6-65

P.D. FILE NO. 38-A2/65AA

DRAWN N A R

ENGR. E. J. H.

CHECKED

APPROVED

TELETYPE  
CORPORATION

# 7710 WD

**SUPPLEMENTARY HIGH SPEED TAPE SENDER FOR  
THE MULTIPLE ADDRESS PROCESSING SYSTEM (MAPS)**

**CIRCUIT CARDS**

1. GENERAL

1.01 This section provides circuit card information for the supplementary high speed tape sender circuitry, used in the removable logic assemblies on the multiple address processing system.

1.02 The following information can be found on each circuit card diagram: physical component layout, schematic of the circuit card,

circuit description, wiring symbols, and bill of material. Notes are included on the diagrams to explain the symbols used, and point out special conditions.

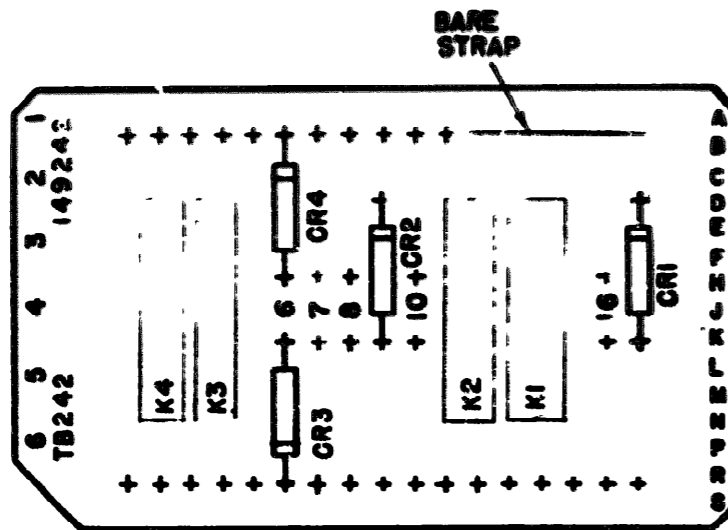
1.03 The circuit cards are identified by two numbers; one is a six digit part number, the other is a three digit EC number (certain terminal board cards have a TB number). In either case the three digit number is identical to the last three-digits of the six digit part number.

2. WIRING DIAGRAM INDEX

TITLE	DIAGRAM NUMBER	TOTAL CONTROL AND DIAGRAM SHEETS	CONTROL SHEET OR DIAGRAM ISSUE
TERMINAL BOARD TB242	149242	1	4
TERMINAL BOARD TB248	149248	1	1
CIRCUIT BOARD EC356	172356	1	4
CIRCUIT BOARD EC117	303117	1	4
CIRCUIT BOARD EC685	303685	1	1
CIRCUIT BOARD EC686	303686	1	1
CIRCUIT BOARD EC687	303687	1	1
CIRCUIT BOARD EC719	303719	1	1

TB 242

149242



ALPHA NUMERIC CONNECTION CHART		
STAMPING ON CIRCUIT BOARD	NUMERICAL CONNECTION FOR 15 FT. CARDS WHEN USED WITH 26 FT. CONNECTOR	
	WHEN INSERTED INTO UPPER HALF OF COLLECTOR OF CONNECTOR	WHEN INSERTED INTO LOWER HALF OF COLLECTOR OF CONNECTOR
1	22	22
2	23	23
3	24	24
4	25	25
5	26	26
6	27	27
7	28	28
8	29	29
9	30	30
10	31	31
11	32	32
12	33	33
13	34	34
14	35	35
15	36	36

306978

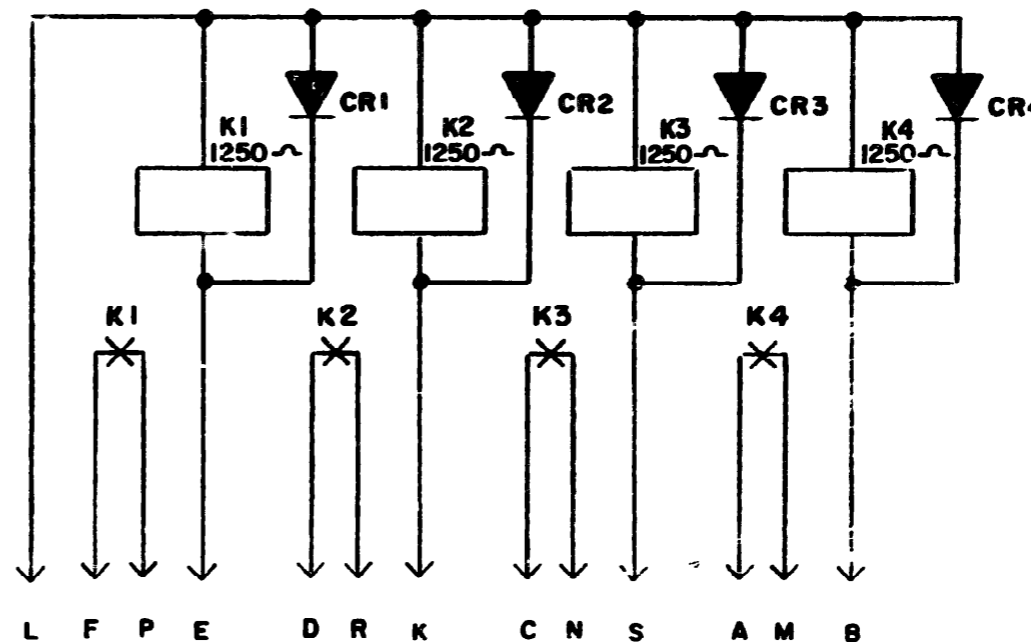
NOTE:  
REFER TO 5016WD FOR MARKING INFORMATION

REF DESIGN	TELETYPE PART NO.	TOTAL QTY.	NAME AND DESCRIPTION
K1	306843	4	RELAY, REED (FORM A) 12 VOLT
K2			SAME AS K1
K3			SAME AS K1
K4			SAME AS K1
CR1	177108	4	DIODE, D2
CR2			SAME AS CR1
CR3			" " "
CR4			" " "
TB	306978	1	CIRCUIT CARD, ETCHED
		1	STRAP 24 AWG BARE WIRE

TERMINAL BOARD TB 242

149242

REVISIONS		
ISSUE	DATE	AUTH NO
1	4-24-65	16284-R
2	5-24-65	187501
3	10-12-65	188568
4	2-10-66	189449



WDP

APPROVALS

D AND R: *HAK*  
E OF M: *[Signature]*

E-NUMBER  
PROD NO 149242

DATE 2-1-65  
PD FILE NO 44-A25AA  
DRAWN W O CHKD  
ENGD R.H.K. APPD

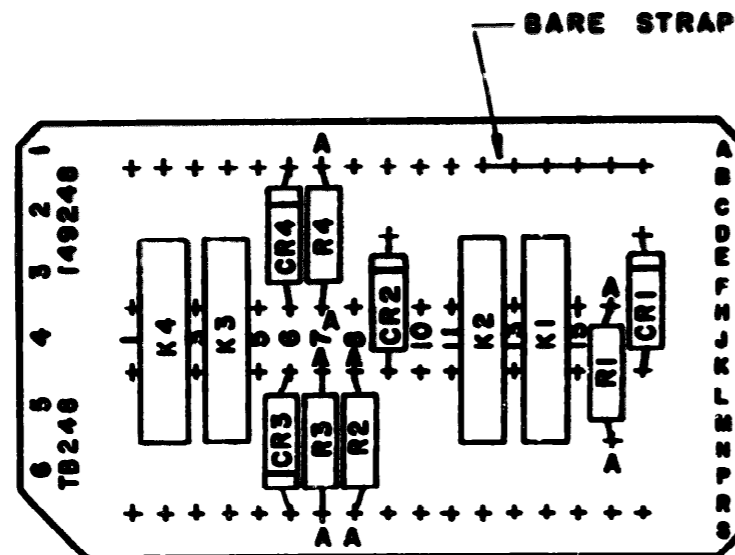
TELETYPE CORPORATION

149242

NOTE:  
CARD CONNECTIONS ARE REPRESENTED BY LETTERS  
TEST POINTS ARE REPRESENTED BY NUMBERS

TB248

149248



WIRE GAUGE	18 FT. GAGE AND USE
CHECK	IN ORDER ONLY IN ORDER ONLY
...	...

306978 ETCHED CIRCUIT BOARD

NOTE:  
A-HOLES TO BE REDRILLED TO .068 DIA. (8 PLS)

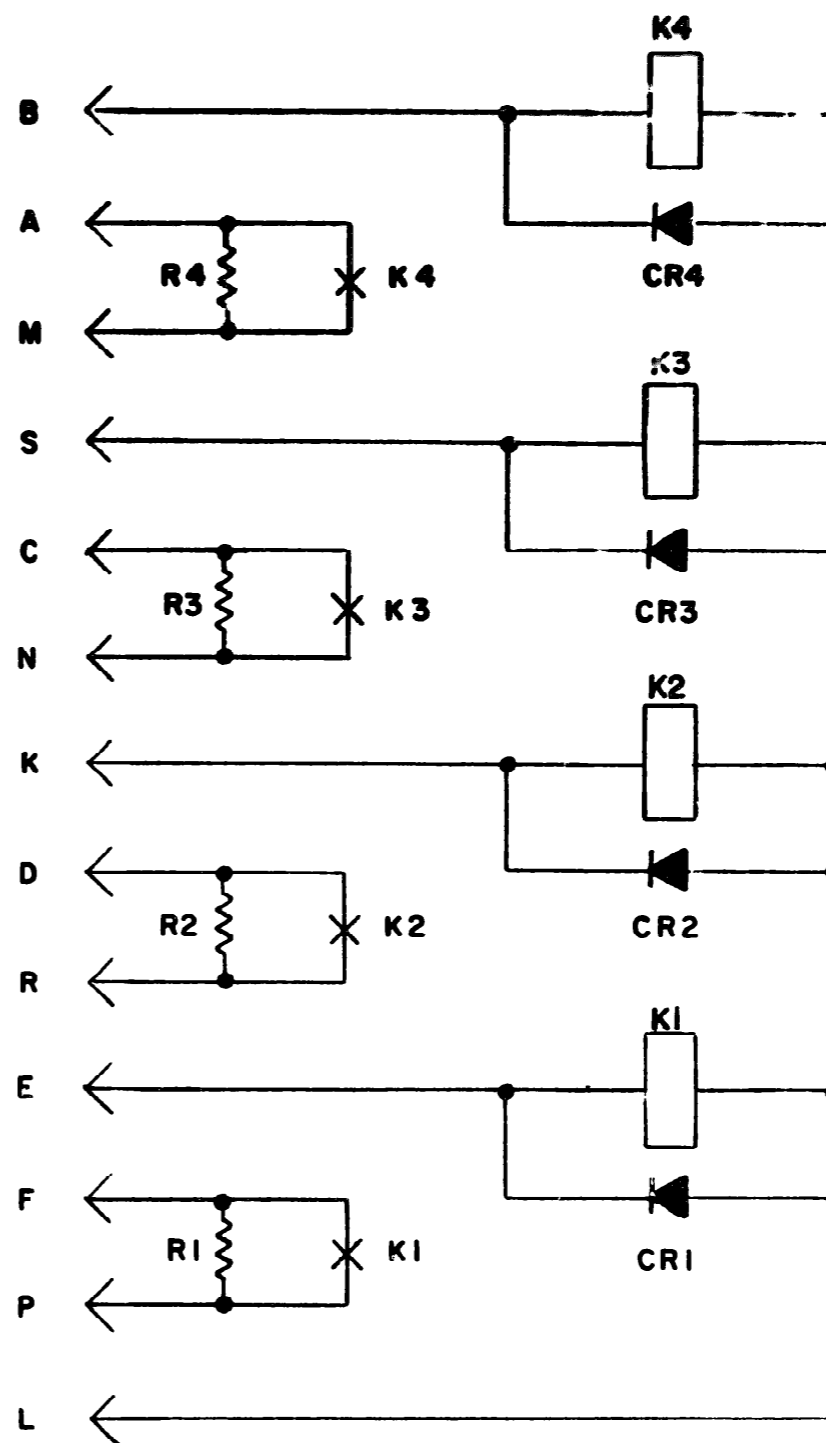
NOTE:  
REFER TO 5016WD FOR MARKING INFORMATION

REF. DESIGN	TELETYPE PART NO.	TOTAL QTY	NAME AND DESCRIPTION
K1	306843	4	RELAY, REED MAKE, 12 VOLTS
K2			SAME AS K1
K3			SAME AS K1
K4			SAME AS K1
CR1	177108	4	DIODE D2
CR2			SAME AS CR1
CR3			SAME AS CR1
CR4			SAME AS CR1
R1	310988	4	RESISTOR, FIXED 150 OHMS, 1 W.
R2			SAME AS R1
R3			SAME AS R1
R4			SAME AS R1
		1	STRAP, 24 AWG BARE WIRE
TE	306978	1	ETCHED CIRCUIT BOARD

TERMINAL BOARD TB248

149248

REVISIONS		
ISSUE	DATE	AUTH NO
1	7-21-66	161921



NOTE:  
CARD CONNECTIONS ARE REPRESENTED BY LETTERS  
TEST POINTS ARE REPRESENTED BY NUMBERS

WDP

APPROVALS

D AND R	E OF M
<i>[Signature]</i>	<i>[Signature]</i>

E-NUMBER

PROD NO. 149248

DATE 5-11-65

PD FILE NO 33-A2/65AA

DRAWN WO    CHKD    *[Signature]*

ENGD RHK    APPD    *[Signature]*

TELETYPE CORPORATION

149248

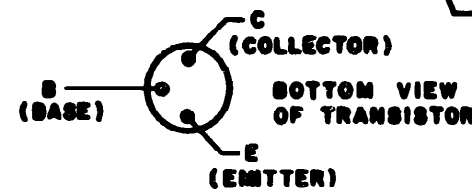
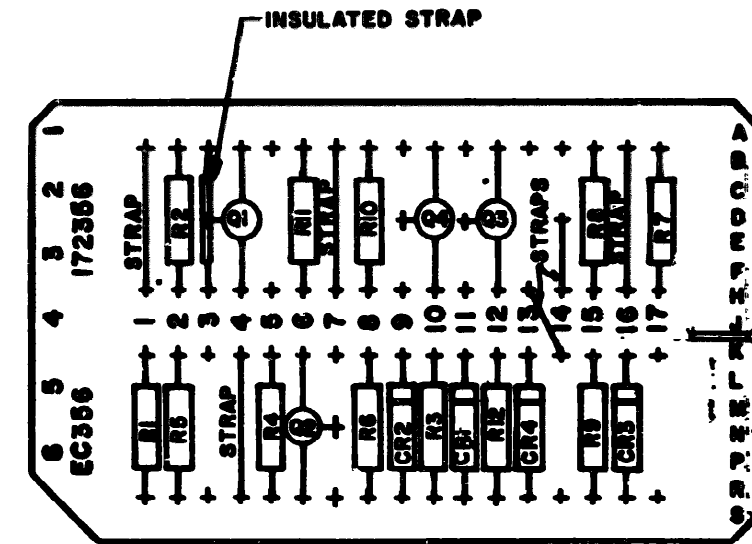
EC356

172356

INHIBIT GATE (4)

CIRCUIT BOARD EC356

172356



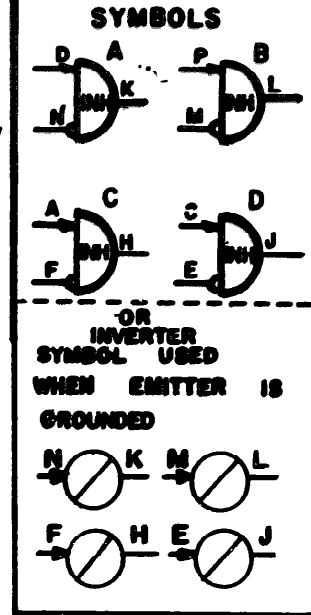
NOTE:  
REFER TO 3046WD FOR MARKING AND MFG. INFORMATION

ALPHA NUMERIC CONVERSION CHART		
STAMPING ON CIRCUIT BOARD	NUMERICAL CONVERSION FOR 15 PT. CARDS WHEN USED WITH 36 PT. CONNECTOR	
	LOWER INSERTED IN UPPER HALF OF CONNECTOR	UPPER INSERTED IN LOWER HALF OF CONNECTOR
A	1	22
B	2	23
C	3	24
D	4	25
E	5	26
F	6	27
G	7	28
H	8	29
I	9	30
J	10	31
K	11	32
L	12	33
M	13	34
N	14	35
O	15	36

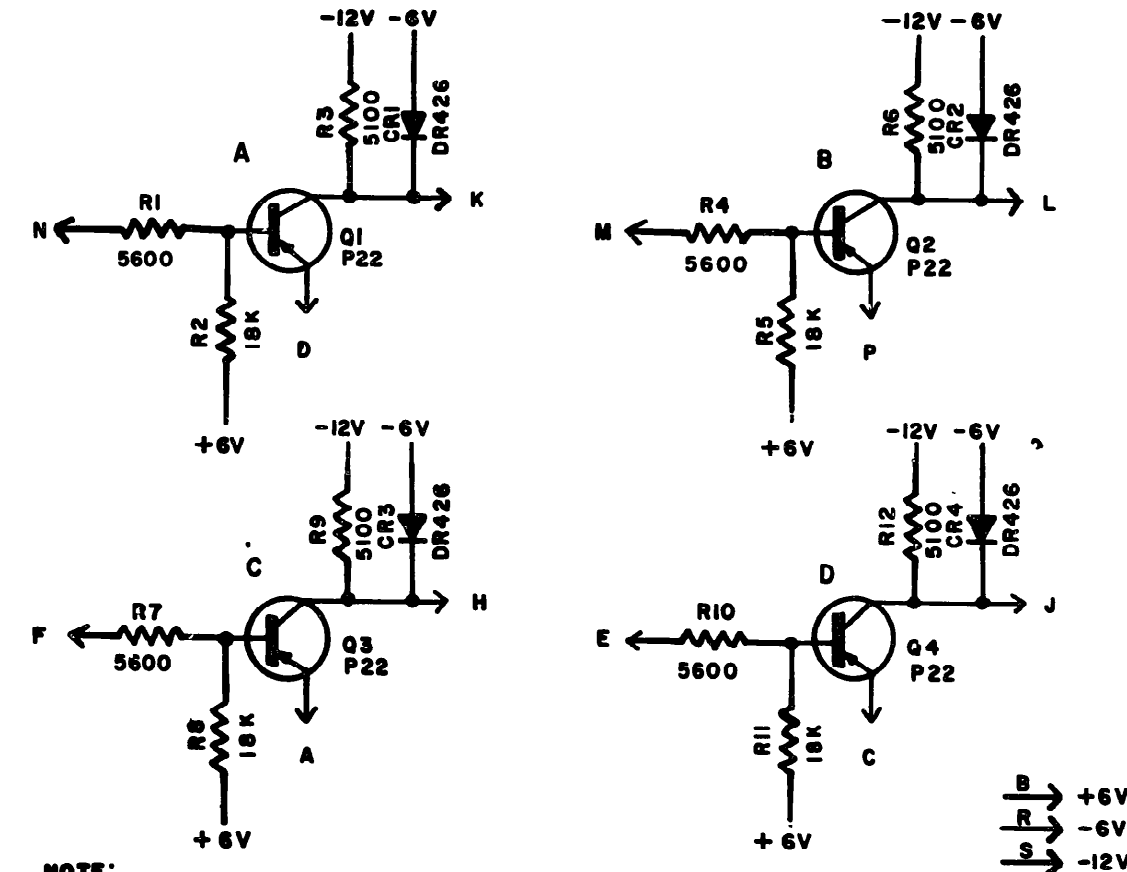
REF. DESIGN	TELETYPE PART NO.	TOTAL QTY.	NAME AND DESCRIPTION	LOCATING FUNCTION
R1	118186	4	Resistor Fixed 5600 Ohms	Base Current Limiting
R2	118151	4	Resistor Fixed 18K Ohms	Base Bias
R3	143665	4	RESISTOR FIXED 5100 OHMS	Collector Load
R4			Same as R1	Base Current Limiting
R5			Same as R2	Base Bias
R6			Same as R3	Collector Load
R7			Same as R1	Base Current Limiting
R8			Same as R2	Base Bias
R9			Same as R3	Collector Load
R10			Same as R1	Base Current Limiting
R11			Same as R2	Base Bias
R12			Same as R3	Collector Load
CR1	177102	4	Diode D2	Clamp
CR2			Same as CR1	"
CR3			Same as CR1	"
CR4			Same as CR1	"
Q1	177105	4	Transistor P22	Gate
Q2			Same as Q1	"
Q3			Same as Q1	"
Q4			Same as Q1	"
EC	172067	1	Circuit Card, Etched	
	144495	4	Pad, Transistor	
		4	Strap 24 AWG Bare	
		1	Strap 24 AWG Insulated	
	300116	4	TRANSISTOR CAPS	

THIS CARD PROVIDES FOUR IDENTICAL COMMON EMITTER AMPLIFIERS WHICH EACH MAY BE CONNECTED TO FUNCTION AS INHIBIT GATES.

THE BASE AND EMITTER POTENTIALS VARY FROM -6V TO 0V INDEPENDENTLY. IN ORDER FOR A TRANSISTOR TO CONDUCT, THERE MUST BE A COINCIDENCE OF -6V APPLIED AT ITS BASE INPUT AND 0V APPLIED AT THE EMITTER INPUT. WHEN THE TRANSISTOR CONDUCTS, THE COLLECTOR OUTPUT SWITCHES FROM -6V TO THE EMITTER POTENTIAL, 0V. THE DIODES CLAMP THE RESPECTIVE COLLECTOR OUTPUTS TO -6V WHEN THE TRANSISTOR IS NON-CONDUCTING.



ISSUE	DATE	AUTH NO
2	8-8-64	88888
3	2-10-66	90288
4	2-28-66	90219



NOTE:  
CARD CONNECTIONS ARE REPRESENTED BY LETTERS  
TEST POINTS ARE REPRESENTED BY NUMBERS

APPROVALS

D AND R: [Signature] E OF M: [Signature]

E-NUMBER: 172356

PROD. NO. 172356

DATE 9-9-63

PD. FILE NO 2-96.134.184A

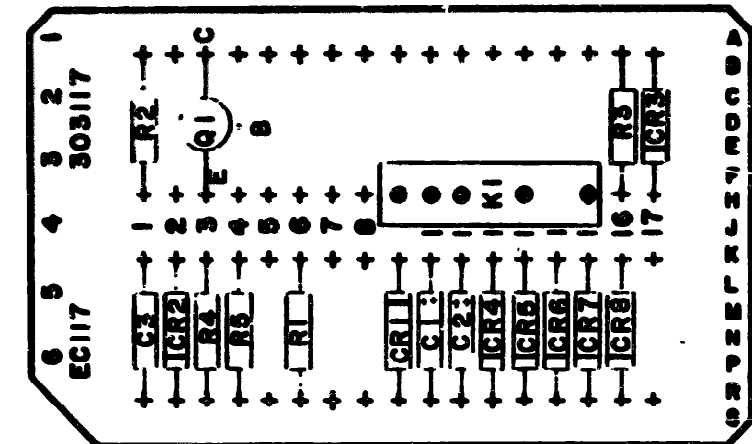
DRAWN S.W. [Signature] CHKD [Signature]

ENGD J.C.T. [Signature] APPD [Signature]

TELETYPE CORPORATION

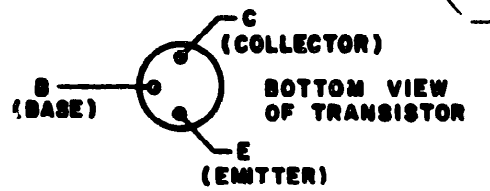
172356

**EC117**  
**303117**



**ALPHA NUMERIC CONVERSION CHART**

STAMPING ON CIRCUIT BOARD	NUMERICAL CONVERSION FOR 15 FT. CARDS WHEN USED WITH 36 FT. CONNECTOR	
	WHEN INSERTED IN UPPER HALF OF CONNECTOR	WHEN INSERTED IN LOWER HALF OF CONNECTOR
A	1	22
B	2	23
C	3	24
D	4	25
E	5	26
F	6	27
G	7	28
H	8	29
I	9	30
J	10	31
K	11	32
L	12	33
M	13	34
N	14	35
P	15	36

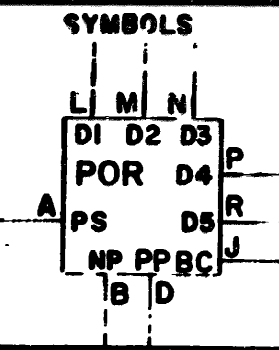


**NOTE:**  
REFER TO SOIGWD FOR MARKING INFORMATION

REF. DESIGN	TELETYPE PART NO.	TOTAL QTY.	NAME AND DESCRIPTION	LOCATING FUNCTION
R1	143662	1	390 OHMS RESISTOR	
R2	137440	1	1000 " "	
R3	137441	1	1200 " "	
R4	118186	1	5600 " "	
R5	118150	1	15000 " "	
C1	182748	2	100MFD TANT. CAPACITOR, 8 VOLTS	
C2			SAME AS C1	
C3	171585	1	0.22 MFD CAPACITOR, 200 VOLTS	
CR1	178848	1	IN462 DIODE	
CR2	177108	7	D-2 DIODE	
CR3			SAME AS CR2	
CR4			" " "	
CR5			" " "	
CR6			" " "	
CR7			" " "	
CR8			" " "	
Q1	177106	1	N-33 TRANSISTOR	
	144495	1	TRANSISTOR PAD	
K1	311582	1	REED RELAY (FORM C)	
	311589	1	ETCHED CIRCUIT BOARD	
	300116	1	TRANSISTOR CAP	

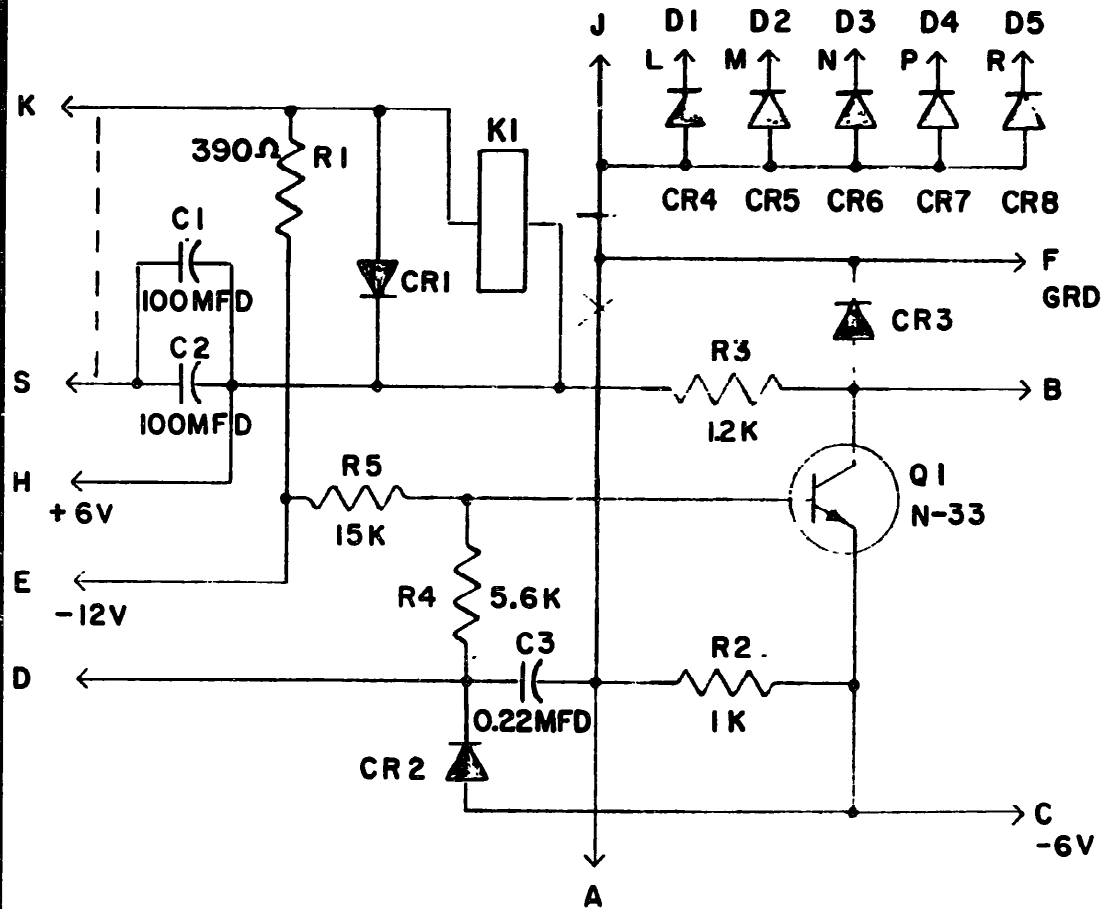
**POWER ON RESET (POR) CIRCUIT BOARD EC117**

The purpose of this card is to cause several actions for setting logic to a desired state (on power turn on) when the power source which drives it reaches some predetermined level. When power is turned on the -12 and +6 volt supplies increase toward their nominal values. This rate of increase along with R1, C1, C2 and the reed relay coil K1 determines when the contacts will transfer. When this transfer occurs, the 5 diode fanout gate and pin J lift off ground and pin A closes to ground causing a positive step (PS). The positive step is differentiated and appears as a positive pulse (PP) at pin D and the base of Q1. Q1 turns on briefly so that a negative pulse (NP) appears at pin B.



**303117**

ISSUE	DATE	AUTH NO
1	6-17-65	16294-R
2	11-25-65	189436
3	2-9-66	189450
4	2-28-66	90219



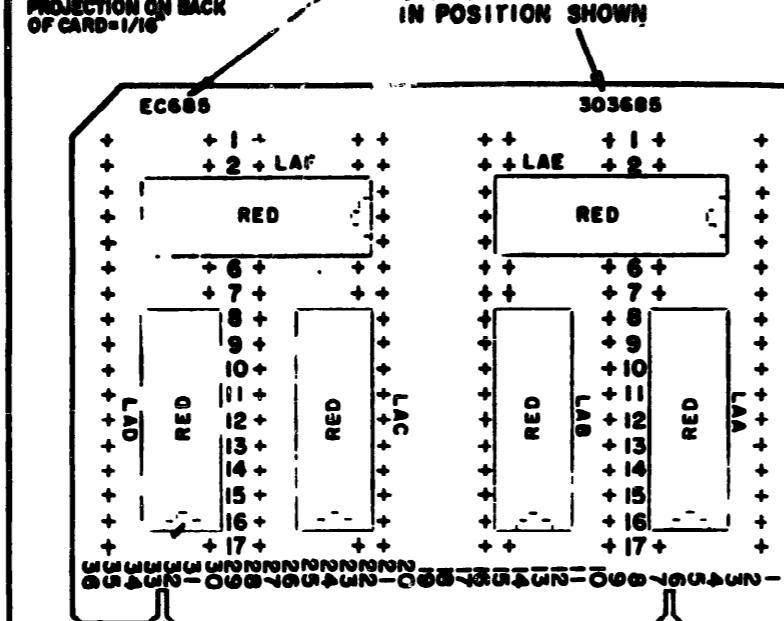
+6V → H  
-12V → E  
GRD → F  
6V → C  
OPTION DELAY STRAP

**NOTE:**  
CARD CONNECTIONS ARE REPRESENTED BY LETTERS  
TEST POINTS ARE REPRESENTED BY NUMBERS

**APPROVALS**

D AND R	E OF M
<i>[Signature]</i>	<i>[Signature]</i>

E-NUMBER  
PROD. NO 303117  
DATE 5-21-65  
PD. FILE NO 44-A25AA  
DRAWN WQ CHKG  
ENGD JMK APPD  
**TELETYPE CORPORATION**  
**303117**



KEY (BOTTOM OF POTTED MODULE)  
 NOTE 1. SIDE A OF BOARD IS COMPONENT SIDE  
 2 REFER TO 6050MD FOR BASIC MARKING INFORMATION.

THIS CIRCUIT CARD USES 6 POTTED MODULES INSTEAD OF CONVENTIONAL COMPONENTS. EACH MODULE CONTAINS TWO NOR CIRCUITS.

WHEN ANY OR ALL OF THE INPUTS FOR A PARTICULAR CIRCUIT ARE 0V., THE OUTPUT IS -6V. WHEN ALL OF THE INPUTS ARE -6V., THE OUTPUT IS 0V. WHEN ALL OF THE INPUTS ARE FLOATING, THE OUTPUT IS 0V.

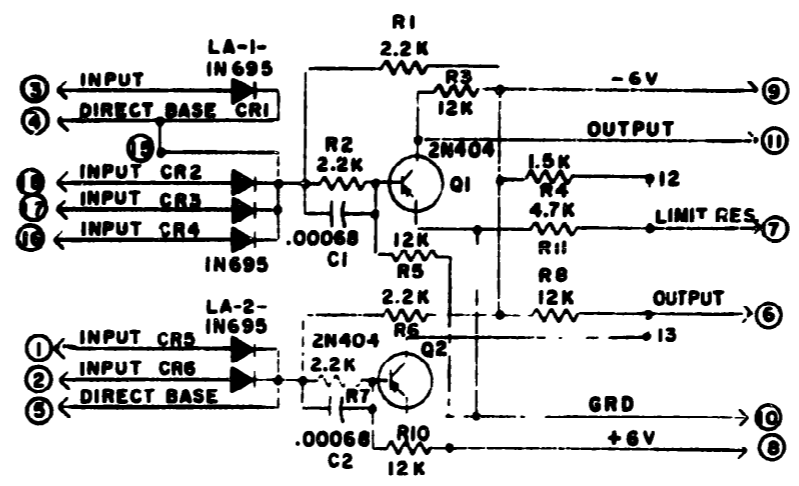
AMPLITUDE LIMITING IS ACCOMPLISHED BY PLACING R11 IN PARALLEL WITH THE TRANSISTOR AND R4 IN PARALLEL WITH THE COLLECTOR LOAD. THIS IS DONE BY A SINGLE EXTERNAL STRAP, BEING SO CONNECTED, CURRENT FLOWS THROUGH THE COLLECTOR LOAD WHEN THE TRANSISTOR IS OFF. VOLTAGE DIVIDER ACTION THEN TAKES PLACE MAKING THE OUTPUT -4.7V INSTEAD OF -6V.

EVEN THOUGH THE AMPLITUDE LIMITING RESISTORS ARE APPLICABLE TO BOTH CIRCUITS IN THE MODULE, THEY CAN BE USED WITH ONLY ONE CIRCUIT AT A TIME.

IN THE TABLE AT THE RIGHT, THE FIRST VERTICAL COLUMN CORRESPONDS TO THE NUMBERED TERMINALS ON THE SCHEMATIC; THE TOP HORIZONTAL ROW INDICATES WHICH OF THE SIX MODULES ARE BEING USED; THE REMAINING PORTION OF THE TABLE SHOWS THE CARD PINS TO WHICH THE MODULES ARE CONNECTED.

FOR MORE DETAILED INFORMATION SEE DEPARTMENT OF DEFENSE SPEC ON 61613, OR BENDIX CORPORATION SPECIFICATION NUMBER 0662195-0501

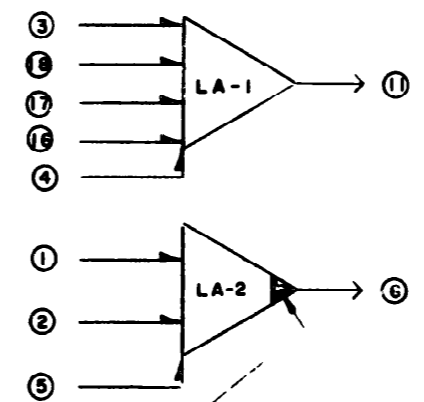
NOR LOGIC A(12)



TABLE

	LA-A	LA-B	LA-C	LA-D	LA-E	LA-F
①	B4	B12	B23	B30	A1	A36
②	B5	B13	B22	B31	B1	A35
③	A5	A13	A23	A31	A2	A34
④	A8	A15	A25	A30	B8	B36
⑤	B3	A12	A22	A29	A19	B35
⑥	A9	A11	A26	A28	B9	B27
⑦	A4	B11	B21	B29	B17	A33
⑧	A18	A18	B18	B18	A18	B18
⑨	A20	A20	B20	B20	A20	B20
⑩	A16	A16	B16	B16	A16	B16
⑪	A10	A17	A27	B34	B10	B28
⑫	A7	A14	A24	A32	B6	A21
⑬	A6	B14	B25	B32	A3	B26
⑭	B7	B15	B24	B33	B2	B19

SYMBOLS



- A16 → GRD
- B16 → GRD
- A18 → +6V
- B18 → +6V
- A20 → -6V
- B20 → -6V

REVISIONS		
NO.	DATE	AUTHOR
1	4-21-66	169227

WDP

**APPROVALS**

R AND D	E OF M
<i>[Signature]</i>	<i>[Signature]</i>

E-NUMBER  
 PROD. NO. 303685

DATE: 3-19-65  
 R & D FILE NO. 38-A2/65AA  
 DRAWN W O CHKD. *[Signature]*  
 ENGR. R W B APPD. *[Signature]*

**TELETYPE CORPORATION**  
 303685

REF. DESIG.	TELETYPE PART NO.	TOTAL QTY.	NAME AND DESCRIPTION	LOCATING FUNCTION	REF. DESIG.	TELETYPE PART NO.	TOTAL QTY.	NAME AND DESCRIPTION	LOCATING FUNCTION
LAA LAF	310884	6	MODULE, POTTED, NOR						
	310871	1	CIRCUIT BOARD, ETCHED						
	144198	65	EYELETS						

A NON-STANDARD ITEM AND TO BE USED IN ANY NEW DESIGN WITHOUT APPROVAL OF THE STANDARD ORGANIZATION.



KEY (BOTTOM OF POTTED MODULE) — 310871 CIRCUIT BOARD  
NOTE L SIDE A OF BOARD IS COMPONENT SIDE  
2 REFER TO 6050MD FOR BASIC MARKING INFORMATION.

THIS CIRCUIT CARD USES 6 POTTED MODULES INSTEAD OF CONVENTIONAL COMPONENTS. EACH MODULE CONTAINS TWO NOR CIRCUITS.

WHEN ANY OR ALL OF THE INPUTS FOR A PARTICULAR CIRCUIT ARE 0V., THE OUTPUT IS -6V WHEN ALL OF THE INPUTS ARE -6V., THE OUTPUT IS 0V. WHEN ALL OF THE INPUTS ARE FLOATING, THE OUTPUT IS 0V.

AMPLITUDE LIMITING IS ACCOMPLISHED BY PLACING R11 IN PARALLEL WITH THE TRANSISTOR AND R4 IN PARALLEL WITH THE COLLECTOR LOAD. THIS IS DONE BY A SINGLE EXTERNAL STRAP. BEING SO CONNECTED, CURRENT FLOWS THROUGH THE COLLECTOR LOAD WHEN THE TRANSISTOR IS OFF. VOLTAGE DIVIDER ACTION THEN TAKES PLACE MAKING THE OUTPUT -4.7V INSTEAD OF -6V.

EVEN THOUGH THE AMPLITUDE LIMITING RESISTORS ARE APPLICABLE TO BOTH CIRCUITS IN THE MODULE, THEY CAN BE USED WITH ONLY ONE CIRCUIT AT A TIME

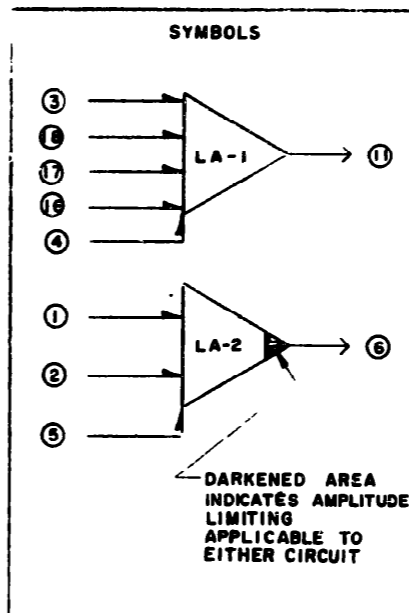
IN THE TABLE AT THE RIGHT, THE FIRST VERTICAL COLUMN CORRESPONDS TO THE NUMBERED TERMINALS ON THE SCHEMATIC. THE TOP HORIZONTAL ROW INDICATES WHICH OF THE SIX MODULES ARE BEING USED; THE REMAINING PORTION OF THE TABLE SHOWS THE CARD PINS TO WHICH THE MODULES ARE CONNECTED

FOR MORE DETAILED INFORMATION SEE DEPARTMENT OF DEFENSE SPEC ON 61613, OR  
MILITARY SPECIFICATION NUMBER 0662186-0501

00C38L NW  
C2 12K

TABLE

	LA-A	LA-B	LA-C	LA-D	LA-E	LA-F
①	B4	B12	B23	B30	A1	A36
②	B5	B13	B22	B31	B1	A35
③	A5	A13	A23	A31	A2	A34
④	A8	A16	A25	A30	B8	B36
⑤	B3	A12	A22	A29	A19	B35
⑥	A9	A11	A26	A28	B9	B27
⑦	A4	B11	B21	B29	B17	A33
⑧	A18	A18	B18	B18	A18	B18
⑨	A20	A20	B20	B20	A20	B20
⑩	A16	A16	B16	B16	A16	B16
⑪	A10	A17	A27	B34	B10	B28
⑫	A7	A14	A24	A32	B6	A21
⑬	A6	B14	B25	B32	A3	B26
⑭	B7	B15	B24	B33	B2	B19



A16 — GRD  
B16 — GRD  
A18 — +6V  
B18 — +6V  
A20 — -6V  
B20 — -6V

APPROVALS

R AND D	E OF M
E-NUMBER	
PROD. NO. 303685	
DATE 3-19-65	
R & D FILE NO 38-A2/65AA	
DRAWN W O	CHKD. JMT
ENGD. R W B	APPD. JMT

TELETYPE CORPORATION  
303685

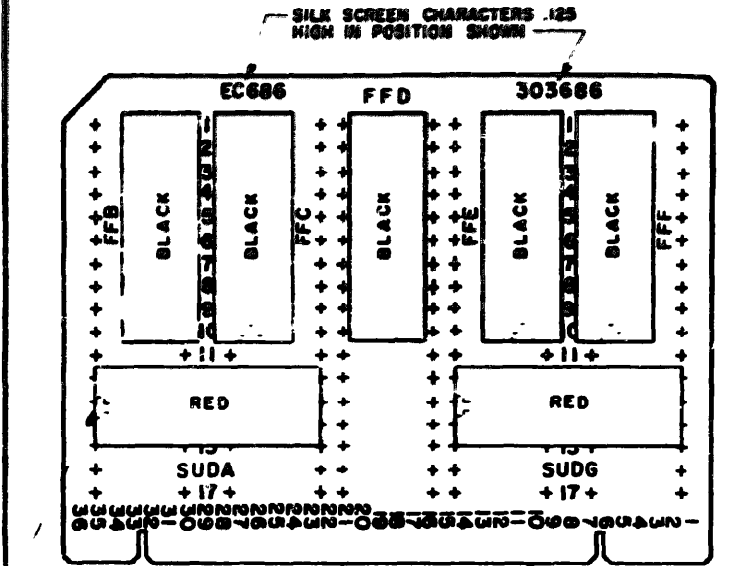
REF. DESIG.	TELETYPE PART NO.	TOTAL QTY.	NAME AND DESCRIPTION	LOCATING FUNCTION	REF. DESIG.	TELETYPE PART NO.	TOTAL QTY.	NAME AND DESCRIPTION	LOCATING FUNCTION
LAA LAF	310884	6	MODULE, POTTED, NOR						
	310871	1	CIRCUIT BOARD, ETCHED						
	144158	65	EYELETS						

NOTE: THIS IS A NON-STANDARD ITEM AND IS NOT TO BE USED IN ANY NEW APPLICATION WITHOUT APPROVAL OF THE R & D STANDARDS ORGANIZATION.

APPROVALS

R AND D	E OF M
E-NUMBER	
PROD. NO. 303685	
DATE 3-19-65	
R & D FILE NO 38-A2/65AA	
DRAWN W O	CHKD. JMT
ENGD. R W B	APPD. JMT

TELETYPE CORPORATION  
303685



THIS CIRCUIT CARD USES 7 POTTED MODULES INSTEAD OF THE CONVENTIONAL COMPONENTS. THE BLACK MODULES CONTAIN ONE FLIP-FLOP EACH; THE RED MODULES CONTAIN RESISTOR, CAPACITOR, DIODE COMBINATIONS TO BE USED AS ADDITIONAL INPUTS FOR THE FLIP FLOPS.

IF THE "1" OUTPUT IS SETTING AT -6V A POSITIVE PULSE ON EITHER SET OF THE "1" SIDE COMBINED WITH ITS ASSOCIATED PRIME WILL CAUSE THE "1" OUTPUT TO SWITCH TO ZERO VOLTS. THE SAME CONDITIONS HOLD TRUE FOR THE "0" SIDE.

WHEN THE FLIP-FLOP IS OPERATED IN THE COMPLEMENT MODE, EVERY INCOMING PULSE WILL CHANGE THE STATE OF THE FLIP-FLOP.

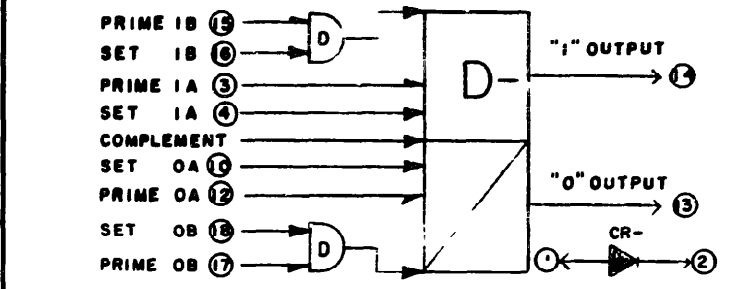
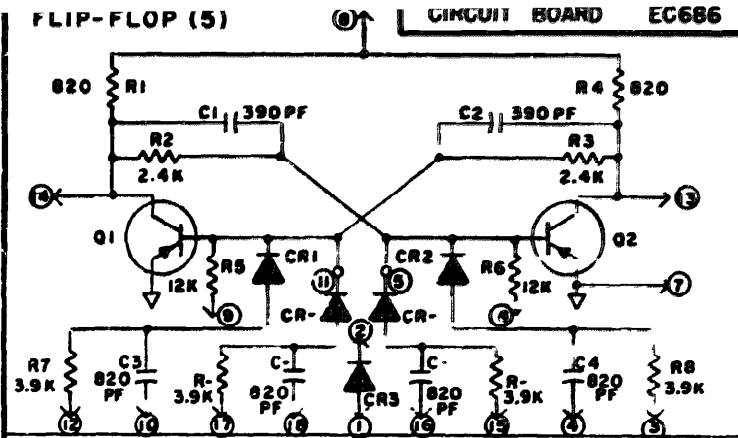
FOR MORE DETAILED INFORMATION SEE DEPARTMENT OF DEFENSE SPEC ONIGIG17 B ONIGIG22 OR BENDIX SPECIFICATION NUMBER 0652192-0501, 0652189-0501.

ON THE SECOND CHART AT THE RIGHT THE FIRST VERTICAL COLUMN INDICATES THE REFERENCE DESIGNATIONS ON THE SCHEMATIC. THE FIRST TWO HORIZONTAL ROWS INDICATE WHICH FLIP-FLOPS USE WHICH SUPPLEMENTARY "D"'S. THE REMAINING ROWS MAKE REFERENCE TO THE PIN NUMBERS AT THE BOTTOM OF THE SUPPLEMENTARY D MODULES.

IN THE FIRST CHART AT THE RIGHT THE TOP HORIZONTAL ROW INDICATES THE FIVE FLIP-FLOPS.

IN THE FIRST VERTICAL ROW THE NUMBERS 1 THRU 14 INDICATE THE PIN NUMBERS OF THE FLIP-FLOP POTTED MODULES. THE NUMBERS 15 THROUGH 18 ARE REFERENCE NUMBERS FOR THE SECOND CHART. THE REMAINING PORTION OF THE FIRST CHART INDICATES THE CARD PINS TO WHICH THE MODULES ARE CONNECTED.

IN SCHEMATIC ALL DESIGNATED COMPONENTS ARE LOCATED IN BLACK MODULE; ALL NON-DESIGNATED COMPONENTS ARE LOCATED IN RED MODULE.



	D-B	D-C	D-D	D-E	D-F	
(1)	A33	A27		A13	B4	
(2)	A34	A26		A14	A3	
(3)	A35	A24	B14	A12	A2	A16 → GRD
(4)	A36	B24	B13	A11	A1	B16 → GRD
(5)	A13	A18	A18	A18	A18	A18 → +6V
(6)	B20	B20	B20	B20	B20	B18 → +6V
(7)	A18	A18	A16	A18	A18	
(8)	B36	A25	A22	B12	B1	
(9)	B35	B25	B23	B11	B2	A20 → -6V
(10)	B34	B26	B22	B10	B3	B20 → -6V
(11)	B33	A32	A23	B9	A10	
(12)	A29	A31	B7	A8	A4	
(13)	B30	B31	A9	B6	A5	
(14)	A30	B29	B28	A7	A6	
(15)	B32	B27	A28	B8	B5	

	SUDA			SUDG		
	D-B	D-C	D-D	D-D	D-E	D-F
(15)	11	12		12	11	6
(16)	4	13		13	4	5
(17)	15	14		14	15	7
(18)	3	10	6		3	10
(19)	2	9	5		2	9
(20)	1	8	7		1	8

303686

REVISIONS

NO.	DATE	BY	REVISION
1	2-10-65		

APPROVALS

R AND D E OF M

E-NUMBER

PROD. NO. 303686

DATE 2-10-65

R & D FILE NO 38-A2/68AA

DRAWN W.C. CHKD. W.V.

ENGR. R.W.B. APPD. W.V.

TELETYPE CORPORATION

303686

ADP

REF. DESIG.	TELETYPE PART NO.	TOTAL QTY.	NAME AND DESCRIPTION	LOCATING FUNCTION	REF. DESIG.	TELETYPE PART NO.	TOTAL QTY.	NAME AND DESCRIPTION	LOCATING FUNCTION
	310872	1	ETCHED CIRCUIT BOARD						
FFB FFB	310879	5	POTTED MODULE FLIP-FLOP						
SUDA SUDG	310880	2	POTTED MODULE SUPP.-D						
	144138	39	EYELETS						

NOTE: THIS IS A SUB-ASSEMBLY ITEM AND IS NOT TO BE USED IN ANY CASE APPLICATING WITHOUT APPROVAL OF THE R & D STRATEGIC ORGANIZATION.

WDP

KEY (ON BOTTOM OF MODULE)  
 NOTE 1) SIDE A OF BOARD HAS COMPONENTS  
 2) REFER TO 6050ND FOR BASIC MARKING INFORMATION. 310872

THIS CIRCUIT CARD USES 7 POTTED MODULES INSTEAD OF THE CONVENTIONAL COMPONENTS. THE BLACK MODULES CONTAIN ONE FLIP-FLOP EACH; THE RED MODULES CONTAIN RESISTOR, CAPACITOR, DIODE COMBINATIONS TO BE USED AS ADDITIONAL INPUTS FOR THE FLIP FLOPS.

IF THE "1" OUTPUT IS SETTING AT -6V. A POSITIVE PULSE ON EITHER SET OF THE "1" SIDE COMBINED WITH ITS ASSOCIATED PRIME WILL CAUSE THE "1" OUTPUT TO SWITCH TO ZERO VOLTS. THE SAME CONDITIONS HOLD TRUE FOR THE "0" SIDE.

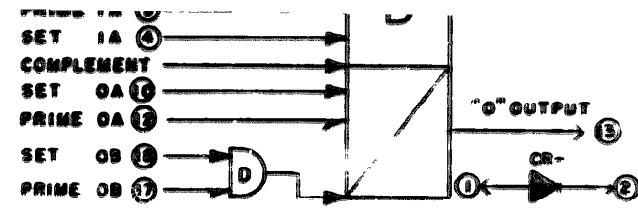
WHEN THE FLIP-FLOP IS OPERATED IN THE COMPLEMENT MODE, EVERY INCOMING PULSE WILL CHANGE THE STATE OF THE FLIP-FLOP.

FOR MORE DETAILED INFORMATION SEE DEPARTMENT OF DEFENSE SPEC OMBIG/7 & OMBIG/22 OR BENDIX SPECIFICATION NUMBER: 065292-0501, 0652100-0501.

ON THE SECOND CHART AT THE RIGHT THE FIRST VERTICAL COLUMN INDICATES THE REFERENCE DESIGNATIONS ON THE SCHEMATIC. THE FIRST TWO HORIZONTAL ROWS INDICATE WHICH FLIP-FLOPS USE WHICH SUPPLEMENTARY "D"'S. THE REMAINING ROWS MAKE REFERENCE TO THE PIN NUMBERS AT THE BOTTOM OF THE SUPPLEMENTARY D MODULES.

IN THE FIRST CHART AT THE RIGHT, THE TOP HORIZONTAL ROW INDICATES THE FIVE FLIP-FLOPS. IN THE FIRST VERTICAL ROW THE NUMBERS 1 THRU 14 INDICATE THE PIN NUMBERS OF THE FLIP-FLOP POTTED MODULES. THE NUMBERS 15 THRU 18 ARE REFERENCE NUMBERS FOR THE SECOND CHART. THE REMAINING PORTION OF THE FIRST CHART INDICATES THE CARD PINS TO WHICH THE MODULES ARE CONNECTED.

IN SCHEMATIC ALL DESIGNATED COMPONENTS ARE LOCATED IN BLACK MODULE; ALL NON-DESIGNATED COMPONENTS ARE LOCATED IN RED MODULE.



	D-B	D-C	D-D	D-E	D-F
1	A33	A27		A13	B1
2	A34	A26		A14	A3
3	A35	A24	B14	A12	A2
4	A36	B24	B13	A11	A1
6	A18	A18	A18	A18	A18
7	A16	A16	A16	A16	A16
8	B20	B20	B20	B20	B20
9	A18	A18	A18	A18	A18
10	B36	A25	A22	B12	B1
12	B35	B25	B23	B11	B2
13	B34	B26	B22	B10	B3
14	B33	A32	A23	B9	A10
15	A29	A31	B7	A8	A4
16	B30	B31	A9	B6	A5
17	A30	B29	B28	A7	A6
18	B32	B27	A28	B8	B5

A16 → GRD  
 B16 → GRD  
 A18 → +6V  
 B18 → +6V  
 A20 → -6V  
 B20 → -6V

	S'DA			SUDG		
	D-B	D-C	D-D	D-D	D-E	D-F
1	11	12		12	11	6
2	4	13		13	4	5
3	15	14		14	15	7
4	3	10	6		3	10
5	2	9	5		2	9
6	1	8	7		1	8

APPROVALS

R AND D E OF M

E-NUMBER

PROD. NO. 303686

DATE: 2-10-65

R & D FILE NO 38-A2/65AA

DRAWN WO CHKD.

ENGR. RWB APPD.

TELETYPE CORPORATION

303686

REF. DESIG.	TELETYPE PART NO.	TOTAL QTY.	NAME AND DESCRIPTION	LOCATING FUNCTION	REF. DESIG.	TELETYPE PART NO.	TOTAL QTY.	NAME AND DESCRIPTION	LOCATING FUNCTION
	310872	1	ETCHED CIRCUIT BOARD						
FFB FFF	310879	5	POTTED MODULE FLIP-FLOP						
SUDA-SUDE	310880	2	POTTED MODULE SUPP.-D						
	144138	39	EYELETS						

NOTE: THIS IS A REWORKED ITEM AND IS NOT TO BE USED IN ANY NEW APPLICATIONS WITHOUT APPROVAL OF THE R & D STAFF/ASST ORGANIZATION.

APPROVALS

R AND D E OF M

E-NUMBER

PROD. NO. 303686

DATE: 2-10-65

R & D FILE NO 38-A2/65AA

DRAWN WO CHKD.

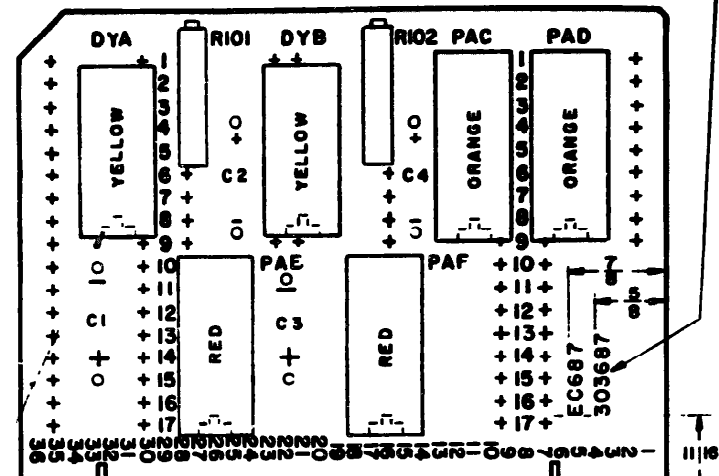
ENGR. RWB APPD.

TELETYPE CORPORATION

303686

SILK SCREEN DIMENSIONED CHARACTERS PLUS INFORMATION ON 6050WD.  
MAXIMUM SOLDER PROJECTION ON BACK OF CARD=1/16"

PLACE CHARACTERS .125 IN APPROX. POSITION SHOWN



NOTE: 1. SIDE A IS COMPONENT SIDE  
2. REFER TO 6050WD FOR BASIC MARKING INFORMATION.

THIS CIRCUIT CARD USES SIX POTTED MODULES COMBINED WITH A FEW CONVENTIONAL COMPONENTS. THE YELLOW MODULES ARE DELAY GENERATORS WITH AN ALARM OPTION (CAN BE USED AS ONE SHOTS OR ASTABLE MULTIVIBRATORS). WITH A CAPACITOR BETWEEN POINTS 1 & 11, POINT 9 AT +6V., POINT 12 GROUND, AND A POSITIVE PULSE AT POINT 13, THERE IS A POSITIVE PULSE AT POINT 10 AND A NEGATIVE PULSE AT POINT 2. THE DURATION OF THESE OUTPUT PULSES IS DEPENDENT ON THE SETTING OF THE POT AND THE VALUE OF EXTERNAL CAPACITY USED, THE CIRCUIT IS THEN ACTING AS A ONE-SHOT MULTIVIBRATOR.

TO OPERATE THIS CIRCUIT AS AN ASTABLE MULTI, A CAPACITOR IS BETWEEN POINTS 2 & 3, ANOTHER BETWEEN POINTS 1 & 11, POINT 5 IS BROUGHT TO +6V, AND THE OUTPUT WAVEFORM IS TAKEN AT POINTS 2 AND/OR 10. THE CIRCUIT WILL OSCILLATE WHEN -6V IS APPLIED TO POINT 4.

THE ORANGE MODULES EACH CONTAIN TWO POWER AMPLIFIERS. CR1, CR2, R2 AND CR3, CR4, R6 COMPRISE TWO SEPARATE OR GATES FOR THE INPUTS. IF EITHER OF THE INPUTS FROM ONE POWER AMP. IS OV., THE OUTPUT IS -6V. IF BOTH OF THE INPUTS ARE -6V., THE OUTPUT IS OV. AMPLITUDE LIMITING IS ACCOMPLISHED BY PLACING R9 IN PARALLEL WITH Q1 OR Q2. THIS RESISTOR CAN BE USED WITH ONLY ONE AMPLIFIER AT A TIME.

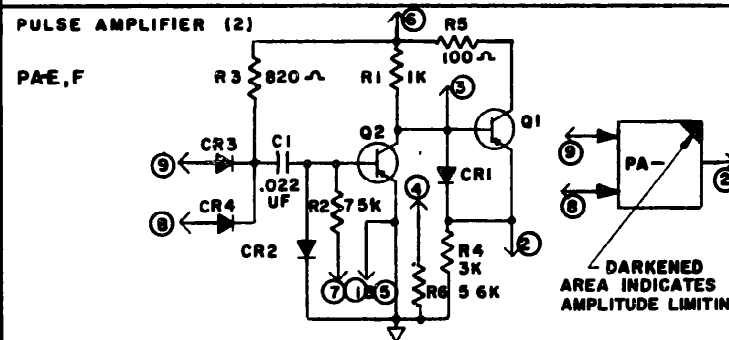
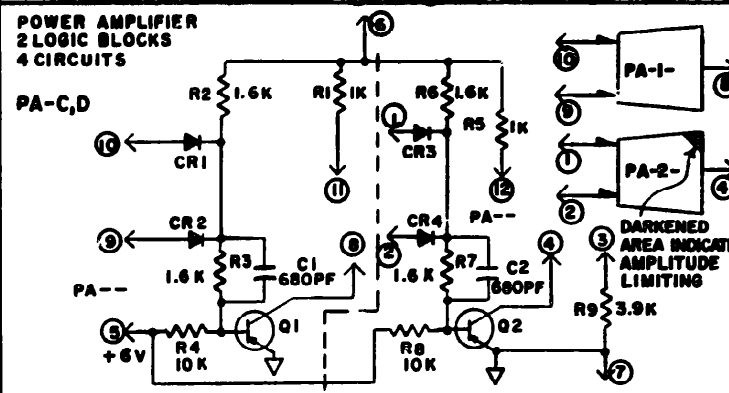
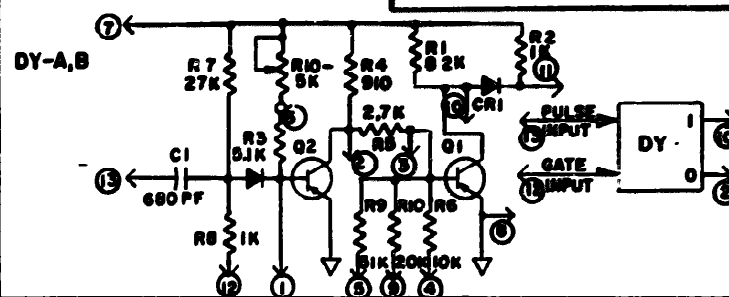
THE RED MODULES EACH CONTAIN ONE PULSE AMPLIFIER. CR3, CR4, AND R3 ACT AS AN OR GATE FOR THE INPUTS. A POSITIVE STEP AT EITHER OR BOTH INPUT(S) WILL NOT AFFECT THE CONDITION OF THIS CIRCUIT. HOWEVER, A NEGATIVE STEP AT ONE INPUT WHILE THE OTHER IS HELD AT -6V. WILL CAUSE THE OUTPUT TO GO TO OV. THE OUTPUT WILL STAY AT OV. UNTIL THE BASE OF Q2 GOES POSITIVE (CAUSED BY C1 CHARGING). THE OUTPUT STAYS AT OV FOR APPROXIMATELY 40 μS SECS. AFTER 40 μS SECS., THE OUTPUT GOES TO -6V. UNTIL THE TRAILING END OF THE NEXT INPUT PULSE. AMPLITUDE LIMITING IS ACCOMPLISHED BY TYING POINT 3 TO POINT 4. THIS ALLOWS MORE CURRENT TO FLOW THROUGH R6 AND LESS CURRENT TO FLOW THROUGH R4, THUS LOWERING THE VOLTAGE ACROSS R4.

IN THE TABLE AT THE RIGHT, THE FIRST VERTICAL COLUMN CORRESPONDS TO THE NUMERICAL DESIGNATIONS ON THE SCHEMATIC. THE FIRST HORIZONTAL ROW CORRESPONDS TO THE DESIGNATIONS GIVEN TO EACH MODULE ON THE CARD DRAWING. THE REMAINING PORTION OF THE TABLE INDICATES THE CARD PIN TO WHICH EACH MODULE PIN IS CONNECTED.

FOR FURTHER INFORMATION REFER TO DEPARTMENT OF DEFENSE SPECIFICATION NUMBERS ON161029, ON161704, AND ON161619 OR BENDIX CORPORATION SPECIFICATION NUMBERS: 0662191-0801,

CIRCUIT BOARD EC687

303687



	DY-A	DY-B	PAC	PA-D	PA-E	PA-F	
1			B5	A4	B16	B16	A16 → GRD
2	B30	B22	A8	A3	A27	B11	B16 → GRD
3			A7	A2	A29	B10	A18 → +6V
4	B31	B23	B4	A1	A30	B9	B18 → +6V
5	B36	B25	A18	A18	B16	B16	A20 → -6V
6			A20	A20	A20	B20	A20 → -6V
7	A20	A20	B16	B16	A18	A18	
8	B16	B16	B6	B1	A31	A11	
9	A36	A25	B7	B2	A28	A12	
10	A34	B27	A9	B3			
11			A10	A5			
12	A33	A23	B8	A6			
13	A32	A22					

REVISIONS		
NO.	DATE	BY
1	2-10-68	

APPROVALS

R AND D E OF M

E-NUMBER

PROD. NO. 303687

DATE: 2-10-68

R. & D FILE NO. 30-A2/68A

DRAWN W.D. CHKD. J.W.

ENG. R.W.B. APPD. J.W.

TELETYPE CORPORATION

303687

REF. DESIG.	TELETYPE PART NO.	TOTAL QTY.	NAME AND DESCRIPTION	LOCATING FUNCTION	REF. DESIG.	TELETYPE PART NO.	TOTAL QTY.	NAME AND DESCRIPTION	LOCATING FUNCTION
	310873	1	ETCHED CIRCUIT BOARD						
PAC, PAD	310881	2	POWER AMP POTTED MODULE						
DYA, DYB	310882	2	DELAY ALARM POTTED MODULE						
PAE, PAF	310883	2	PULSE AMP. POTTED MODULE						
RIO1, RIO2	193299	2	5 K VARIABLE RESISTOR						
	144136	50	EYELETS						

NOTE: THIS IS A NON-STANDARD PART AND SHOULD NOT BE USED IN ANY NEW APPLICATION WITHOUT APPROVAL OF THE R & D STAFF AND QUALITY CONTROL.

KEY (ON BOTTOM OF POTTED MODULE)  
 NOTE: 1. SIDE A IS COMPONENT SIDE  
 2. REFER TO 6050MD FOR BASIC MARKING INFORMATION-DOUBLE SIDED

THIS CIRCUIT CARD USES SIX POTTED MODULES COMBINED WITH A FEW CONVENTIONAL COMPONENTS. THE YELLOW MODULES ARE DELAY GENERATORS WITH AN ALARM OPTION (CAN BE USED AS ONE SHOTS OR ASTABLE MULTIVIBRATORS). WITH A CAPACITOR BETWEEN POINTS 1 & 11, POINT 9 AT +6V., POINT 12 GROUND, AND A POSITIVE PULSE AT POINT 13, THERE IS A POSITIVE PULSE AT POINT 10 AND A NEGATIVE PULSE AT POINT 2. THE DURATION OF THESE OUTPUT PULSES IS DEPENDENT ON THE SETTING OF THE POT AND THE VALUE OF EXTERNAL CAPACITY USED. THE CIRCUIT IS THEN ACTING AS A ONE-SHOT MULTIVIBRATOR.

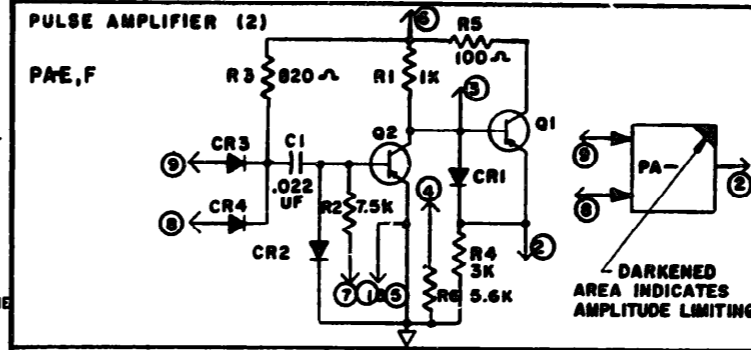
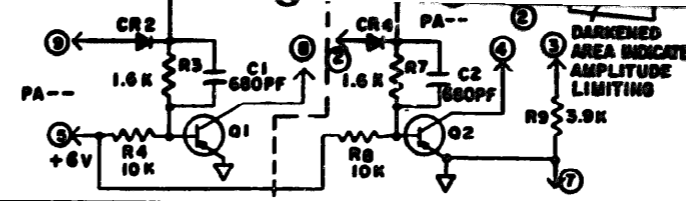
TO OPERATE THIS CIRCUIT AS AN ASTABLE MULTI. A CAPACITOR IS BETWEEN POINTS 2 & 3. ANOTHER BETWEEN POINTS 1 & 11, POINT 5 IS BROUGHT TO +6V, AND THE OUTPUT WAVESHAVE IS TAKEN AT POINTS 2 AND/OR 10. THE CIRCUIT WILL OSCILLATE WHEN -6V IS APPLIED TO POINT 4.

THE ORANGE MODULES EACH CONTAIN TWO POWER AMPLIFIERS. CR1, CR2, R2 AND CR3, CR4, R6 COMPRISE TWO SEPARATE OR GATES FOR THE INPUTS. IF EITHER OF THE INPUTS FROM ONE POWER AMP. IS 0V., THE OUTPUT IS -6V. IF BOTH OF THE INPUTS ARE -6V., THE OUTPUT IS 0V. AMPLITUDE LIMITING IS ACCOMPLISHED BY PLACING R9 IN PARALLEL WITH Q1 OR Q2. THIS RESISTOR CAN BE USED WITH ONLY ONE AMPLIFIER AT A TIME.

THE RED MODULES EACH CONTAIN ONE PULSE AMPLIFIER. CR3, CR4, AND R3 ACT AS AN OR GATE FOR THE INPUTS. A POSITIVE STEP AT EITHER OR BOTH INPUT(S) WILL NOT AFFECT THE CONDITION OF THIS CIRCUIT. HOWEVER, A NEGATIVE STEP AT ONE INPUT WHILE THE OTHER IS HELD AT -6V. WILL CAUSE THE OUTPUT TO GO TO 0V. THE OUTPUT WILL STAY AT 0V. UNTIL THE BASE OF Q2 GOES POSITIVE (CAUSED BY C1 CHARGING). THE OUTPUT STAYS AT 0V. FOR APPROXIMATELY 40μ SEC. AFTER 40μ SEC., THE OUTPUT GOES TO -6V. UNTIL THE TRAILING END OF THE NEXT INPUT PULSE. AMPLITUDE LIMITING IS ACCOMPLISHED BY TYING POINT 3 TO POINT 4. THIS ALLOWS MORE CURRENT TO FLOW THROUGH R6 AND LESS CURRENT TO FLOW THROUGH R4, THUS LOWERING THE VOLTAGE ACROSS R4.

IN THE TABLE AT THE RIGHT, THE FIRST VERTICAL COLUMN CORRESPONDS TO THE NUMERICAL DESIGNATIONS ON THE SCHEMATIC. THE FIRST HORIZONTAL ROW CORRESPONDS TO THE DESIGNATIONS GIVEN TO EACH MODULE ON THE CARD DRAWING. THE REMAINING PORTION OF THE TABLE INDICATES THE CARD PIN TO WHICH EACH MODULE PIN IS CONNECTED.

FOR FURTHER INFORMATION REFER TO DEPARTMENT OF DEFENSE SPECIFICATION NUMBERS: ON161023, ON161704, AND ON161619 OR BENDIX CORPORATION SPECIFICATION NUMBERS: 0652101-0801,



	DY-A	DY-B	PAC	PA-D	PA-E	PA-F	
①			B5	A4	B16	B16	A16 → GRD
②	B30	B22	A8	A3	A27	B11	B16 → GRD
③			A7	A2	A29	B10	A18 → +6V
④	B31	B23	B4	A1	A30	B9	B18 → +6V
⑤	B36	B25	A18	A18	B16	B16	A20 → -6V
⑥			A20	A20	A20	B20	B20 → -6V
⑦	A20	A20	B16	B16	A18	A18	
⑧	B16	B16	B6	B1	A31	A11	
⑨	A36	A25	B7	B2	A28	A12	
⑩	A34	B27	A9	B3			
⑪			A10	A5			
⑫	A33	A23	B6	A6			
⑬	A32	A22					

WDP

**APPROVALS**

R AND D	E OF M
<i>[Signature]</i>	<i>[Signature]</i>

E-NUMBER  
 PROD. NO. 303687  
 DATE: 2-10-65  
 R. & D FILE NO. 30-A2/65AA  
 DRAWN W.D. CHKD. *[Signature]*  
 ENGR. R.W.B. APPD. *[Signature]*  
**TELETYPE CORPORATION**  
 303687

REF. DESIG.	TELETYPE PART NO.	TOTAL QTY.	NAME AND DESCRIPTION	LOCATING FUNCTION	REF. DESIG.	TELETYPE PART NO.	TOTAL QTY.	NAME AND DESCRIPTION	LOCATING FUNCTION
	310873	1	ETCHED CIRCUIT BOARD						
PAC PAD	310881	2	POWER AMP POTTED MODULE						
DYA, DYB	310882	2	DELAY ALARM POTTED MODULE						
PAE, PAF	310883	2	PULSE AMP POTTED MODULE						
R10A, R10B	193299	2	5 K VARIABLE RESISTOR						
	144136	50	EYELETS						

WDP

**APPROVALS**

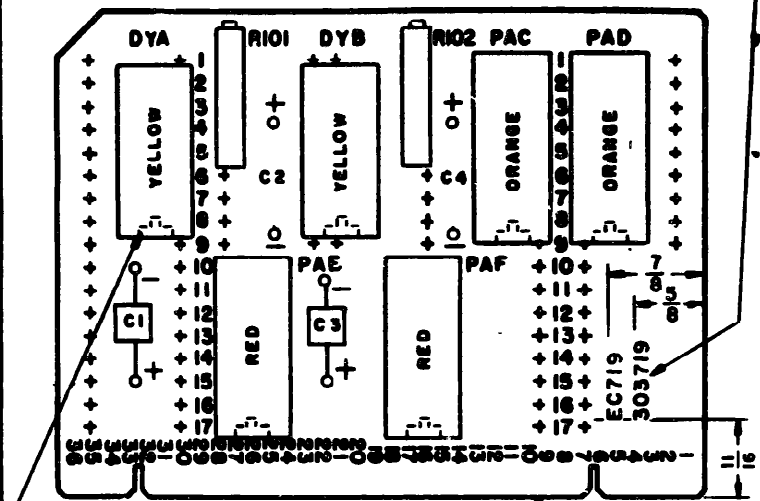
R AND D	E OF M
<i>[Signature]</i>	<i>[Signature]</i>

E-NUMBER  
 PROD. NO. 303687  
 DATE: 2-10-65  
 R. & D FILE NO. 30-A2/65AA  
 DRAWN W.D. CHKD. *[Signature]*  
 ENGR. R.W.B. APPD. *[Signature]*  
**TELETYPE CORPORATION**  
 303687

NOTE: THIS IS A PRE-RELEASED ITEM AND IS NOT TO BE USED IN ANY NEW APPLICATION WITHOUT APPROVAL OF THE R & D STANDARDS ORGANIZATION.

SILK SCREEN DIMENSIONED CHARACTERS PLUS INFORMATION ON 6050WD.  
MAXIMUM SOLDER PROJECTION ON BACK OF CARD=1/16"

PLACE CHARACTERS .125 IN APPROX. POSITION SHOWN



NOTES: 1. SIDE A MOUNTS COMPONENTS, DOUBLE-SIDED ETCHED CIRCUIT BOARD  
2. REFER TO 6050WD FOR BASIC MARKING INFORMATION.

THIS CIRCUIT CARD USES SIX POTTED MODULES COMBINED WITH A FEW CONVENTIONAL COMPONENTS. THE YELLOW MODULES ARE USED AS ONE-SHOT MULTIVIBRATORS. DYA PRODUCES AN OUTPUT PULSE OF 600 NS DURATION AND HAS C1 EQUAL TO 100 MFD. DYB PRODUCES AN OUTPUT PULSE OF 600 NS DURATION AND HAS C2 EQUAL TO 100 MFD. C1 IS BETWEEN POINT 1 AND 11 ON DYA; AND C2 IS BETWEEN POINTS 1 AND 11 ON DYB. FOR BOTH CIRCUITS, POINT 9 IS AT -6V AND POINT 12 IS GROUND.

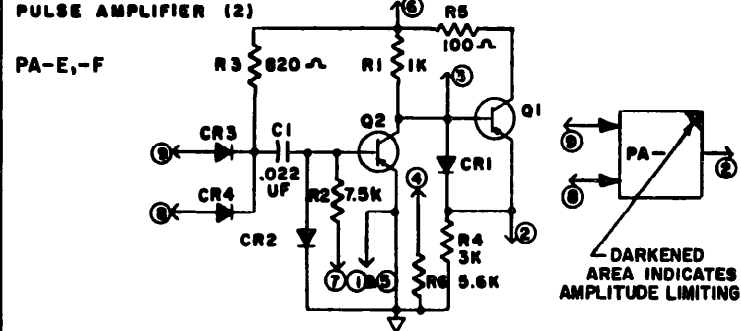
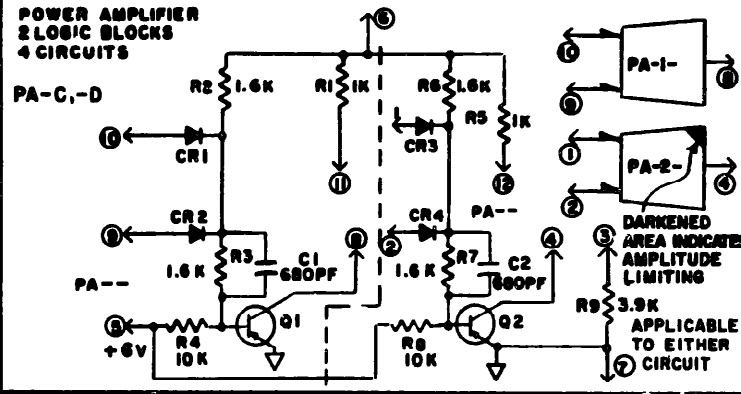
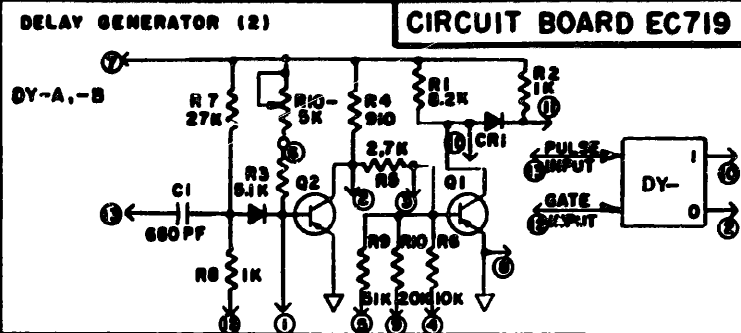
A POSITIVE PULSE OF AT LEAST 0.5 μ SEC. IN DURATION AT POINT 10 WILL PRODUCE A POSITIVE PULSE AT POINT 16 AND A NEGATIVE PULSE AT POINT 2. THE DURATION OF THESE OUTPUT PULSES IS DEPENDENT ON THE SETTING OF THE POT AND THE VALUE OF EXTERNAL CAPACITY USED.

THE ORANGE MODULES EACH CONTAIN TWO POWER AMPLIFIERS. CR1, CR2, CR3 AND CR4, CR5, CR6 COMPRISE TWO SEPARATE OR GATED FOR THE INPUTS. IF EITHER OF THE INPUTS FROM ONE POWER AMP IS 0V., THE OUTPUT IS -6V. IF BOTH OF THE INPUTS ARE -6V., THE OUTPUT IS 0V. AMPLITUDE LIMITING IS ACCOMPLISHED BY PLACING R9 IN PARALLEL WITH Q1 OR Q2. THIS RESISTOR CAN BE USED WITH ONLY ONE AMPLIFIER AT A TIME.

THE RED MODULES EACH CONTAIN ONE PULSE AMPLIFIER. CR3, CR4 AND R3 ACT AS AN OR GATE FOR THE INPUTS. A NEGATIVE STEP AT EITHER OR BOTH INPUT(S) WILL NOT AFFECT THE CONDITION OF THIS CIRCUIT. HOWEVER, A NEGATIVE STEP AT ONE INPUT WHILE THE OTHER IS HELD AT -6V. WILL CAUSE THE OUTPUT TO GO TO 0V. THE OUTPUT WILL STAY AT 0V. UNTIL THE BASE OF Q2 GOES POSITIVE (CAUSED BY C1 CHARGING). THE OUTPUT STAYS AT 0V. FOR APPROXIMATELY 40 μ SEC. AFTER 40 μ SEC. THE OUTPUT GOES TO -6V. UNTIL THE TRAILING END OF THE NEXT INPUT PULSE. AMPLITUDE LIMITING IS ACCOMPLISHED BY TYING POINT 3 TO POINT 4. THIS ALLOWS MORE CURRENT TO FLOW THROUGH R3 AND LESS CURRENT TO FLOW THROUGH Q2, THIS LOWERING THE VOLTAGE ACROSS R3.

IN THE TABLE AT THE RIGHT, THE FIRST VERTICAL COLUMN CORRESPONDS TO THE NUMERICAL DESIGNATIONS ON THE SCHEMATIC. THE FIRST HORIZONTAL ROW CORRESPONDS TO THE DESIGNATIONS GIVEN TO EACH MODULE ON THE CARD DRAWING. THE REMAINING PORTION OF THE TABLE INDICATES THE CARD PIN TO WHICH EACH MODULE PIN IS CONNECTED.

FOR FURTHER INFORMATION REFER TO DEPARTMENT OF DEFENSE SPECIFICATION NUMBERS: ON1616Z, ON1617A, AND ON1618D. OR BENDIX CORPORATION SPECIFICATION: 0652191-0501, 0652195-0501, 0652190-0501



	DY-A	DY-B	PA-C	PA-D	PA-E	PA-F	
①			B5	A4	B16	B16	A16 → GRD
②	B30	B22	A8	A3	A27	B11	B16 → GRD
③			A7	A2	A29	B10	A18 → +6V
④	B31	B23	B4	A1	A30	B9	B18 → +6V
⑤	B36	B25	A18	A18	B16	B16	A36 → +6V
⑥			A20	A20	A20	B20	A25 → +6V
⑦	A20	A20	B16	B16	A18	A18	A20 → -6V
⑧	B16	B16	B6	B1	A31	A11	B20 → -6V
⑨	A36	A25	B7	B2	A28	A12	
⑩	A34	B27	A9	B3			
⑪			A10	A5			
⑫	A33	A23	B8	A6			
⑬	A32	A22					

**CIRCUIT BOARD EC719** **303719**

REVISIONS

NO.	DATE	BY	CHKD.
1	4-21-65		16322-7

APPROVALS

R. AND D. E. OF M.

E-NUMBER

PROD. NO. 303719

DATE: 2-10-65

R. & D. FILE NO. 30-A2/020A

DRAWN W.D. CHKD. W.D.

ENG. R.W.B. APPD. W.D.

**TELETYPE CORPORATION**

**303719**

REF. DESIG.	TELETYPE PART NO.	TOTAL QTY.	NAME AND DESCRIPTION	LOCATING FUNCTION	REF. DESIG.	TELETYPE PART NO.	TOTAL QTY.	NAME AND DESCRIPTION	LOCATING FUNCTION
	310873	1	ETCHED CIRCUIT BOARD						
PAE, PAF	310881	2	POWER AMP POTTED MODULE						
DY-A, DYB	310883	2	DELAY ALARM POTTED MODULE						
PAE, PAF	310885	2	PULSE AMP POTTED MODULE						
RESISTORS	193259	2	5K 1W VARIABLE RESISTOR						
	144136	50	EYELETS						
C1	350930	2	100 MFD CAPACITOR, 10 VOLT						
C2	"	"	"						

NOTE: THIS IS A PRE-STANDARD TYPE AND IS NOT TO BE USED IN ANY NEW APPLICATIONS WITHOUT APPROVAL OF THE R. & D. STAFF'S CONSULTATION.

KEY (ON BOTTOM OF POTTED MODULE)  
 NOTES: 1. SIDE A MOUNTS COMPONENTS, DOUBLE-SIDED ETCHED CIRCUIT BOARD  
 2. REFER TO 605QMD FOR BASIC MARKING INFORMATION.

THIS CIRCUIT CARD USES SIX POTTED MODULES COMBINED WITH A FEW CONVENTIONAL COMPONENTS. THE YELLOW MODULES ARE USED AS ONE-SHOT MULTIVIBRATORS. DYA PRODUCES AN OUTPUT PULSE OF 600 NS DURATION AND HAS C1 EQUAL TO 100 MFD. DYO PRODUCES AN OUTPUT PULSE OF 600 NS DURATION AND HAS C2 EQUAL TO 100 MFD. C1 IS BETWEEN POINT 1 AND 11 ON DYA; AND C2 IS BETWEEN POINTS 1 AND 11 ON DYO. FOR BOTH CIRCUITS, POINT 9 IS AT +6V AND POINT 12 IS GROUND.

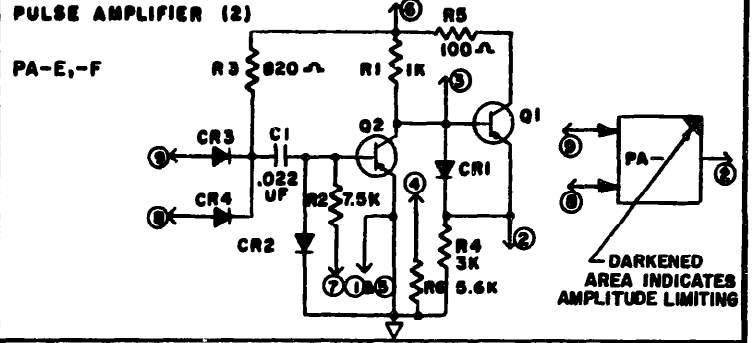
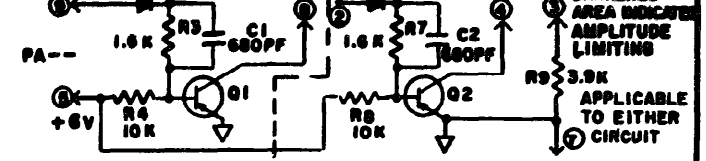
A POSITIVE PULSE OF AT LEAST 0.5 μ SEC. IN DURATION AT POINT 10 WILL PRODUCE A POSITIVE PULSE AT POINT 10 AND A NEGATIVE PULSE AT POINT 2. THE DURATION OF THESE OUTPUT PULSES IS DEPENDENT ON THE SETTING OF THE POT AND THE VALUE OF EXTERNAL CAPACITY USED.

THE ORANGE MODULES EACH CONTAIN TWO POWER AMPLIFIERS. CR1, CR2, R2 AND CR3, CR4, R3 COMPRISE TWO SEPARATE OR GATES FOR THE INPUTS. IF EITHER OF THE INPUTS FROM ONE POWER AMP IS 0V., THE OUTPUT IS -0V. IF BOTH OF THE INPUTS ARE -0V., THE OUTPUT IS 0V. AMPLITUDE LIMITING IS ACCOMPLISHED BY PLACING R4 IN PARALLEL WITH Q1 OR Q2. THIS RESISTOR CAN BE USED WITH ONLY ONE AMPLIFIER AT A TIME.

THE RED MODULES EACH CONTAIN ONE PULSE AMPLIFIER. CR5, CR6 AND R5 ACT AS AN OR GATE FOR THE INPUTS. A POSITIVE STEP AT EITHER OR BOTH INPUT(S) WILL NOT AFFECT THE CONDITION OF THIS CIRCUIT. HOWEVER, A NEGATIVE STEP AT ONE INPUT WHILE THE OTHER IS HELD AT -0V. WILL CAUSE THE CURRENT TO GO TO 0V. THE OUTPUT WILL STAY AT 0V. UNTIL THE BASE OF Q2 GOES POSITIVE (CAUSED BY Q1 CHANGING). THE OUTPUT STAYS AT 0V. FOR APPROXIMATELY 40 μ SEC. AFTER 40 μ SEC. THE OUTPUT GOES TO -0V. UNTIL THE TRAILING END OF THE NEXT INPUT PULSE. AMPLITUDE LIMITING IS ACCOMPLISHED BY TYING POINT 3 TO POINT 4. THIS ALLOWS MORE CURRENT TO FLOW THROUGH R4 AND LESS CURRENT TO FLOW THROUGH R5, THIS LOWERING THE VOLTAGE ACROSS R4.

IN THE TABLE AT THE RIGHT, THE FIRST VERTICAL COLUMN CORRESPONDS TO THE NUMERICAL DESIGNATIONS ON THE SCHEMATIC. THE FIRST HORIZONTAL ROW CORRESPONDS TO THE DESIGNATIONS GIVEN TO EACH MODULE ON THE CARD DRAWING. THE REMAINING PORTION OF THE TABLE INDICATES THE CARD PIN TO WHICH EACH MODULE PIN IS CONNECTED.

FOR FURTHER INFORMATION REFER TO DEPARTMENT OF DEFENSE SPECIFICATION NUMBERS: ON18102Z, ON181704, AND ON181619. OR BENDIX CORPORATION SPECIFICATION: 0652191-0801, 0652192-0801, 0652190-0801



	DY-A	DY-B	PA-C	PA-D	PA-E	PA-F	
①			B5	A4	B16	B16	A16 → GRD
②	B30	B22	A6	A3	A27	B11	B16 → GRD
③			A7	A2	A29	B10	A18 → +6V
④	B31	B23	B4	A1	A30	B9	B18 → +6V
⑤	B36	B25	A18	A18	B16	B16	A36 → +6V
⑥			A20	A20	A20	B20	A25 → +6V
⑦	A20	A20	B16	B16	A18	A18	A20 → -8V
⑧	B16	B16	B6	B1	A31	A11	B20 → -8V
⑨	A36	A25	B7	B2	A28	A12	
⑩	A34	B27	A9	B3			
⑪			A10	A5			
⑫	A33	A23	B8	A6			
⑬	A32	A22					

WDP

**APPROVALS**

R AND D	E OF M
<i>[Signature]</i>	<i>[Signature]</i>
E-NUMBER	
PROD. NO. 303719	
DATE: 2-10-65	
R & D FILE NO. 30-A2/33AA	
DRAWN W/D	CHKD. W/D
ENGD. R/WB	APPD. W/D
<b>TELETYPE CORPORATION</b>	
303719	

REF. DESIG.	TELETYPE PART NO.	TOTAL QTY.	NAME AND DESCRIPTION	LOCATING FUNCTION	REF. DESIG.	TELETYPE PART NO.	TOTAL QTY.	NAME AND DESCRIPTION	LOCATING FUNCTION
	310873	1	ETCHED CIRCUIT BOARD						
PA-C MD	310881	2	POWER AMP POTTED MODULE						
DYA DYE	310882	2	DELAY ALARM POTTED MODULE						
PA-E PA-F	310883	2	PULSE AMP. POTTED MODULE						
NO. 1000	193299	2	5K 1W VARIABLE RESISTOR						
	144138	50	EYELETS						
C1	310930	2	100 MFD CAPACITOR, 10 VOLT						
C2			" " " "						

WDP

**APPROVALS**

R AND D	E OF M
<i>[Signature]</i>	<i>[Signature]</i>
E-NUMBER	
PROD. NO. 303719	
DATE: 2-10-65	
R & D FILE NO. 30-A2/33AA	
DRAWN W/D	CHKD. W/D
ENGD. R/WB	APPD. W/D
<b>TELETYPE CORPORATION</b>	
303719	

**SUPPLEMENTARY HIGH SPEED TAPE SENDER FOR  
THE MULTIPLE ADDRESS PROCESSING SYSTEM (MAPS)  
ACTUAL WIRING DIAGRAMS**

1. GENERAL

1.01 This section provides actual wiring diagram information for the supplementary high speed tape sender circuitry used in the multiple address processing system.

1.02 The following information can be found on each wiring diagram: physical component layout, wiring symbols, terminal numbers and locations, and wire network lists.

2. WIRING DIAGRAM INDEX

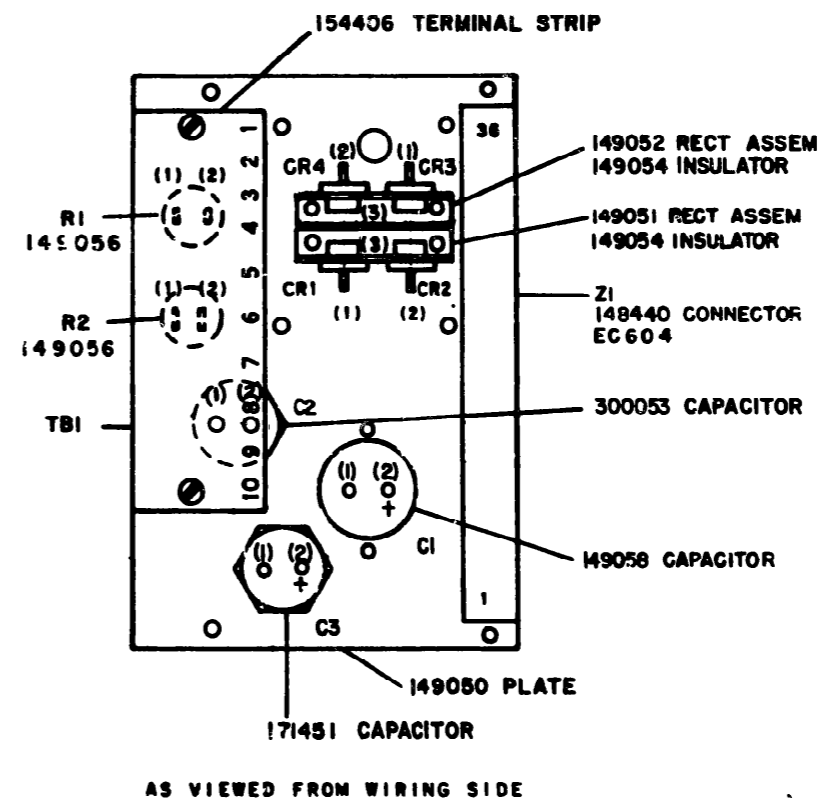
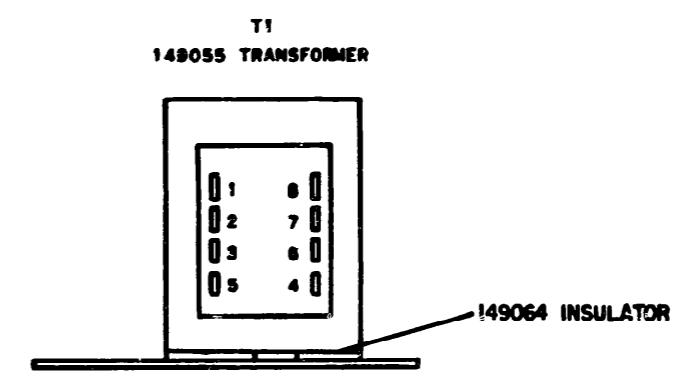
TITLE	DIAGRAM NUMBER	TOTAL CONTROL AND DIAGRAM SHEETS	CONTROL SHEET OR DIAGRAM ISSUE
<b>DX Driver and Power Supply</b>	<b>6436WD</b>	<b>1</b>	<b>2</b>
<b>DX2 Reader</b>	<b>6532WD</b>	<b>1</b>	<b>7</b>
<b>Supplementary Transmitter Cabinet</b>	<b>7711WD</b>	<b>10</b>	<b>4</b>
<b>Tape Transport VC232</b>	<b>7712WD</b>	<b>7</b>	<b>2</b>
<b>Supplementary Control Panel 310913</b>	<b>7713WD</b>	<b>9</b>	<b>1</b>
<b>Module E 310904</b>	<b>7714WD</b>	<b>12</b>	<b>3</b>



NO.	NOTES	COMP.	TERM STRIP	TRANS-FORMER	CARD CONN	DIODE	DIODE	CAP	CAP	CAP	RES	RES
1.	REFER TO 6436WD FOR SCHEMATIC.	COMP. DESIG.	TB1	T1	Z1	CR1 CR2	CR3 CR4	C1	C2	C3	R1	R2
2.	ALL VOLTAGES DC UNLESS OTHERWISE SPECIFIED.	ASSOC. ASSEM.			303604							
3.	PARENTHESES INDICATES TERMINAL DESIGNATIONS FOR REFERENCE ONLY.	COMP. NO.	154406	149055	148440	149051	149052	149056	300053	171451	149056	149056
4.	ALL SURFACE WIRE 18 GA 31773RM GREEN											

110V AC	1	1										
	2	2										
		3					(1)					
GRD	4	4		13				(2)			(1)	
		7		3								
-28V	3	9		9		(3)		(1)			(2)	(2)
+8V	5	12		12			(3)				(2)	
INPUT	6	11		11								
OUT 1	7	5		5								
OUT 2	8	19		19								
RET. 1	9							(1)			(1)	
RET. 2	10							(2)			(2)	(1)
		6		6				(1)				
		8		8				(2)				
		5		5				(2)				



# 6436 WD

REV: 10N:

ISSUE	DATE	AUTH NO
1	5-14-64	15623-R
2	10-9-67	97172-C

ACTUAL  
WIRING DIAGRAM  
FOR  
DX DRIVER AND  
POWER SUPPLY

ASSEM NO. 149060

### APPROVALS

DESIGNER	ECOM
<i>[Signature]</i>	<i>[Signature]</i>

NUMBER  
PROD. NO. 6436WD

DATE 9-30-63

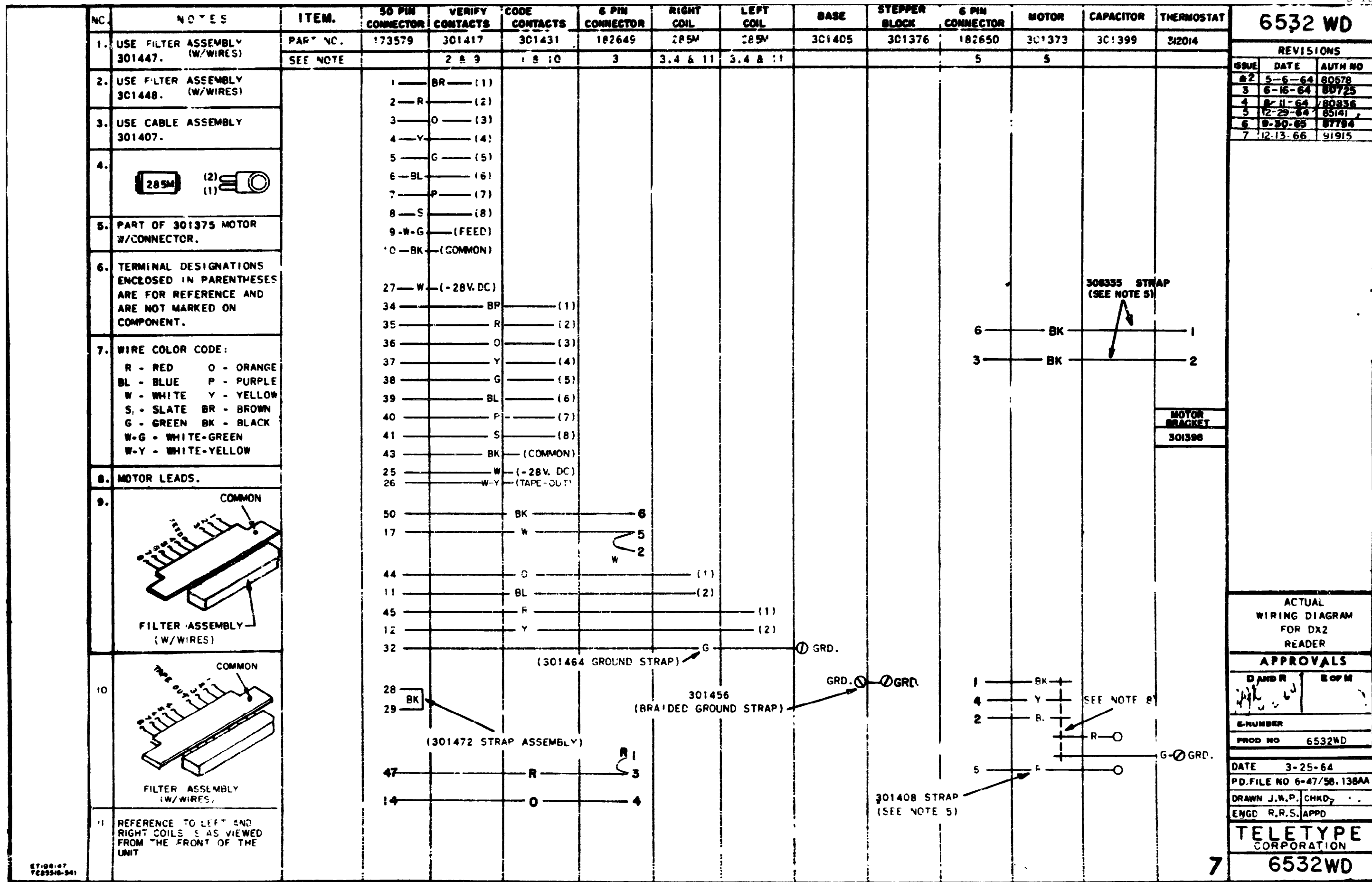
PD FILE NO 2-96.134.184A

DRAWN G.J.M. CHKD *[Signature]*

ENGD I.S.K. APPD *[Signature]*

TELETYPE CORPORATION

# 6436 WD



ET 100-47  
7029310-941

7

ET 101481

# ISSUE CONTROL RECORD

7711 WD

SHEET NO.	ISSUE																		
	2	3	4	5	6	7	8	9	10	11	12	13	14	15	16	17	18	19	
1C																			
2C																			
3C	X																		
4C																			
1X	X	X	X	X															
2X	X	X	X	X															
1	X	X	X	X															
2	X	X	X	X															
3	X	X	X	X															

REVISIONS		
ISSUE	DATE	AUTH. NO.
1	2-26-66	16987A
2	4-4-67	8308A
3	10-24-67	9287A
4	10-25-67	9287A

ISSUE CONTROL SHEET 1 OF 1

Actual Wiring Diagram For Supplementary Transmitter Cabinet AC371

### APPROVALS

D AND R <i>HAK</i>	E OF M <i>[Signature]</i>
-----------------------	------------------------------

E-NUMBER

PROD. NO. 7711WD

DATE: 11-8-65

P.D. FILE NO.

DRAWN BY	CHKD. <i>[Signature]</i>
----------	--------------------------

ENGR. <i>[Signature]</i>	APPD.
--------------------------	-------

TELETYPE CORPORATION

7711 WD

## 1. PAGE NUMBERING

**This WD consists of three sections; the Cover Pages, the Network Listing Index pages, and the Network Listing pages. Each page is numbered to show the page, the section, the total pages in the section, and the total pages in the WD.**

**Page 3C of 4C/30 means the third page of 4 cover pages in a WD having 30 total pages.**

**Page 2X of 11X/30 is the 2nd of 11 index pages in a WD having 30 total pages.**

**Page 10 of 15/30 is the 10th of 15 network pages in a WD having 30 total pages.**

## 2. COVER PAGES

**The Cover pages contain the release information and notes pertaining to the WD.**

## 3. NETWORK LISTING - INDEX

**The Index lists pins in alpha-numerical order and is a cross reference to the number of the network in which they appear.**

## 4. NETWORK LIST

**The Network List is a list of connector pins that are connected together in a common electrical circuit. It lists the pins in from-to-to order. At branching points the first pin of the branch is indented. A second indentation indicates a branch within the first branch. Three indents indicates a third sub branch. If further sub branches are encountered, an indent number is used instead of further indenting.**

**At a branching point the branching pin is connected to the pin listed on the next line below as well as to the pin at the end of the column of dots extending below the branching pin. If no pins are listed directly below or to the right, the branch ends. There is no direct connection between a pin and one listed below and in a column to its left.**

**The asterisk in front of the indent number identifies the first pin of a new sub branch.**

7711 WD PAGE 1C OF 4C/9

**NOTE: REVISION INFORMATION MUST ALSO BE REFLECTED ON THE ISSUE CONTROL RECORD, WHICH IS A PART OF THIS DRAWING.**

**SEE ISSUE CONTROL RECORD FOR COMPLETE LIST OF SHEETS COMPRISING THIS W.D.**

SAMPLE NETWORK (Arrows Show Connection)

<u>Net</u>	<u>Component</u>	<u>Pin</u>		
0143	JD 4	G 6		
0143	XZD314	21		
0143	XZD313	20		
0143	.	XZD313	6	
0143	.	XZD312	6	
0143	.	XZD311	6	
0143	.	XZD313	23	
0143	.	XZD313	25	
0143	.	XZD313	31	
0143	04	XZD313	33	
0143	.	XZD312	33	
0143	.	XZD312	31	
0143	.	XZD311	31	
0143	.	XZD312	25	
0143	.	XZD311	25	
0143	.	XZD312	23	
0143	.	XZD311	23	
0143	XZD312	20		
0143	XZD311	20		
0144	JD 4	G 7		
0144	XZD308	18		
0144	XZD309	18		
0144	XZD310	18		
0144	.	XZD310	28	
0144	.	XZD313	8	
0144	.	XZD314	31	
0144	.	XZD319	29	
0144	.	XZD328	31	
0144	.	XZD309	28	
0144	.	XZD308	28	
0144	XZD310	4		
0144	XZD309	4		

NOTE: REVISION INFORMATION MUST ALSO BE REFLECTED ON THE ISSUE CONTROL RECORD, WHICH IS A PART OF THIS DRAWING.

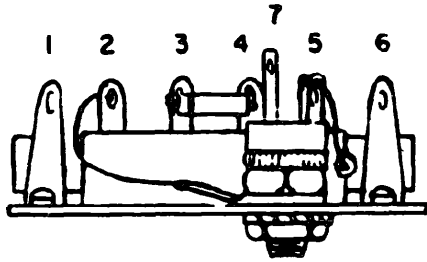
SEE ISSUE CONTROL RECORD FOR COMPLETE LIST OF SHEETS COMPRISING THIS W.D.

- NOTE 1:** Wire is part of 3109 $\frac{1}{4}$  Cable Assembly and must be connected to the indicated "From" Terminal.
- NOTE 2:** Wire is part of 3109 $\frac{1}{4}$  Cable Assembly and must be connected to indicated "To" Terminal.
- NOTE 3:** Wire is part of 3109 $\frac{1}{4}$  Cable Assembly and must be connected to indicated "From" and "To" Terminals.
- NOTE 4:** Wire is part of 3109 $\frac{1}{4}$  Cable Assembly and must be connected to indicated "From" and "To" Terminals with 72597RM Terminal connected on the "To" end of the wire.
- NOTE 5:** Wire must be connected to indicated "From" and "To" terminals with terminals (TF121533) on both ends of wire.
- NOTE 6:** Wire must be connected to indicated "To" Terminal with 72597RM Terminal on "To" end of wire.
- NOTE 8:** Wire is #14 ga. White (RM31116) or #14 ga. Black (RM31080) as indicated in "color-ga."
- NOTE 9:** Wire is 21.5 inches long. Connect to indicated "From" and "To" terminals.
- NOTE 10:** Wire is part of twisted pair 31161RM, and must be connected to indicated "From" and "To" Terminal with 121533 Terminal on "To" end of wire.
- NOTE 11:** Wire must be connected to indicated "From" and "To" Terminals.
- NOTE 12:** Wire is 20 AWG bare wire and must be connected to indicated "From" and "To" Terminals.
- NOTE 13:** Wire must be connected to indicated "From" and "To" Terminal. The "To" Terminal being one of the mounting screws for FLF101. The wire should be 21.5 inches long.
- NOTE 14:** CF101 and CF102 are each 2 mf capacitors No. 193053. Connect to the indicated "From" and "To" terminals with appropriate tubing on each lead.



**NOTE: REVISION INFORMATION MUST ALSO BE REFLECTED ON THE ISSUE CONTROL RECORD, WHICH IS A PART OF THIS DRAWING.**

**SEE ISSUE CONTROL RECORD FOR COMPLETE LIST OF SHEETS COMPRISING THIS W.D.**

**NOTE 15: TERMINAL DESIGNATIONS**

310952

SWF 101 &amp; SWF 102

**NOTE 14:** Use appropriate taping on all leads of JF101 and KF101.

**NOTE 15:** Notes 1, 7, and 9 make up the cabinet wiring.  
 Notes 5, 6, 8, 10, 11, 12 and 14 make up the surface wiring for the 310940 ESU Panel Assembly.  
 Notes 1, 2, and 3 are for wiring the 310944 cable assembly to the 310940 ESU Panel Assembly.

**NOTE 16:** Wire is part of 310944 cable assembly and must be connected to indicated "From" and "To" terminals. The "To" terminal is one of the mounting screws for TBL.

7711 W.D. PAGE 4C OF 4C/4

NOTE: REVISION INFORMATION MUST ALSO BE REFLECTED ON THE ISSUE CONTROL RECORD, WHICH IS A PART OF THIS DRAWING

SEE ISSUE CONTROL RECORD FOR COMPLETE LIST OF SHEETS COMPRISING THIS W.D.



TITLE <b>CABINET WIRING OF SUPPLEMENTARY TRANSMITTER SET VS235</b>				
WIRING DIAGRAM <b>7711WD</b>	ISSUE <b>5</b>	USED ON <b>310940</b>	DATE <b>10/24/67</b>	PAGE <b>1X OF 2X/a</b>

COMPONENT	PIN	NET
CBF101	LIN	0074
CBF101	LOA	0073
CBF102	LIN	0078
CBF102	LOA	0077
CBF103	1	0076
CBF103	2	0078
CF101	1	0033
CF101	2	0020
CF102	1	0033
CF102	2	0021
FRAME	F	0023
J		0049
JF101	1	0001
JF101	2	0002
JF101	3	0003
JF101	4	0004
JF101	5	0005
JF101	6	0006
JF101	7	0007
JF101	8	0008
JF101	9	0009
JF101	10	0010
JF101	11	0011
JF101	12	0012
JF101	13	0013
JF101	14	0014
JF101	15	0015
JF101	16	0016
JF101	17	0017
JF101	18	0018
JF101	20	0019
JF101	21	0020
JF101	23	0021
JF101	26	0022
JF101	27	0023
JF101	28	0024
JF101	29	0025
JF101	30	0026
JF101	31	0027
JF101	32	0028
JF101	33	0029
JF101	34	0030
JF101	35	0031
JF101	36	0032
JF101	37	0033
JF101	40	0034
JF101	46	0035
JF101	47	0036
PE128	A 3	0069
PE128	A 7	0061
PE128	A 8	0001
PE128	A 9	0065
PE128	A10	0068

COMPONENT	PIN	NET
PE128	B 1	0035
PE128	B 2	0033
PE128	B 7	0062
PE128	B 8	0002
PE128	B 9	0066
PE128	B10	0067
PE128	C 1	0070
PE128	C 7	0050
PE128	C 8	0043
PE128	C 9	0005
PE128	C10	0004
PE128	D 1	0022
PE128	D 2	0023
PE128	D 7	0008
PE128	D 8	0057
PE128	D 9	0003
PE128	D10	0006
PE128	E 1	0048
PE128	E 7	0009
PE128	E 8	0058
PE128	E10	0071
PE128	F 7	0010
PE128	F 8	0007
PE128	F 9	0060
PE128	F10	0059
PE128	G 7	0053
PE128	G 8	0054
PE128	G 9	0055
PE128	G10	0056
PE128	H 4	0072
PE128	H 5	0072
PE128	H 6	0072
PE128	H 7	0072
PE128	H 8	0052
PE128	H 9	0064
PE128	H10	0063
PE228	1	0073
PE228	2	0023
PE228	3	0040
PF102	1	0025
PF102	2	0026
PF102	3	0027
PF102	4	0028
PF102	5	0029
PF102	6	0030
PF102	7	0031
PF102	8	0032
PF102	9	0024
PF102	10	0033
PF102	11	0037
PF102	12	0038
PF102	14	0039
PF102	17	0040

COMPONENT	PIN	NET
PF102	20	0041
PF102	21	0041
PF102	25	0042
PF102	26	0043
PF102	27	0042
PF102	32	0023
PF102	34	0011
PF102	35	0012
PF102	36	0013
PF102	37	0014
PF102	38	0015
PF102	39	0016
PF102	40	0017
PF102	41	0018
PF102	43	0033
PF102	44	0044
PF102	45	0045
PF102	47	0046
PF102	50	0047
PF103	1	0048
PF103	2	0041
PF103	3	0049
PF103	4	0041
PF103	5	0050
PF103	7	0051
PF103	8	0041
PF103	9	0034
PF103	10	0034
PF103	11	0034
PF103	12	0034
PF103	13	0034
PF103	14	0034
PF103	15	0034
PF103	16	0023
PF103	17	0033
PF103	18	0052
PF103	19	0053
PF103	20	0054
PF103	21	0055
PF103	22	0056
PF103	23	0019
PF103	24	0057
PF103	25	0058
PF103	26	0059
PF103	27	0060
PF103	28	0061
PF103	29	0062
PF103	30	0063
PF103	31	0064
PF103	32	0065
PF103	33	0066
PF103	34	0034
PF103	35	0067





TITLE <b>CABINET WIRING OF SUPPLEMENTARY TRANSMITTER SET VS235</b>			
WIRING DIAGRAM <b>7711WD</b>	ISSUE <b>5</b>	USED ON <b>310940</b>	DATE <b>10/24/67</b>
			PAGE <b>2X OF 2X/9</b>

COMPONENT	PIN	NET
PF103	36	0068
PF104	1	0039
PF104	2	0046
PF104	3	0047
PF104	4	0075
SWF101	2	0077
SWF101	3	0050
SWF101	4	0048
SWF101	7	0047
SWF102	1	0040
SWF102	2	0073
SWF102	3	0051
SWF102	4	0036
SWF102	6	0040
SWF102	7	0078
TB 1	F	0023
TB 1	1	0076
TB 1	2	0040
TB 1	3	0042
TB 1	4	0033
TB 1	6	0071
TB 1	7	0037
TB 1	8	0045
TB 1	9	0038
TB 1	10	0044
TB 2	1	0023
TB 2	2	0075
TB 2	3	0047
TB 2	4	0040
TBF101	1	0023
TBF101	2	0073
TBF101	3	0040
TBF101	4	0074
TBF102	1	0048
TBF102	2	0023
TBF102	3	0023
TBF102	4	0033
TBF102	5	0034
TBF102	6	0034
TBF102	7	0041
TBF102	8	0072
TBF103	1	0021
TBF103	2	0020
XKF101	1	0020
XKF101	2	0077
XKF101	3	0069
XKF101	6	0021
XKF101	7	0070
XKF101	9	0048
XKF101	10	0040
XKF101	11	0036

COMPONENT	PIN	NET
# OF PINS	-	210
END OF LISTING		

COMPONENT	PIN	NET



CABINET WIRING OF SUPPLEMENTARY TRANSMITTER SET VS235				
WIRING DIAGRAM 7711WD	ISSUE 5	USED ON 310940	DATE 10/24/67	PAGE 1 OF 3/9

NET	COMPONENT	PIN
0001	JF101	1
0001	PE128	A 8
0002	JF101	2
0002	PE128	B 8
0003	JF101	3
0003	PE128	D 9
0004	JF101	4
0004	PE128	C10
0005	JF101	5
0005	PE128	C 9
0006	JF101	6
0006	PE128	D10
0007	JF101	7
0007	PE128	F 8
0008	JF101	8
0008	PE128	D 7
0009	JF101	9
0009	PE128	E 7
0010	JF101	10
0010	PE128	F 7
0011	JF101	11
0011	PF102	34
0012	JF101	12
0012	PF102	35
0013	JF101	13
0013	PF102	36
0014	JF101	14
0014	PF102	37
0015	JF101	15
0015	PF102	38
0016	JF101	16
0016	PF102	39
0017	JF101	17
0017	PF102	40
0018	JF101	18

NET	COMPONENT	PIN
0018	PF102	41
0019	JF101	20
0019	PF103	23
0020	JF101	21
0020	XKF101	1
0020	TBF103	2
0020	CF101	2
0021	JF101	23
0021	XKF101	6
0021	TBF103	1
0021	CF102	2
0022	JF101	26
0022	PE128	D 1
0023	JF101	27
0023	TBF102	3
0023	PE128	2
0023	TBF101	1
0023	TBF102	2
0023	PF103	16
0023	TB	2
0023	FRAME	F
0023	TB	1
0023	PF102	32
0023	PE128	D 2
0024	JF101	28
0024	PF102	9
0025	JF101	29
0025	PF102	1
0026	JF101	30
0026	PF102	2
0027	JF101	31
0027	PF102	3
0028	JF101	32
0028	PF102	4
0029	JF101	33
0029	PF102	5
0030	JF101	34
0030	PF102	6
0031	JF101	35
0031	PF102	7



TITLE <b>CABINET WIRING OF SUPPLEMENTARY TRANSMITTER SET VS235</b>				
WIRING DIAGRAM <b>7711WD</b>	ISSUE <b>5</b>	USED ON <b>310940</b>	DATE <b>10/24/67</b>	PAGE <b>2</b> OF <b>3/4</b>

NET	COMPONENT	PIN
0032	JF101	36
0032	PF102	8
0033	JF101	37
0033	TBF102	4
0033	. . . . . PF103	17
0033	. . . . . PE128	B 2
0033	. . . TB	1 4
0033	. . CF101	1
0033	. CF102	1
0033	PF102	10
0033	PF102	43
0034	JF101	40
0034	TBF102	5
0034	. . . . . PF103	14
0034	. . . . . PF103	15
0034	. . PF103	34
0034	. TBF102	6
0034	. . . . . PF103	10
0034	. . . . . PF103	11
0034	. . PF103	12
0034	. PF103	9
0034	PF103	13
0035	JF101	46
0035	PE128	B 1
0036	JF101	47
0036	XKF101	11
0036	SWF102	4
0037	PF102	11
0037	TB 1	7
0038	PF102	12
0038	TB 1	9
0039	PF102	14
0039	PF104	1
0040	PF102	17
0040	SWF102	1
0040	. . TB	1 2
0040	. SWF102	6
0040	. . . TBF101	3
0040	. . . XKF101	10
0040	. PE228	3
0040	TB 2	4
0041	PF102	20
0041	TBF102	7

NET	COMPONENT	PIN
0041	. . . PF103	2
0041	. . PF103	4
0041	. PF103	8
0041	PF102	21
0042	PF102	27
0042	PF102	25
0042	TB 1	3
0043	PF102	26
0043	PE128	C 8
0044	PF102	44
0044	TB 1	10
0045	PF102	45
0045	TB 1	8
0046	PF102	47
0046	PF104	2
0047	PF102	50
0047	SWF101	7
0047	TB 2	3
0047	PF104	3
0048	PF103	1
0048	TBF102	1
0048	. . XKF101	9
0048	. SWF101	4
0048	PE128	E 1
0049	PF103	3
0049	J	00
0050	PF103	5
0050	SWF101	3
0050	PE128	C 7
0051	PF103	7
0051	SWF102	3
0052	PF103	18
0052	PE128	H 8
0053	PF103	19
0053	PE128	G 7
0054	PF103	20
0054	PE128	G 8
0055	PF103	21
0055	PE128	G 9



<b>TITLE</b> CABINET WIRING OF SUPPLEMENTARY TRANSMITTER SET VS235				
<b>WIRING DIAGRAM</b> 7711WD	<b>ISSUE</b> 5	<b>USED ON</b> 310940	<b>DATE</b> 10/24/67	<b>PAGE</b> 3 <b>OF</b> 3/4

NET	COMPONENT	PIN
0056	PF103	22
0056	PE128	G10
0057	PF103	24
0057	PE128	D 8
0058	PF103	25
0058	PE128	E 8
0059	PF103	26
0059	PE128	F10
0060	PF103	27
0060	PE128	F 9
0061	PF103	28
0061	PE128	A 7
0062	PF103	29
0062	PE128	B 7
0063	PF103	30
0063	PE128	H10
0064	PF103	31
0064	PE128	H 9
0065	PF103	32
0065	PE128	A 9
0066	PF103	33
0066	PE128	B 9
0067	PF103	35
0067	PE128	B10
0068	PF103	36
0068	PE128	A10
0069	PE128	A 3
0069	XKF101	3
0070	PE128	C 1
0070	XKF101	7
0071	PE128	E10
0071	TB 1	6
0072	PE128	H 4
0072	TBF102	1
0072	• PE128	F 6
0072	• PE128	F 7

NET	COMPONENT	PIN
0072	PE128	H 5
0073	PE228	1
0073	SWF102	2
0073	TBF101	2
0073	CBF101	LOA
0074	TBF101	4
0074	CBF101	LIN
0075	TB 2	2
0075	PF104	4
0076	TB 1	1
0076	CBF103	1
0077	XKF101	2
0077	SWF101	2
0077	CBF102	LOA
0078	SWF102	7
0078	CBF102	LIN
0078	CBF103	2

NUMBER OF WIRES - 132

END OF LISTING



1. PAGE NUMBERING

3 - 1.6.8

**This WD consists of three sections; the Cover Pages, the Network Listing Index pages, and the Network Listing pages. Each page is numbered to show the page, the section, the total pages in the section, and the total pages in the WD.**

**Page 3C of 4C/30 means the third page of 4 cover pages in a WD having 30 total pages.**

**Page 2X of 11X/30 is the 2nd of 11 index pages in a WD having 30 total pages.**

**Page 10 of 15/30 is the 10th of 15 network pages in a WD having 30 total pages.**

2. COVER PAGES

**The Cover pages contain the release information and notes pertaining to the WD.**

3. NETWORK LISTING - INDEX

**The Index lists pins in alpha-numerical order and is a cross reference to the number of the network in which they appear.**

4. NETWORK LIST

**The Network List is a list of connector pins that are connected together in a common electrical circuit. It lists the pins in from-to-to order. At branching points the first pin of the branch is indented. A second indentation indicates a branch within the first branch. Three indents indicates a third sub branch. If further sub branches are encountered, an indent number is used instead of further indenting.**

**At a branching point the branching pin is connected to the pin listed on the next line below as well as to the pin at the end of the column of dots extending below the branching pin. If no pins are listed directly below or to the right, the branch ends. There is no direct connection between a pin and one listed below and in a column to its left.**

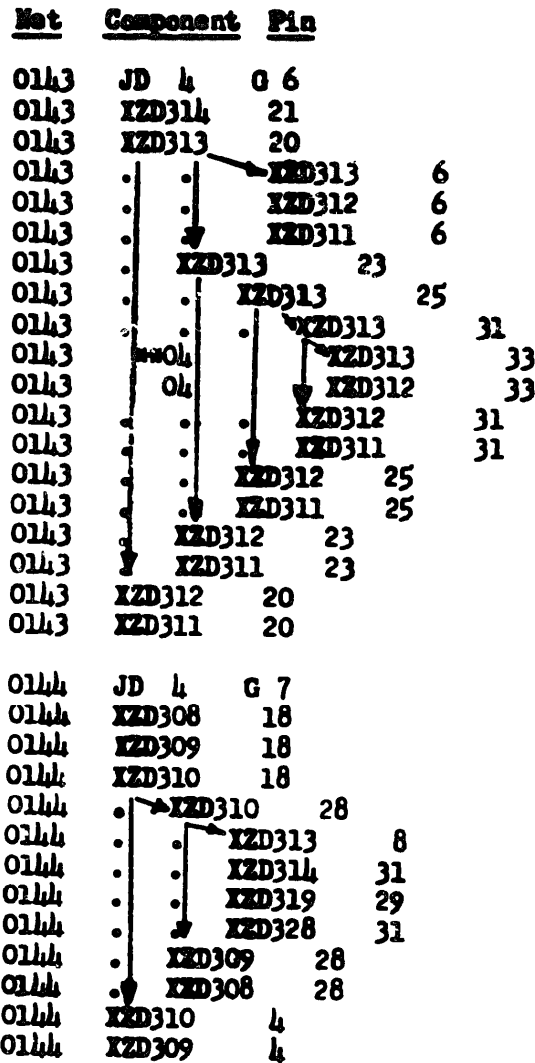
**The asterisk in front of the indent number identifies the first pin of a new sub branch.**

7712 WD PAGE 1C OF 4C/6

**NOTE: REVISION INFORMATION MUST ALSO BE REFLECTED ON THE ISSUE CONTROL RECORD, WHICH IS A PART OF THIS DRAWING.**

**SEE ISSUE CONTROL RECORD FOR COMPLETE LIST OF SHEETS COMPRISING THIS W.D.**

SAMPLE NETWORK (Arrows Show Connections)



NOTE: REVISION INFORMATION MUST ALSO BE REFLECTED ON THE ISSUE CONTROL RECORD, WHICH IS A PART OF THIS DRAWING.

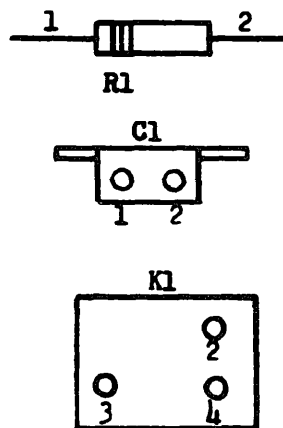
SEE ISSUE CONTROL RECORD FOR COMPLETE LIST OF SHEETS COMPRISING THIS W.D.

**NOTE 1:** Wire must be connected to indicated "From" and "To" terminals with 72597 RM terminal on both ends.

**NOTE 2:** Wire is part of winder motor assembly. It must be connected to indicated "To" Terminal.

**NOTE 3:** Wire must be connected to indicated "From" and "To" terminals with 72597 RM terminal on "To" end.

**NOTE 4:**



Green 20 AWG is 32148 RM

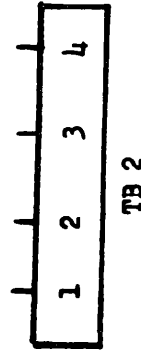
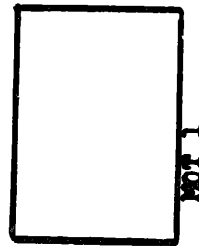
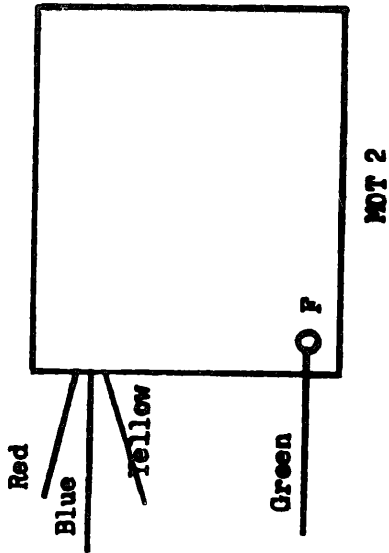
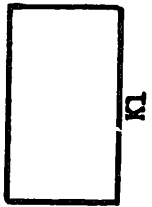
Black 18 AWG is 31880 RM

SEE ISSUE CONTROL  
RECORD FOR COM-  
PLETE LIST OF SHEETS  
COMPRISING THIS  
W.D.

**NOTE:** REVISION INFOR-  
MATION MUST ALSO BE  
REFLECTED ON THE ISSUE  
CONTROL RECORD, WHICH  
IS A PART OF THIS  
DRAWING.

7712 WD PAGE 3C OF 4C/6





REAR VIEW OF READER & WINDER MOTORS

NOTE: REVISION INFORMATION MUST ALSO BE REFLECTED ON THE ISSUE CONTROL RECORD, WHICH IS A PART OF THIS DRAWING.

7712MD

PAGE

4C OF 4C/6

SEE ISSUE CONTROL RECORD FOR COMPLETE LIST OF SHEETS COMPRISING THIS W.D.



TITLE <b>TAPE TRANSPORT ASSEMBLY</b>			
WIRING DIAGRAM <b>7712WD</b>	ISSUE <b>2 X</b>	USED ON <b>MAPS IV</b>	DATE <b>10/20/67</b>
PAGE		<b>1X OF 1X/6</b>	

COMPONENT	PIN	NET	COMPONENT	PIN	NET	COMPONENT	PIN	NET
C	1	1	0002					
C	1	2	0006					
K	1	2	0004					
K	1	3	0005					
K	1	4	0002					
MOT	2	F	0001					
MOT	2	R	0004					
MOT	2	Y	0009					
MOT	2	BL	0005					
R	1	1	0006					
R	1	2	0004					
TB	2	1	0001					
TB	2	2	0002					
TB	2	4	0003					
# OF PINS -		14						
END OF LISTING								



TITLE <b>TAPE TRANSPORT ASSEMBLY</b>			
WIRING DIAGRAM <b>7712WD</b>	ISSUE <b>2</b>	USED ON <b>MAPS IV</b>	DATE <b>10/20/67</b>
PAGE <b>1</b>		OF <b>1/6</b>	

NET	COMPONENT	PIN	NET	COMPONENT	PIN
0001	TB 2	1			
0001	MOT 2	F			
0002	TB 2	2			
0002	K 1	4			
0002	C 1	1			
0003	TB 2	4			
0003	MOT 2	Y			
0004	R 1	2			
0004	K 1	2			
0004	MOT 2	R			
0005	K 1	3			
0005	MOT 2	BL			
0006	C 1	2			
0006	R 1,	1			
<p><b>NUMBER OF WIRES - 8</b></p> <p><b>END OF LISTING</b></p>					

# ISSUE CONTROL RECORD

**7713 WD**

SHEET NO.	ISSUE																		
	2	3	4	5	6	7	8	9	10	11	12	13	14	15	16	17	18	19	
1C																			
2C																			
3C																			
4C																			
5C																			
6C																			
7																			
8																			
9																			
10																			
11																			
12																			
13																			
14																			
15																			
16																			
17																			
18																			
19																			

REVISIONS		
ISSUE	DATE	AUTH. NO.
7	8-24-64	

**ISSUE CONTROL SHEET 1 OF 1**

Actual Wiring Diagram  
For Supplementary  
Control Panel 310913

**APPROVALS**

D AND R <i>HJK</i>	E O P M <i>[Signature]</i>
-----------------------	-------------------------------

DRAWN BY

PROJ. NO. 7713WD

DATE: 11-8-65

P.D. FILE NO.

DRAWN. HJR	CHKD. <i>[Signature]</i>	APPD.
ENGR. EJR	APPD.	

**TELETYPE CORPORATION**

**7713 WD**

## 1. PAGE NUMBERING

**This WD consists of three sections; the Cover Pages, the Network Listing Index pages, and the Network Listing pages. Each page is numbered to show the page, the section, the total pages in the section, and the total pages in the WD.**

**Page 3C of 4C/30 means the third page of 4 cover pages in a WD having 30 total pages.**

**Page 2X of 11X/30 is the 2nd of 11 index pages in a WD having 30 total pages.**

**Page 10 of 15/30 is the 10th of 15 network pages in a WD having 30 total pages.**

## 2. COVER PAGES

**The Cover pages contain the release information and notes pertaining to the WD.**

## 3. NETWORK LISTING - INDEX

**The Index lists pins in alpha-numerical order and is a cross reference to the number of the network in which they appear.**

## 4. NETWORK LIST

**The Network List is a list of connector pins that are connected together in a common electrical circuit. It lists the pins in from-to order. At branching points the first pin of the branch is indented. A second indentation indicates a branch within the first branch. Three indents indicates a third sub branch. If further sub branches are encountered, an indent number is used instead of further indenting.**

**At a branching point the branching pin is connected to the pin listed on the next line below as well as to the pin at the end of the column of dots extending below the branching pin. If no pins are listed directly below or to the right, the branch ends. There is no direct connection between a pin and one listed below and in a column to its left.**

**The asterisk in front of the indent number identifies the first pin of a new sub branch.**

SAMPLE NETWORK (Arrows Show Connections)

<u>Net</u>	<u>Component</u>	<u>Pin</u>		
0143	JD 4	G 6		
0143	XZD314	21		
0143	XZD313	20		
0143	·	·	XZD313	6
0143	·	·	XZD312	6
0143	·	·	XZD311	6
0143	·	·	XZD313	23
0143	·	·	XZD313	25
0143	·	·	XZD313	31
0143	·	·	XZD313	33
0143	·	·	XZD312	33
0143	·	·	XZD312	31
0143	·	·	XZD311	31
0143	·	·	XZD312	25
0143	·	·	XZD311	25
0143	·	·	XZD312	23
0143	·	·	XZD311	23
0143	XZD312	20		
0143	XZD311	20		
0144	JD 4	G 7		
0144	XZD308	18		
0144	XZD309	18		
0144	XZD310	18		
0144	·	·	XZD310	28
0144	·	·	XZD313	8
0144	·	·	XZD314	31
0144	·	·	XZD319	29
0144	·	·	XZD328	31
0144	·	·	XZD309	28
0144	·	·	XZD308	28
0144	XZD310	4		
0144	XZD309	4		

**NOTE 1:** Connect IN682 Diode (177611) to the indicated "To" terminals with 60340 RM Tubing on each end of diode.



**NOTE 2:** Connect 150 ohm resistor (310988) to the indicated "To" terminal.



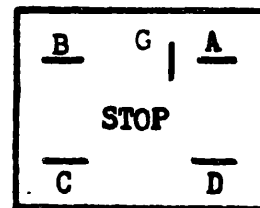
**NOTE 3:** Wire must be connected to the indicated "From" and "To" terminals. The "To" end of the wire must have a 72597 L1 terminal connected to it. The "To" terminal is a screw on the JF 103 connector mount.

**NOTE 4:** Use 155754 tubing on the following pins of JF103: 5, 9, 10, 11, 12, 13, 14, 15, 16, 17, 18, 19, 20, 21, 22, 23, 24, 25, 26, 27, 28, 29, 30, 31, 32, 33, 34, 35, and 36.

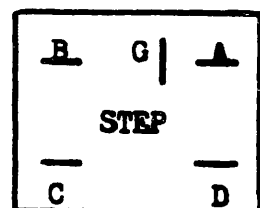
**NOTE 5:** Use 155752 tubing on the following pins of JF103: 1, 3, and 7.

**NOTE 6:** All white 20 AWG is 31722 RM  
 All black 20 AWG is 31721 RM  
 All red 20 AWG is 32147 RM  
 All green 24 AWG is 31784 RM

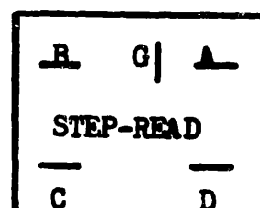
**NOTE 7:** Switch designations S#F - - - and SF - - - are identical. In the actual wiring diagram it appears as SF - - -. In the schematic wiring diagram it appears as S#F - - -.



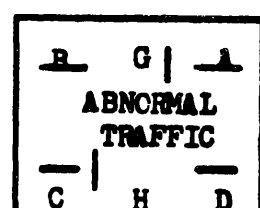
DSF101



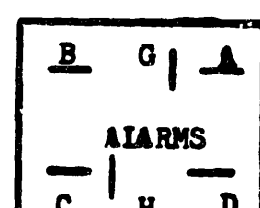
DSF102



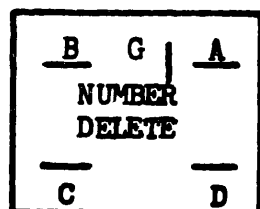
DSF103



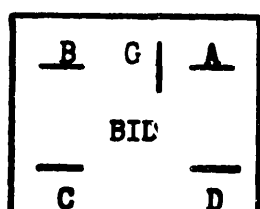
DSF104



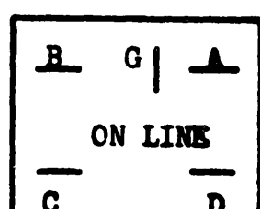
DSF105



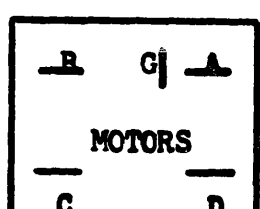
DSF106



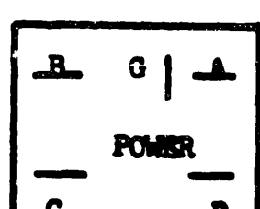
DSF107



DSF108



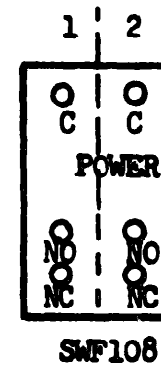
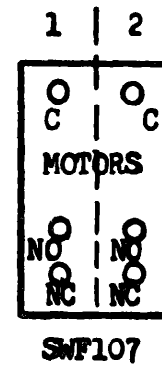
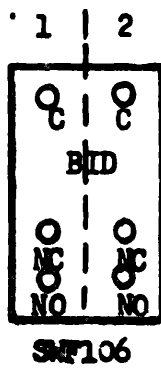
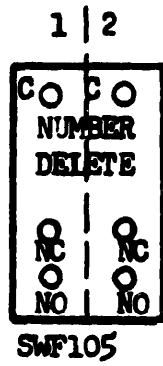
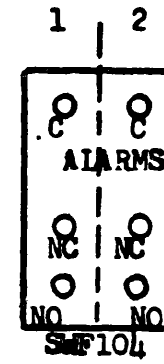
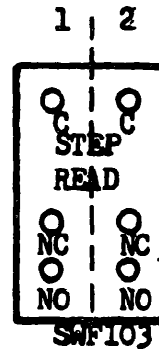
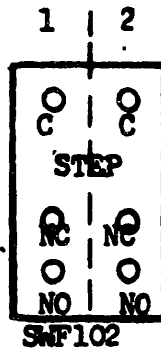
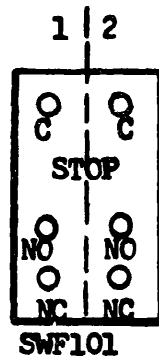
DSF109



DSF110

LAMP ASSEMBLY  
(Viewed from Wiring Side)





SWITCH ASSEMBLY  
(Viewed from Wiring Side)



**CONTROL PANEL WIRING OF SUPPLEMENTARY TRANSMITTER SET VS235**

WIRING DIAGRAM <b>7713WD</b>	ISSUE <b>1</b>	USED ON <b>31Q913</b>	DATE <b>02/10/66</b>	PAGE <b>1X OF 8.</b>
---------------------------------	-------------------	--------------------------	-------------------------	-------------------------

COMPONENT	PIN	NET
CRF101	A	0016
CRF101	C	0028
CRF102	A	0033
CRF102	C	0035
<del>CRF102</del>	<del>1</del>	<del>0027</del>
<del>CRF102</del>	<del>5</del>	<del>0017</del>
<del>CRF102</del>	<del>7</del>	<del>0019</del>
JF103	9	0020
JF103	10	0021
JF103	11	0022
JF103	12	0023
<del>JF103</del>	<del>13</del>	<del>0024</del>
<del>JF103</del>	<del>14</del>	<del>0025</del>
<del>JF103</del>	<del>15</del>	<del>0026</del>
<del>JF103</del>	<del>16</del>	<del>0027</del>
JF103	17	0003
JF103	18	0028
JF103	19	0029
JF103	20	0030
<del>JF103</del>	<del>21</del>	<del>0031</del>
<del>JF103</del>	<del>22</del>	<del>0032</del>
<del>JF103</del>	<del>23</del>	<del>0033</del>
<del>JF103</del>	<del>24</del>	<del>0014</del>
JF103	25	0015
JF103	26	0006
JF103	27	0007
JF103	28	0012
<del>JF103</del>	<del>29</del>	<del>0013</del>
JF103	30	0010
JF103	31	0011
JF103	32	0008
JF103	33	0009
JF103	34	0034
JF103	35	0005
JF103	36	0004
RF101	1	0016
RF101	2	0002
RF102	1	0001
RF102	2	0002
RF103	1	0035
RF103	2	0003
SF101	1 C	0001
SF101	1NO	0002
SF101	2 C	0003
SF101	2NC	0004
SF101	2NO	0004
SF102	2 C	0003
SF102	2NC	0007
SF102	2NO	0006
SF103	2 C	0003
SF103	2NC	0009
SF103	2NO	0008

COMPONENT	PIN	NET
SF104	2 C	0003
SF104	2NC	0011
SF104	2NO	0010
SF105	2 C	0003
<del>SF105</del>	<del>2NC</del>	<del>0013</del>
<del>SF105</del>	<del>2NO</del>	<del>0012</del>
<del>SF106</del>	<del>2 C</del>	<del>0003</del>
<del>SF106</del>	<del>2NC</del>	<del>0018</del>
SF106	2NO	0014
SF107	1 C	0016
SF107	1NO	0002
SF107	2 C	0003
<del>SF107</del>	<del>2NO</del>	<del>0017</del>
<del>SF108</del>	<del>1 C</del>	<del>0016</del>
<del>SF108</del>	<del>1NO</del>	<del>0002</del>
<del>SF108</del>	<del>2 C</del>	<del>0003</del>
SF108	2NO	0019
XDSF101	A	0001
XDSF101	B	0001
XDSF101	C	0001
<del>XDSF101</del>	<del>D</del>	<del>0001</del>
<del>XDSF101</del>	<del>E</del>	<del>0020</del>
<del>XDSF103</del>	<del>A</del>	<del>0033</del>
<del>XDSF103</del>	<del>B</del>	<del>0033</del>
XDSF103	C	0028
XDSF103	D	0016
XDSF104	A	0035
XDSF104	B	0035
<del>XDSF104</del>	<del>C</del>	<del>0035</del>
<del>XDSF104</del>	<del>D</del>	<del>0035</del>
XDSF104	G	0002
XDSF105	A	0031
XDSF105	B	0031
XDSF105	C	0030
XDSF105	D	0030
XDSF105	G	0021
<del>XDSF105</del>	<del>H</del>	<del>0022</del>
<del>XDSF106</del>	<del>A</del>	<del>0029</del>
<del>XDSF106</del>	<del>B</del>	<del>0029</del>
<del>XDSF106</del>	<del>C</del>	<del>0029</del>
XDSF106	D	0029
XDSF106	G	0023
XDSF107	A	0028
XDSF107	B	0028
<del>XDSF107</del>	<del>C</del>	<del>0028</del>
<del>XDSF107</del>	<del>D</del>	<del>0028</del>
<del>XDSF107</del>	<del>E</del>	<del>0024</del>
<del>XDSF108</del>	<del>A</del>	<del>0032</del>
XDSF108	B	0032
XDSF108	C	0032
XDSF108	D	0032
XDSF108	G	0025
XDSF109	A	0016

COMPONENT	PIN	NET
XDSF109	B	0016
XDSF109	C	0016
XDSF109	D	0016
XDSF109	G	0026
XDSF110	A	0018
<del>XDSF110</del>	<del>B</del>	<del>0018</del>
<del>XDSF110</del>	<del>C</del>	<del>0018</del>
<del>XDSF110</del>	<del>D</del>	<del>0018</del>
XDSF110	G	0034

# OF PINS - 115

END OF LISTING



TITLE <b>CONTROL PANEL WIRING OF SUPPLEMENTARY TRANSMITTER SET VS235</b>			
WIRING DIAGRAM <b>7713WD</b>	ISSUE <b>1</b>	USED ON <b>310913</b>	DATE <b>02/10/66</b>
PAGE <b>1</b> OF <b>2/8</b>			

NET	COMPONENT	PIN
0001	XDSF101	A
0001	XDSF101	B
0001	XDSF101	C
0001	XDSF101	D
0001	SF101	10C
0001	-RF102	1
0002	JF103	1
0002	XDSF104	G
0002	SF108	1ND
0002	SF107	1ND
0002	. RF101	2
0002	SF101	1ND
0002	RF102	2
0003	SF108	20C
0003	SF107	20C
0003	. JF103	17
0003	SF106	20C
0003	SF105	20C
0003	SF101	20C
0003	SF102	20C
0003	SF103	20C
0003	SF104	20C
0003	RF103	2
0004	SF101	2ND
0004	JF103	36
0005	SF101	2NC
0005	JF103	35
0006	SF102	2ND
0006	JF103	26
0007	SF102	2NC
0007	JF103	27
0008	SF103	2ND
0008	JF103	32
0009	SF103	2NC
0009	JF103	33
0010	SF104	2ND
0010	JF103	30
0011	SF104	2NC
0011	JF103	31
0012	SF105	2ND
0012	JF103	28

NET	COMPONENT	PIN
0013	SF105	2NC
0013	JF103	29
0014	SF106	2ND
0014	JF103	24
0015	SF106	2NC
0015	JF103	25
0016	CRF101	A
0016	XDSF103	D
0016	XDSF109	A
0016	XDSF109	B
0016	XDSF109	C
0016	XDSF109	D
0016	SF107	10C
0016	RF101	1
0017	SF107	2ND
0017	JF103	5
0018	SF108	10C
0018	XDSF110	D
0018	XDSF110	C
0018	XDSF110	B
0018	XDSF110	A
0019	SF108	2ND
0019	JF103	7
0020	JF103	9
0020	XDSF101	G
0021	JF103	10
0021	XDSF105	G
0022	JF103	11
0022	XDSF105	H
0023	JF103	12
0023	XDSF106	G
0024	JF103	13
0024	XDSF107	G
0025	JF103	14
0025	XDSF108	G
0026	JF103	15
0026	XDSF109	G
0027	JF103	16



NETWORK LISTING (TABULAR WIRING DIAGRAM)

3 - 1 8 2

<b>TITLE</b> <b>CONTROL PANEL WIRING OF SUPPLEMENTARY TRANSMITTER SET VS235</b>			
<b>WIRING DIAGRAM</b> 7713WD	<b>ISSUE</b> 1	<b>USED ON</b> 310913	<b>DATE</b> 02/10/66
		<b>PAGE</b> 2	<b>OF</b> 2/8

NET	COMPONENT	PIN
0027	FRAME	
0028	JF103	18
0028	XDSF107	D
0028	XDSF107	C
0028	XDSF107	B
0028	XDSF107	A
0028	XDSF103	C
0028	CRF101	C
0029	JF103	19
0029	XDSF106	D
0029	XDSF106	C
0029	XDSF106	B
0029	XDSF106	A
0030	JF103	20
0030	XDSF105	D
0030	XDSF105	C
0031	JF103	21
0031	XDSF105	B
0031	XDSF105	A
0032	JF103	22
0032	XDSF108	D
0032	XDSF108	C
0032	XDSF108	B
0032	XDSF108	A
0033	JF103	23
0033	XDSF103	A
0033	CRF102	A
0034	JF103	34
0034	XDSF110	G
0035	XDSF104	A
0035	XDSF104	B
0035	XDSF104	C
0035	XDSF104	D
0035	RF103	1
0035	XDSF103	B
0035	CRF102	C

NUMBER OF WIRES - 80

END OF LISTING

NET	COMPONENT	PIN
-----	-----------	-----

# ISSUE CONTROL RECORD

7714 WD

SHEET NO.	ISSUE																		
	2	3	4	5	6	7	8	9	10	11	12	13	14	15	16	17	18	19	
1C																			
2C																			
3C	X	X	X																
1X	X	X	X																
2X	X	X	X																
3X	X	X	X																
1	X	X	X																
2	X	X	X																
3	X	X	X																
4	X	X	X																
5	X	X	X																
4C																			

REVISIONS		
ISSUE	DATE	AUTH. NO.
1	2-26-66	16988R
2	1-22-69	98245
3	4-16-69	99113

WDP

ISSUE CONTROL SHEET 1 OF 1

Actual Wiring Diagram For Module E 31090h

### APPROVALS

DRGR	ECFM
<i>HJK</i>	<i>[Signature]</i>

FIG. NO. 7714WD

DATE: 11-8-65

RD. FILE NO.

DRGR. MAR. ENG. *[Signature]*  
ENGR. RJH APPR. *[Signature]*

TELETYPE CORPORATION

7714 WD

NO  
M/  
RE  
CO  
IS  
08



## 1. PAGE NUMBERING

This WD consists of three sections; the Cover Pages, the Network Listing Index pages, and the Network Listing pages. Each page is numbered to show the page, the section, the total pages in the section, and the total pages in the WD.

Page 3C of 4C/30 means the third page of 4 cover pages in a WD having 30 total pages.

Page 2X of 11X/30 is the 2nd of 11 index pages in a WD having 30 total pages.

Page 10 of 15/30 is the 10th of 15 network pages in a WD having 30 total pages.

## 2. COVER PAGES

The Cover pages contain the release information and notes pertaining to the WD.

## 3. NETWORK LISTING - INDEX

The Index lists pins in alpha-numerical order and is a cross reference to the number of the network in which they appear.

## 4. NETWORK LIST

The Network List is a list of connector pins that are connected together in a common electrical circuit. It lists the pins in from-to-to order. At branching points the first pin of the branch is indented. A second indentation indicates a branch within the first branch. Three indents indicates a third sub branch. If further sub branches are encountered, an indent number is used instead of further indenting.

At a branching point the branching pin is connected to the pin listed on the next line below as well as to the pin at the end of the column of dots extending below the branching pin. If no pins are listed directly below or to the right, the branch ends. There is no direct connection between a pin and one listed below and in a column to its left.

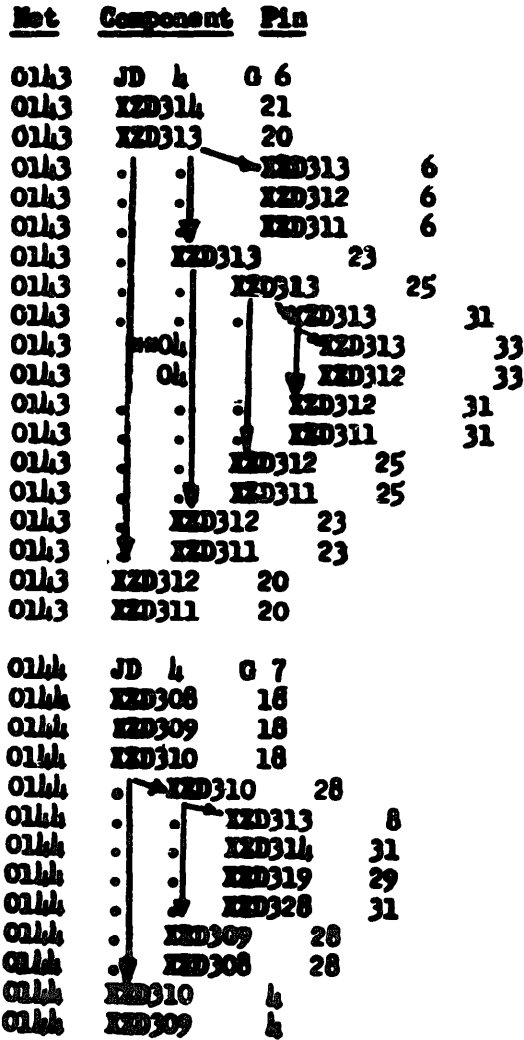
The asterisk in front of the indent number identifies the first pin of a new sub branch.

7714 WD PAGE 1C OF 3C/12

-----  
 REVISION INFORMATION MUST ALSO BE FILED IN THE ISSUE CONTROL RECORD, WHICH IS A PART OF THIS DRAWING.  
 SEE ISSUE CONTROL RECORD FOR COMPLETE LIST OF SHEETS COMPRISING THIS W.D.



SAMPLE NETWORK (Arrows Show Connections)



NOTE: REVISION INFORMATION MUST ALSO BE REFLECTED ON THE ISSUE CONTROL RECORD, WHICH IS A PART OF THIS DRAWING.

SEE ISSUE CONTROL RECORD FOR COMPLETE LIST OF SHEETS COMPRISING THIS W.D.

774 MD PAGE 3C OF 3C/12

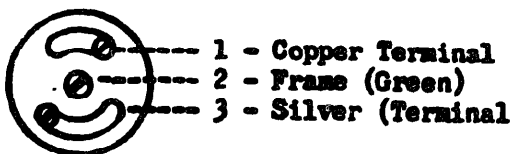


MODULE E

NOTE 1. Refer to 7710WD for schematic

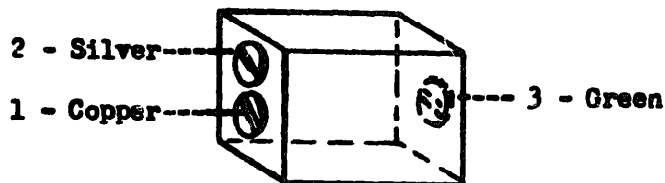
2. A-C receptacle

Wired Side

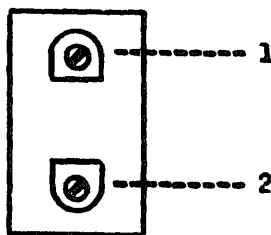


3. Aux. outlet on front plate

Rear View

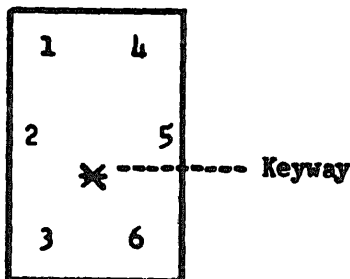


4. Circuit Breaker



5. Toggle switch terminal locations

Wiring Side



SWE122

6. ON ISSUE 1, XZE112, PIN B32 WAS CONNECTED BETWEEN XZE100, PIN A1C AND XZE114, PIN B23 IN NETWORK 0022; AND XZE112, PIN B32 WAS ABSENT FROM NETWORK 0020.

FILE. REVISION AND INFORMATION MUST ALSO BE REFLECTED IN THE CONTROL RECORD, WHICH IS A PART OF THIS DRAWING. SEE ISSUE CONTROL RECORD FOR COMPLETE LIST OF SHEETS COMPRISING THIS W.D.





MODULE E

**NOTE 7. ON ISSUE 2, XZE112, PIN A30 WAS CONNECTED TO XZE112, PIN A16 IN NETWORK 0002;  
AND XZE112, PIN A30 WAS ABSENT FROM NETWORK 0022.**

TE: REVISION INFOR-  
TION MUST ALSO BE  
LECTED ON THE ISSUE  
NTROL RECORD, WHICH  
A PART OF THIS  
WING.

SEE ISSUE CONTROL  
RECORD FOR COM-  
PLETE LIST OF SHEETS  
COMPRISING THIS  
W.D.







<b>TITLE</b> <b>MODULE E WIRING OF SUPPLEMENTARY TRANSMITTER SET VS235</b>			
<b>WIRING DIAGRAM</b> 7714WD	<b>ISSUE</b> 3	<b>USED ON</b> 310904	<b>DATE</b> 04/21/69
<b>PAGE</b>		3X OF 3X/12	

COMPONENT	PIN	NET	COMPONENT	PIN	NET	COMPONENT	PIN	NET
XZE116	B28	0089						
XZE116	B29	0054						
XZE116	B30	0090						
XZE116	B32	0091						
XZE116	B34	0090						
XZE118	A 1	0101						
XZE118	A 6	0021						
XZE118	A 7	0018						
XZE118	A 9	0061						
XZE118	A10	0096						
XZE118	A11	0105						
XZE118	A14	0088						
XZE118	A16	0002						
XZE118	A17	0055						
XZE118	A18	0001						
XZE118	A20	0005						
XZE118	B 4	0003						
XZE118	B 5	0105						
XZE118	B 6	0059						
XZE118	B 7	0029						
XZE118	B 9	0066						
XZE118	B10	0030						
XZE118	B12	0029						
XZE118	B13	0064						
XZE118	B14	0106						
XZE118	B16	0002						
XZE118	B17	0066						
XZE118	B18	0001						
XZE118	B20	0005						
XZE326	24	0085						
XZE326	25	0084						
XZE326	26	0007						
XZE326	27	0095						
XZE326	30	0007						
XZE326	31	0006						
XZE326	33	0098						
XZE326	34	0017						
XZE326	35	0094						
XZE326	36	0007						
# OF PINS		357						
END OF LISTING								



NETWORK LISTING (TABULAR WIRING DIAGRAM)



TITLE				
MODULE E WIRING OF SUPPLEMENTARY TRANSMITTER SET VS235				
WIRING DIAGRAM	ISSUE	USED ON	DATE	PAGE
7714WD	3	310904	04/21/69	1 OF 5/12

NET	COMPONENT	PIN
0001	XZE103	B18
0001	XZE103	A18
0001	. XZE105	18
0001	. . . XZE106	A25
0001	. . . XZE106	A36
0001	. . XZE108	A25
0001	. . XZE108	A36
0001	. XZE106	A18
0001	. . XZE108	A18
0001	. . . XZE110	A18
0001	. . . . XZE112	A18
0001	. . . . . XZE114	A18
0001	. . . . . XZE116	A18
0001	. . . . . XZE118	A18
0001	. . . . . XZE118	B18
0001	. . . . . XZE116	B18
0001	. . . . . XZE114	B18
0001	. . . . . XZE112	B18
0001	. . . . . XZE110	B18
0001	. . XZE108	B18
0001	. XZE106	B18
0001	XZE102	18
0001	XZE102	2
0001	XZE102	28
0001	CBE	3 2
0002	XZE102	27
0002	XZE102	4
0002	XZE102	16
0002	XZE103	A16
0002	. XZE105	16
0002	. XZE106	A16
0002	. . XZE108	A16
0002	. . . . XZE108	B16
0002	. . . . . XZE110	B25
0002	. . . . . XZE110	A16
0002	. . . . . XZE110	B16
0002	. . . . . XZE110	B11
0002	. . . . . XZE110	B23
0002	. . . . . XZE110	B 2
0002	. . . . . XZE112	A16
0002	. . . . . XZE114	A16
0002	. . . . . XZE116	A16
0002	. . . . . XZE118	A16
0002	. . . . . XZE118	B16
0002	. . . . . JE128	B 2
0002	. . . . . XZE116	B16
0002	. . . . . XZE114	B16
0002	. . . . . XZE112	B16
0002	. . . . XZE110	A30
0002	. . . XZE110	B29
0002	. . XZE108	A23

NET	COMPONENT	PIN
0002	. . XZE108	A33
0002	. XZE106	B16
0002	XZE103	B16
0002	SWE122	1
0002	SWE122	4
0003	XZE103	B30
0003	XZE102	9
0003	XZE118	B 4
0004	XZE102	12
0004	JE128	C 8
0005	XZE103	B20
0005	XZE103	A20
0005	. XZE105	20
0005	. XZE106	A20
0005	. . XZE108	A20
0005	. . . XZE110	A20
0005	. . . . XZE112	A20
0005	. . . . . XZE114	A20
0005	. . . . . XZE116	A20
0005	. . . . . XZE118	A20
0005	. . . . . XZE118	B20
0005	. . . . . XZE116	B20
0005	. . . . . XZE114	B20
0005	. . . . . XZE112	B20
0005	. . . XZE110	B20
0005	. . XZE108	B20
0005	. XZE106	B20
0005	XZE102	20
0005	XZE102	14
0005	XZE102	24
0005	CBE	4 2
0006	XZE102	15
0006	XZE102	26
0006	. CBE	2
0006	XZE105	31
0006	. XZE105	32
0006	. . XZE105	35
0006	. . XZE326	31
0006	. XZE105	33
0006	XZE105	10
0006	XZE105	11
0006	XZE105	14
0007	XZE102	22
0007	XZE326	26
0007	XZE326	30
0007	XZE326	36
0008	XZE102	29

SEE ISSUE CONTROL RECORD FOR COMPLETE LIST OF SHEETS COMPRISING THIS W.D.

REVISION INFORMATION MUST ALSO BE REFLECTED ON THE ISSUE CONTROL RECORD, WHICH IS A PART OF THIS DRAWING.



MODULE E WIRING OF SUPPLEMENTARY TRANSMITTER SET VS295			
WIRING DIAGRAM 7714WD	ISSUE 3	USED ON 310904	DATE 04/21/69
		PAGE 2	OF 5 1/2

NET	COMPONENT	PIN
0008	XZE110	A13
0009	XZE102	30
0009	XZE102	36
0010	XZE102	31
0010	XZE110	32
0010	XZE114	33
0011	XZE102	32
0011	XZE108	B 5
0011	XZE110	B34
0012	XZE102	33
0012	XZE110	B 3
0012	XZE114	A 1
0013	XZE102	34
0013	XZE110	B34
0013	XZE112	A35
0014	XZE102	35
0014	XZE108	A 5
0014	XZE102	39
0014	XZE110	B22
0014	XZE106	B 2
0015	XZE103	A 1
0015	XZE110	A23
0016	XZE103	B22
0016	XZE103	A 7
0016	XZE116	A 7
0016	XZE116	A 9
0017	XZE110	A 2
0017	XZE103	A 9
0017	XZE326	34
0018	XZE103	B 4
0018	XZE103	A10
0018	XZE118	A 7
0019	XZE103	A11
0019	XZE103	A35
0020	XZE103	A14
0020	XZE116	A11
0020	XZE116	A14
0021	XZE103	B13
0021	XZE103	A17
0021	XZE118	A 6

NET	COMPONENT	PIN
0022	XZE103	A24
0022	XZE103	A21
0022	XZE108	B 3
0022	XZE108	B 6
0022	XZE108	A10
0022	XZE114	B23
0022	XZE114	A24
0022	XZE110	A25
0022	XZE112	A30
0023	XZE103	A26
0023	XZE103	B12
0024	XZE103	B31
0024	XZE103	A27
0024	XZE112	A25
0025	XZE103	A28
0025	XZE103	A32
0026	XZE103	B20
0026	XZE103	A33
0026	XZE112	B24
0027	XZE103	A36
0027	XZE103	A10
0027	XZE110	A11
0027	XZE110	B13
0027	XZE103	B17
0028	XZE108	B 1
0028	XZE110	B 9
0029	XZE103	B23
0029	XZE103	B 5
0029	XZE106	B 5
0029	XZE116	B 2
0029	XZE118	B 7
0029	XZE118	B12
0029	XZE112	B32
0029	XZE106	B 6
0029	XZE106	A10
0030	XZE103	B 6
0030	XZE118	B10
0031	XZE103	B 9
0031	XZE116	B 6
0032	XZE103	B25
0032	XZE112	B35
0032	XZE112	B33



**MODULE E WIRING OF SUPPLEMENTARY TRANSMITTER SET VS235**

WIRING DIAGRAM <b>7714WD</b>	ISSUE <b>3</b>	USED ON <b>310904</b>	DATE <b>04/21/69</b>	PAGE <b>3 OF 5/12</b>
---------------------------------	-------------------	--------------------------	-------------------------	--------------------------

NET	COMPONENT	PIN
0033	XZE103	B27
0033	XZE116	B26
0034	XZE109	B32
0034	XZE110	B33
0034	XZE108	A 9
0035	XZE103	B34
0035	XZE110	A35
0036	XZE105	1
0036	JE128	G 7
0037	XZE108	2
0037	XZE108	A 1
0038	XZE105	4
0038	JE128	H 8
0039	XZE105	9
0039	XZE109	B 1
0039	XZE110	A33
0040	XZE105	22
0040	JE128	G 9
0041	XZE105	23
0041	XZE106	A 1
0042	XZE108	24
0042	JE128	G 8
0043	XZE105	25
0043	JE128	G10
0044	XZE105	30
0044	XZE106	B 4
0045	XZE105	36
0045	XZE106	B 1
0046	XZE106	A 4
0046	XZE110	B10
0046	XZE110	A14
0047	XZE106	A 9
0047	XZE114	B14
0047	XZE114	B22
0047	• JE128	F 8
0047	XZE112	A31
0048	XZE108	A12

NET	COMPONENT	PIN
0048	XZE108	B27
0049	XZE108	A22
0049	XZE108	A27
0050	XZE108	A31
0050	XZE108	A34
0051	XZE108	B 4
0051	XZE108	B 8
0051	XZE108	A32
0051	XZE110	A24
0052	XZE108	B 9
0052	XZE108	B10
0053	XZE108	B11
0053	XZE110	B24
0054	XZE110	A 1
0054	XZE116	A28
0054	• XZE116	B29
0054	XZE116	A28
0055	XZE110	A12
0055	XZE118	A17
0056	XZE110	B12
0056	XZE110	A22
0056	XZE116	A26
0056	XZE116	A24
0057	XZE110	A34
0057	JE128	C 7
0058	XZE110	B36
0058	XZE110	A36
0058	XZE114	A33
0058	XZE114	B27
0058	XZE114	B26
0059	XZE110	B 1
0059	XZE114	A28
0060	XZE110	B14
0060	XZE114	A10
0061	XZE110	B27
0061	XZE110	B32
0061	XZE118	A 9
0062	XZE110	B35
0062	XZE114	A26



MODULE E WIRING OF SUPPLEMENTARY TRANSMITTER SET VS235			
WIRING DIAGRAM 7714WD	ISSUE 3	USED ON 310904	DATE 04/21/69
		PAGE 4	OF 5/12

NET	COMPONENT	PIN
0063	XZE112	A24
0063	XZE112	B26
0063	XZE114	B32
0064	XZE112	B25
0064	XZE112	A32
0064	XZE118	B13
0065	XZE112	B36
0065	XZE112	A36
0065	XZE114	A17
0065	XZE114	B11
0066	XZE112	B31
0066	XZE118	B 9
0066	XZE118	B17
0067	XZE114	A 7
0067	XZE114	A 9
0068	XZE114	A11
0068	XZE114	A14
0069	XZE114	A21
0069	JE128	D 8
0070	XZE114	A27
0070	JE128	D 7
0071	XZE114	A36
0071	XZE114	B28
0071	JE128	E 8
0072	XZE114	B10
0072	XZE114	B 1
0072	JE128	B 7
0073	XZE114	B 2
0073	JE128	A 7
0074	XZE114	B 4
0074	JE128	A 8
0075	XZE114	B 6
0075	XZE114	B 9
0075	XZE114	B12
0076	XZE114	B 7
0076	SWE122	2
0077	XZE114	B30
0077	JE128	B 1

NET	COMPONENT	PIN
0078	XZE114	B34
0078	JE128	F 7
0079	XZE116	A 6
0079	JE128	A10
0080	XZE116	B 4
0080	XZE116	A10
0080	JE128	B10
0081	XZE116	A17
0081	XZE116	B12
0081	JE128	F 9
0082	XZE116	A27
0082	XZE116	B22
0082	JE128	H 9
0083	XZE116	A36
0083	JE128	B 8
0084	XZE116	B 9
0084	XZE326	25
0085	XZE116	B10
0085	XZE326	24
0086	XZE116	B14
0086	JE128	F10
0087	XZE116	B25
0087	JE128	H10
0088	XZE116	B27
0088	XZE118	A14
0089	XZE116	B28
0089	JE128	E10
0090	XZE116	B34
0090	XZE116	B30
0090	JE128	B 9
0091	XZE116	B32
0091	JE128	A 9
0092	JE128	A 3
0092	CBE 4	1
0093	JE128	C 1
0093	CBE 3	1





<b>TITLE</b> MODULE E WIRING OF SUPPLEMENTARY TRANSMITTER SET VS235			
<b>WIRING DIAGRAM</b> 7714WD	<b>ISSUE</b> 3	<b>USED ON</b> 310904	<b>DATE</b> 04/21/69
			<b>PAGE</b> 5 OF 5/12

NET	COMPONENT	PIN
0094	JE128	C 9
0094	XZE326	35
0095	JE128	C10
0095	XZE326	27
0096	JE128	D 1
0096	XZE118	A10
0097	JE128	D 2
0097	JE228	2
0097	JE 1	3
0098	JE128	D 9
0098	XZE326	33
0099	JE128	D10
0099	XZE118	B 6
0100	JE128	E 1
0100	CBE 2	1
0101	JE128	E 7
0101	XZE118	A 1
0102	JE228	1
0102	CBE 1	1
0103	JE228	3
0103	JE 1	2
0104	CBE 1	2
0104	JE 1	1
0105	XZE118	A11
0105	XZE118	B 5
0106	XZE118	B14
0106	SWE122	5

NUMBER OF WIRES - 251

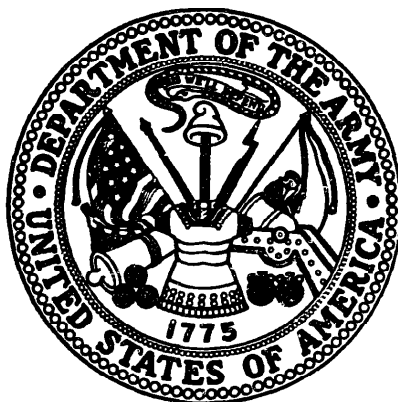
END OF LISTING

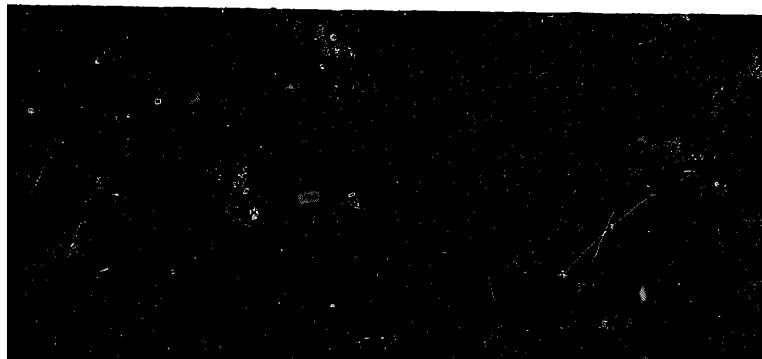
NET	COMPONENT	PIN
-----	-----------	-----

**END**

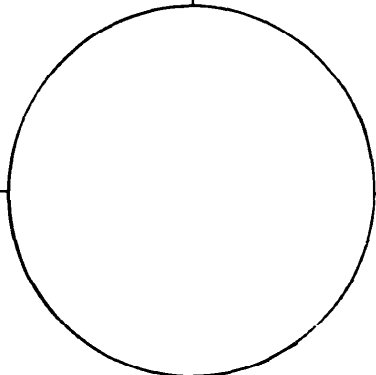
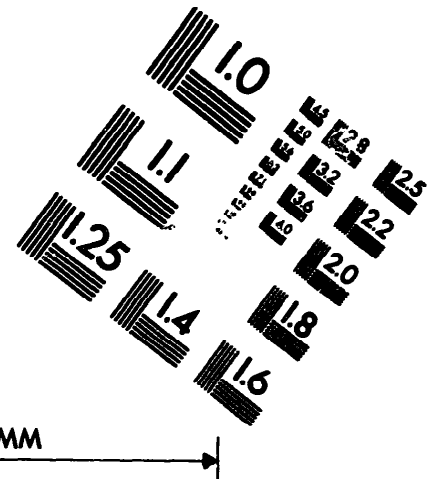
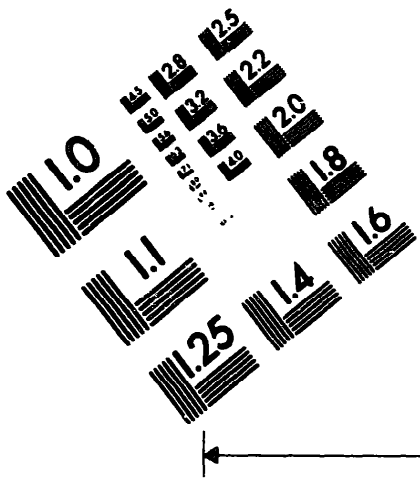
**11-19-82**

**DATE**





DEPARTMENT OF THE ARMY  
MICROFORM  
TEST TARGET



150 MM

1.0 mm (e= 81 mm)

ABCDEFGHIJKLMN OPQRSTUVWXYZ 1234567890  
abcdefghijklmnopqrstuvwxyz \$%& /%# 1/2 1/4 3/4 —=+ x&@\*

1.5 mm (e= 109 mm)

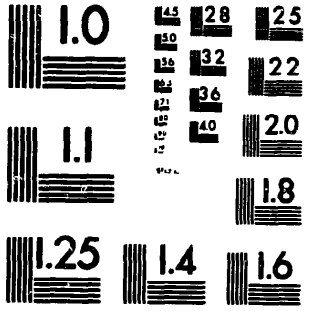
ABCDEFGHIJKLMN OPQRSTUVWXYZ 1234567890  
abcdefghijklmnopqrstuvwxyz \$%& /%# 1/2 1/4 3/4 —=+ x&@\*

2.0 mm (e= 1.37 mm)

ABCDEFGHIJKLMN OPQRSTUVWXYZ  
abcdefghijklmnopqrstuvwxyz  
1234567890 \$%& /%# 1/2 1/4 3/4 —=+ x&@\*

2.5 mm (e= 1.77 mm)

ABCDEFGHIJKLMN OPQRSTUVWXYZ  
abcdefghijklmnopqrstuvwxyz  
1234567890 \$%& /%# 1/2 1/4 3/4 —=+ x&@\*



1.0 mm (e= 81 mm)

ABCDEFGHIJKLMN OPQRSTUVWXYZ 1234567890  
abcdefghijklmnopqrstuvwxyz \$%& /%# 1/2 1/4 3/4 —=+ x&@\*

1.5 mm (e= 109 mm)

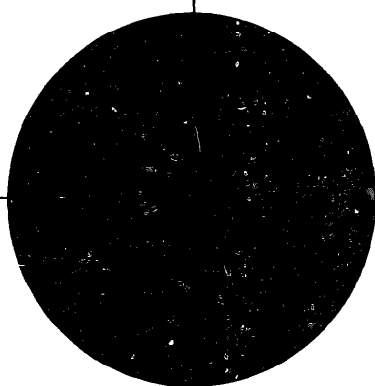
ABCDEFGHIJKLMN OPQRSTUVWXYZ 1234567890  
abcdefghijklmnopqrstuvwxyz \$%& /%# 1/2 1/4 3/4 —=+ x&@\*

2.0 mm (e= 1.37 mm)

ABCDEFGHIJKLMN OPQRSTUVWXYZ  
abcdefghijklmnopqrstuvwxyz  
1234567890 \$%& /%# 1/2 1/4 3/4 —=+ x&@\*

2.5 mm (e= 1.77 mm)

ABCDEFGHIJKLMN OPQRSTUVWXYZ  
abcdefghijklmnopqrstuvwxyz  
1234567890 \$%& /%# 1/2 1/4 3/4 —=+ x&@\*



200 MM

250 MM

